



Chipsmall Limited consists of a professional team with an average of over 10 year of expertise in the distribution of electronic components. Based in Hongkong, we have already established firm and mutual-benefit business relationships with customers from,Europe,America and south Asia,supplying obsolete and hard-to-find components to meet their specific needs.

With the principle of “Quality Parts,Customers Priority,Honest Operation,and Considerate Service”,our business mainly focus on the distribution of electronic components. Line cards we deal with include Microchip,ALPS,ROHM,Xilinx,Pulse,ON,Everlight and Freescale. Main products comprise IC,Modules,Potentiometer,IC Socket,Relay,Connector.Our parts cover such applications as commercial,industrial, and automotives areas.

We are looking forward to setting up business relationship with you and hope to provide you with the best service and solution. Let us make a better world for our industry!



Contact us

Tel: +86-755-8981 8866 Fax: +86-755-8427 6832

Email & Skype: info@chipsmall.com Web: www.chipsmall.com

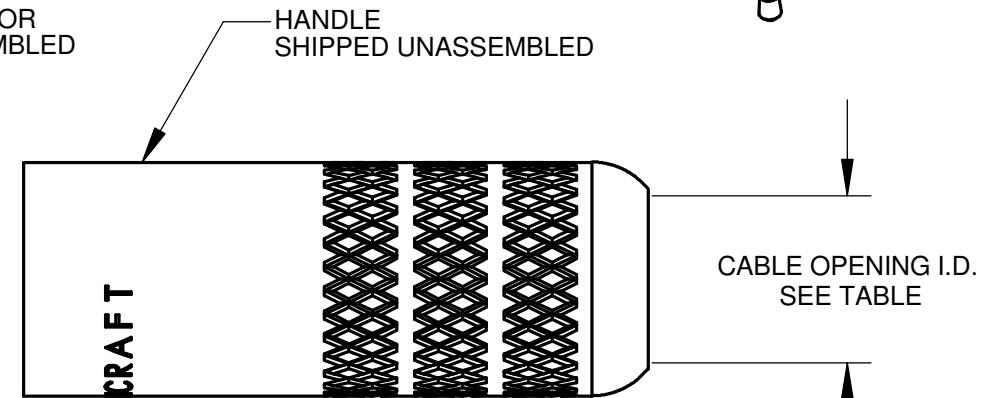
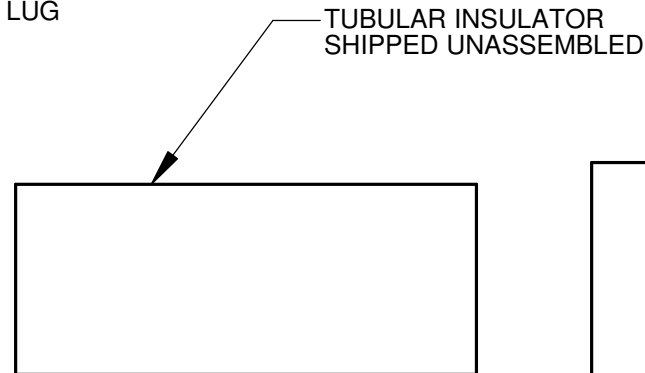
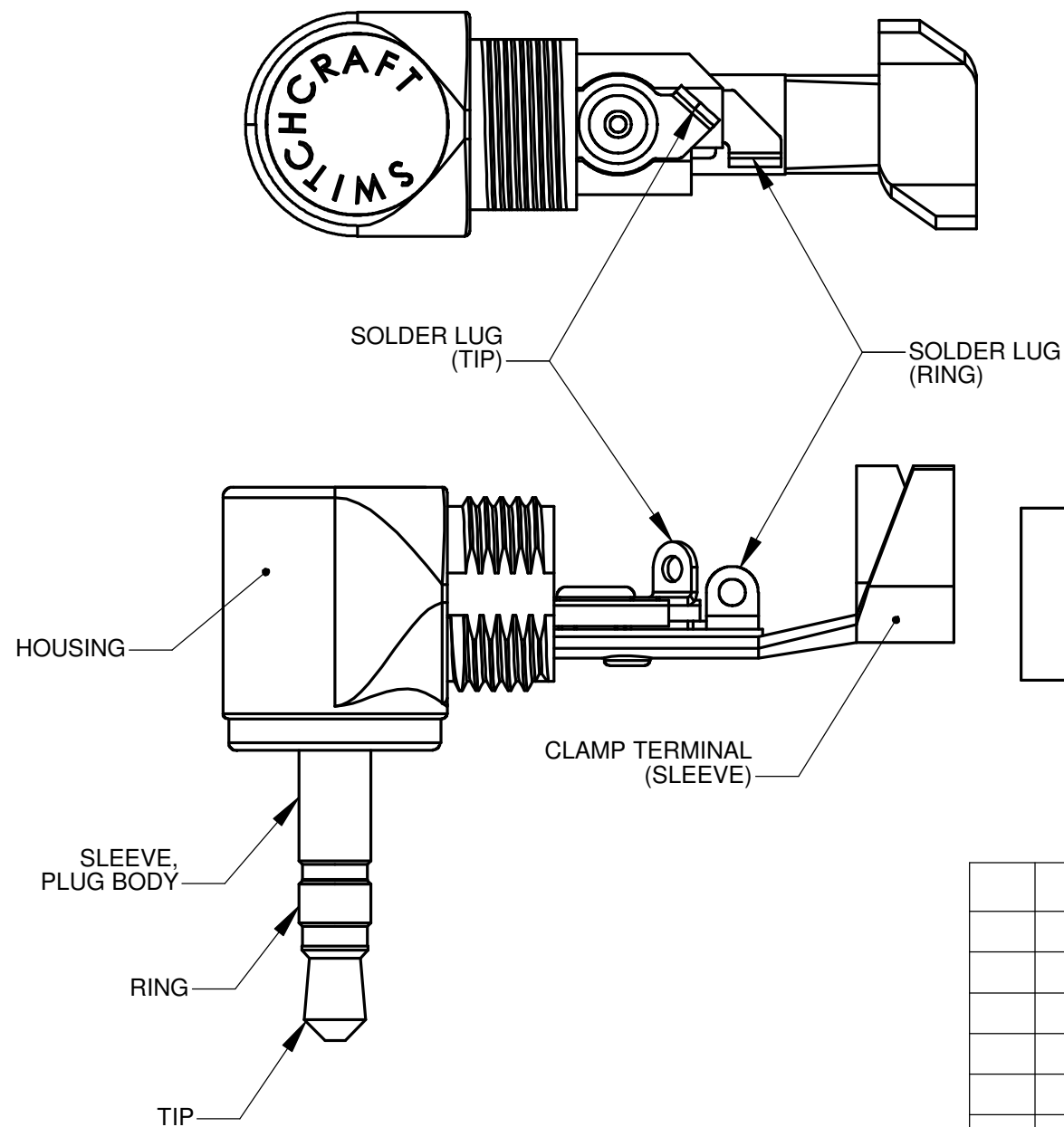
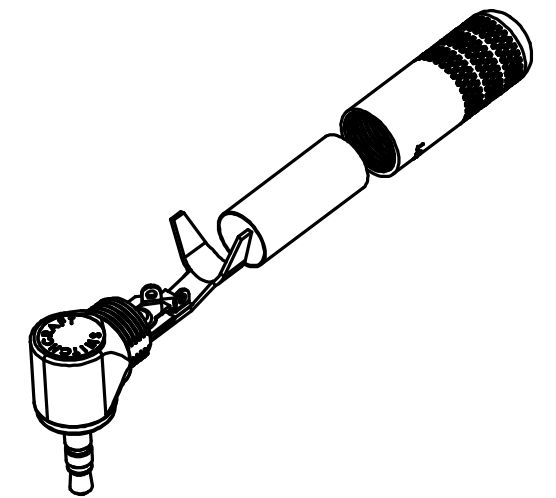
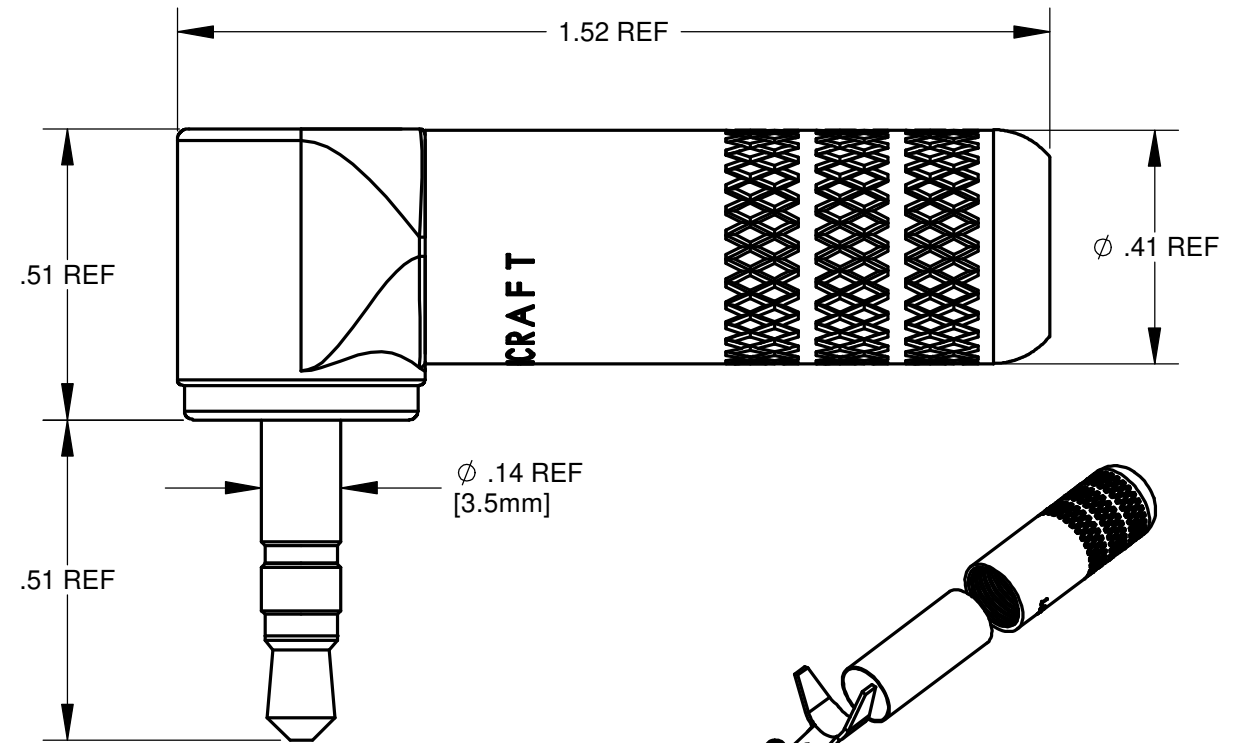
Address: A1208, Overseas Decoration Building, #122 Zhenhua RD., Futian, Shenzhen, China



PART NUMBER	PLUG FINGER	HANDLE	HANDLE CABLE OPENING I.D.
35HDRABAU	GOLD	BLACK	0.29
35HDRABAUS	GOLD	BLACK	0.175
35HDRANAU	GOLD	NICKEL	0.29
35HDRANAUS	GOLD	NICKEL	0.175
35HDRANN	NICKEL	NICKEL	0.29
35HDRANNS	NICKEL	NICKEL	0.175

MATERIALS:

- PLUG MOLDING COMPOUND - L.C.P. BLACK
- SLEEVE, PLUG BODY - BRASS, NICKEL OR GOLD PLATED
- RING SLEEVE - BRASS, NICKEL OR GOLD PLATED
- TIP ROD - BRASS, NICKEL OR GOLD PLATED
- HOUSING - ZINC, BLACK OR NICKEL PLATED
- TUBULAR INSULATOR - MYLAR, TRANSLUCENT
- HANDLE - BRASS, BLACK OR NICKEL PLATED
- CLAMP TERMINAL - CRS, TIN PLATED
- SOLDER LUGS (TIP & RING) - BRASS, TIN PLATED



CUSTOMER DRAWING

REV	ECO NUMBER	DATE	BY	APVD
A	24662	3-23-04	JL	AKE
REVISIONS				

★ STAR SYMBOL DENOTES CRITICAL DIMENSION

UNLESS OTHERWISE SPECIFIED

- ALL DIMENSIONS IN INCHES
 - TWO PLACE DECIMALS ±0.01
 - THREE PLACE DECIMALS ±0.005
 - ANGLES ±1°
 - ALL DIA. CONCENTRIC WITHIN 0.005 TIR.
- FEATURES ON THE SAME CENTERLINE MUST BE ALIGNED WITHIN ±0.002
- REMOVE ALL BURRS

DO NOT SCALE DRAWING

THIS DRAWING DESCRIBES A DESIGN CONSIDERED PROPRIETARY IN NATURE, DEVELOPED AND MANUFACTURED BY SWITCHCRAFT INC. AND IS RELEASED ON A CONFIDENTIAL BASIS FOR IDENTIFICATION PURPOSES ONLY.									
SIZE *	WIDTH *	MULT *	LBS/M *	TEMPER *					
FINISH *					MATERIAL *				
SPEC No. *					SPEC No. *				
FIRST USED ON *			SCALE 3:1			Switchcraft [®]			
DATE DRAWN	BY	CHKD	APVD						
6-27-00	AKE	AKE	AKE	3-23-04	3-23-04	SHEET 1 OF 1			
NAME					PART No.		REV		
3.5mm RA STEREO PLUG					35HDRA SERIES		A		