



Chipsmall Limited consists of a professional team with an average of over 10 year of expertise in the distribution of electronic components. Based in Hongkong, we have already established firm and mutual-benefit business relationships with customers from,Europe,America and south Asia,supplying obsolete and hard-to-find components to meet their specific needs.

With the principle of "Quality Parts,Customers Priority,Honest Operation,and Considerate Service",our business mainly focus on the distribution of electronic components. Line cards we deal with include Microchip,ALPS,ROHM,Xilinx,Pulse,ON,Everlight and Freescale. Main products comprise IC,Modules,Potentiometer,IC Socket,Relay,Connector.Our parts cover such applications as commercial,industrial, and automotives areas.

We are looking forward to setting up business relationship with you and hope to provide you with the best service and solution. Let us make a better world for our industry!



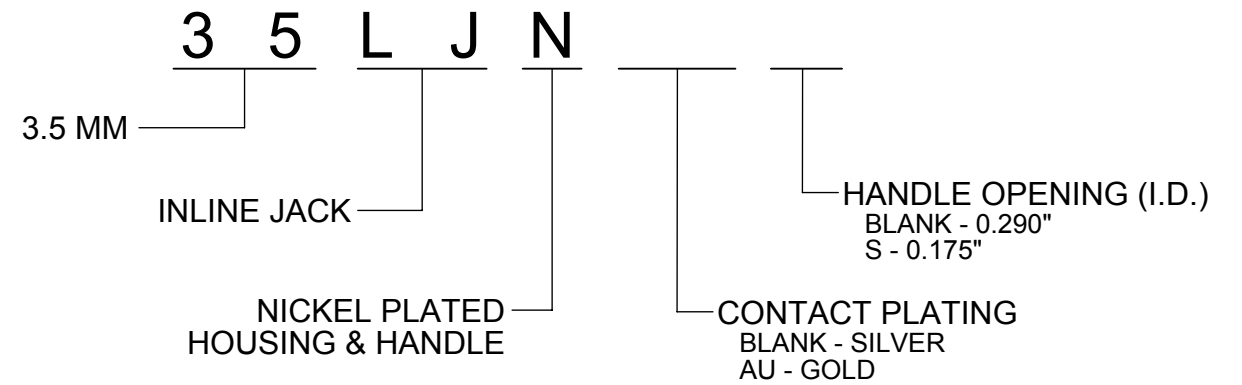
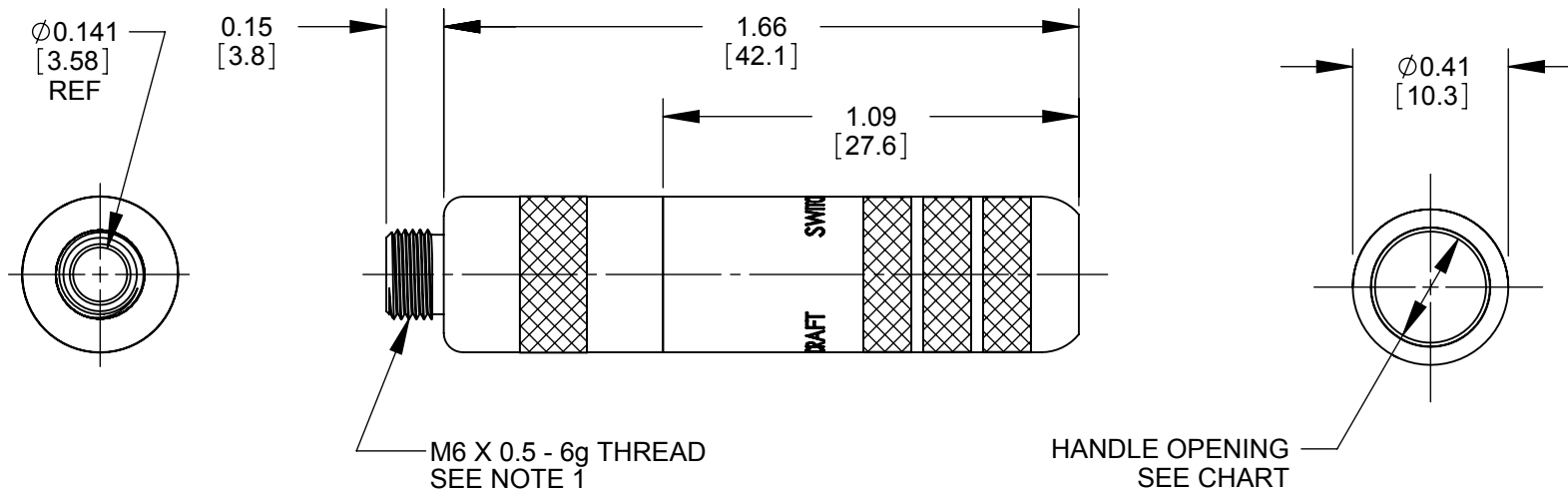
Contact us

Tel: +86-755-8981 8866 Fax: +86-755-8427 6832

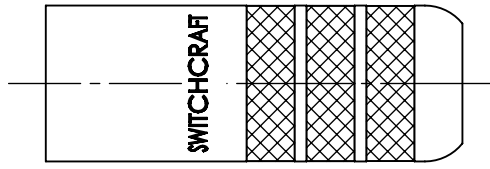
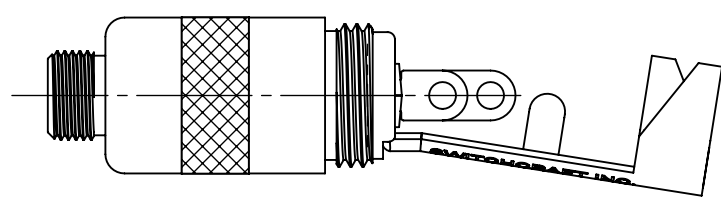
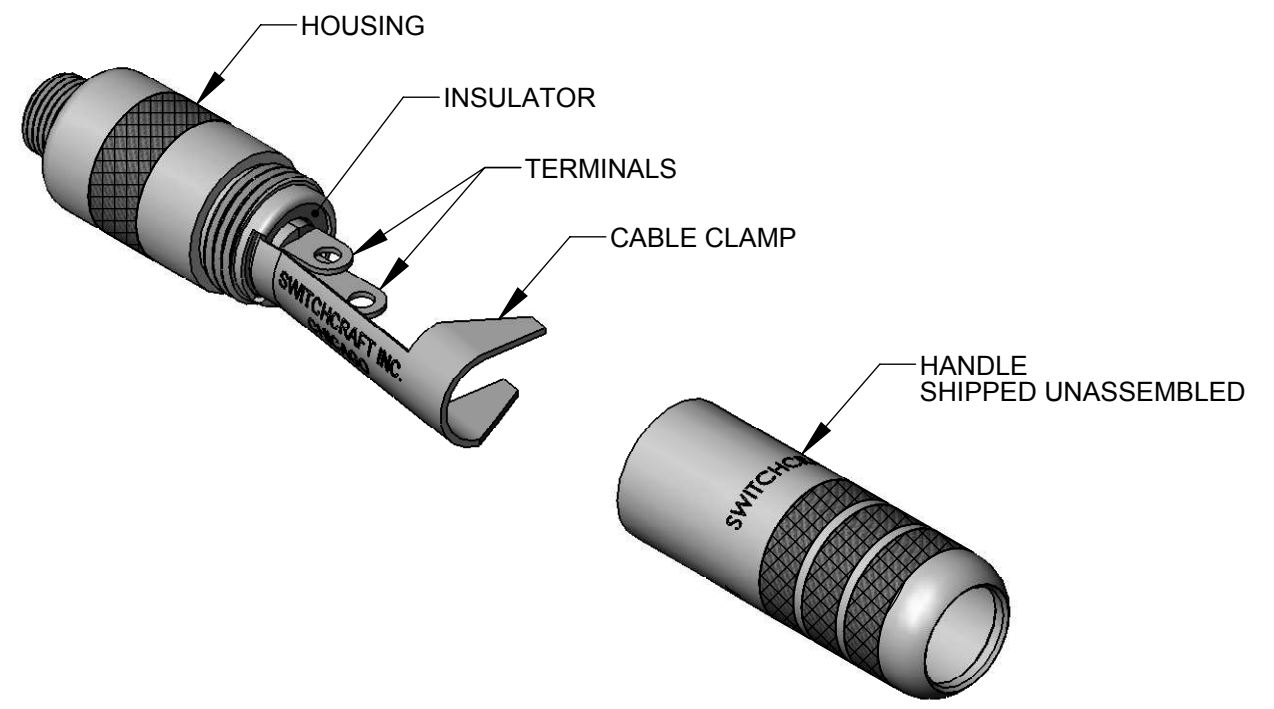
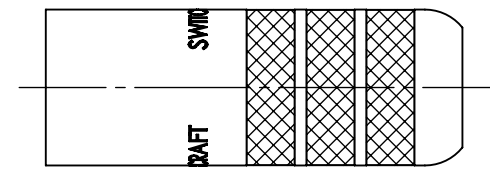
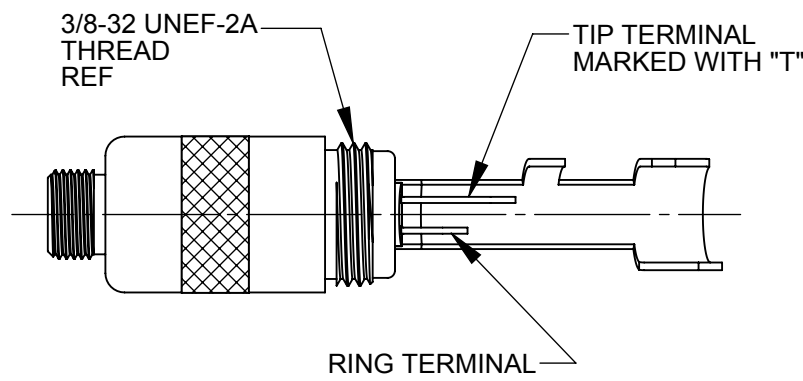
Email & Skype: info@chipsmall.com Web: www.chipsmall.com

Address: A1208, Overseas Decoration Building, #122 Zhenhua RD., Futian, Shenzhen, China





PART NUMBER CHART



CUSTOMER DRAWING

NOTES:

- MATES WITH LOCKING FEATURE OF 35HDL SERIES PLUGS.
- MATERIALS:
HOUSING - COPPER ALLOY, NICKEL PLATED
INSULATOR - THERMOPLASTIC, BLACK
CONTACTS - BERYLLIUM COPPER, SEE CHART FOR PLATING.
CABLE CLAMP - COLD ROLLED STEEL, TIN PLATED.
HANDLE - COPPER ALLOY, NICKEL PLATED.
- THIS PRODUCT IS RoHS COMPLIANT.

| REV | ECO NUMBER | DATE | BY | APVD |
|-----------|------------|----------|-----|------|
| A | 26677 | 01-07-11 | JEB | TJK |
| REVISIONS | | | | |

UNLESS OTHERWISE SPECIFIED

1. ALL DIMENSIONS IN INCHES
- TWO PLACE DECIMALS ±0.02
- THREE PLACE DECIMALS ±0.005

DO NOT SCALE DRAWING

| | | | | | | | | | |
|--|-------|------|-----------|--------|---------------------------------|--|-----|--|--|
| THIS DRAWING DESCRIBES A DESIGN CONSIDERED PROPRIETARY IN NATURE, DEVELOPED AND MANUFACTURED BY SWITCHCRAFT INC. AND IS RELEASED ON A CONFIDENTIAL BASIS FOR IDENTIFICATION PURPOSES ONLY. | | | | | | | | | |
| SIZE | WIDTH | MULT | LBS/M | TEMPER | | | | | |
| FINISH SPEC No. | | | | | MATERIAL SPEC No. | | | | |
| FIRST USED ON | | | SCALE 2:1 | | Switchcraft [®] | | | | |
| DATE DRAWN | BY | CHKD | APVD | | | | | | |
| 09-16-09 | BS | JEB | TJK | | SHEET 1 OF 1 | | | | |
| NAME | | | | | PART No. | | REV | | |
| 3.5 MM EXTENSION JACK, RoHS | | | | | 35LJN_SERIES | | A | | |