



Chipsmall Limited consists of a professional team with an average of over 10 year of expertise in the distribution of electronic components. Based in Hongkong, we have already established firm and mutual-benefit business relationships with customers from,Europe,America and south Asia,supplying obsolete and hard-to-find components to meet their specific needs.

With the principle of “Quality Parts,Customers Priority,Honest Operation,and Considerate Service”,our business mainly focus on the distribution of electronic components. Line cards we deal with include Microchip,ALPS,ROHM,Xilinx,Pulse,ON,Everlight and Freescale. Main products comprise IC,Modules,Potentiometer,IC Socket,Relay,Connector.Our parts cover such applications as commercial,industrial, and automotives areas.

We are looking forward to setting up business relationship with you and hope to provide you with the best service and solution. Let us make a better world for our industry!



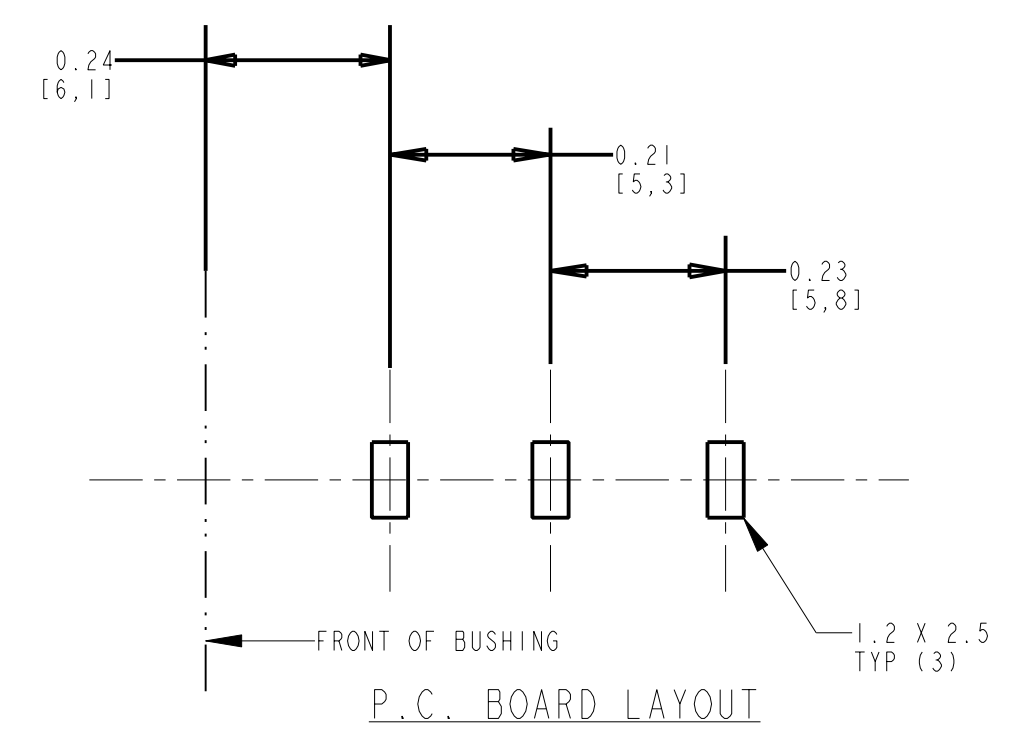
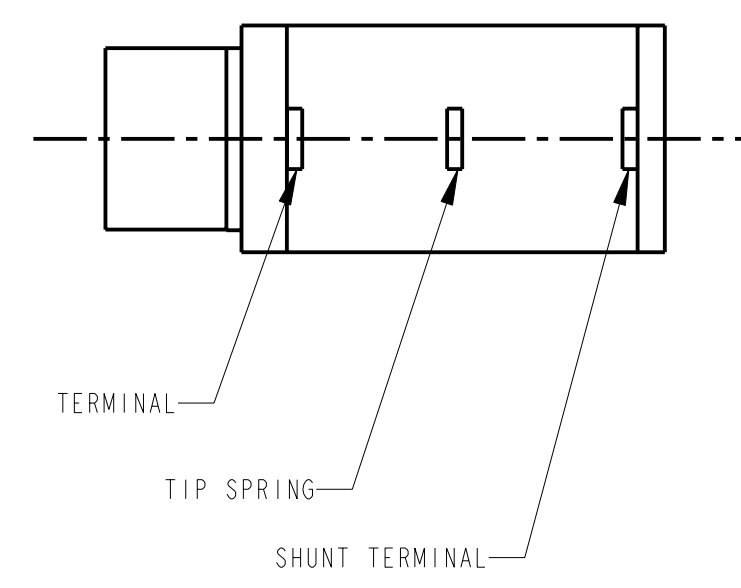
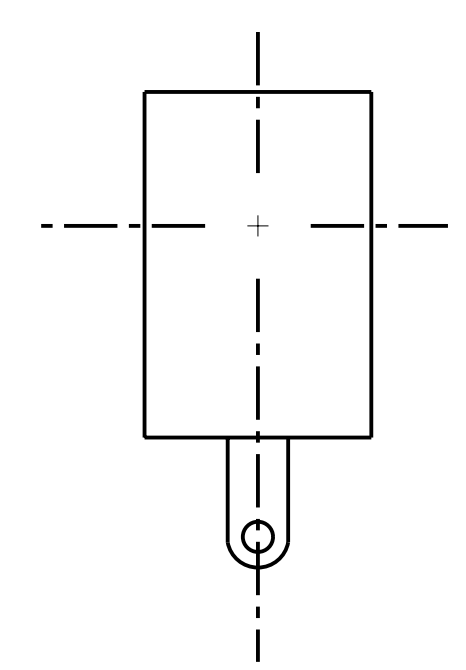
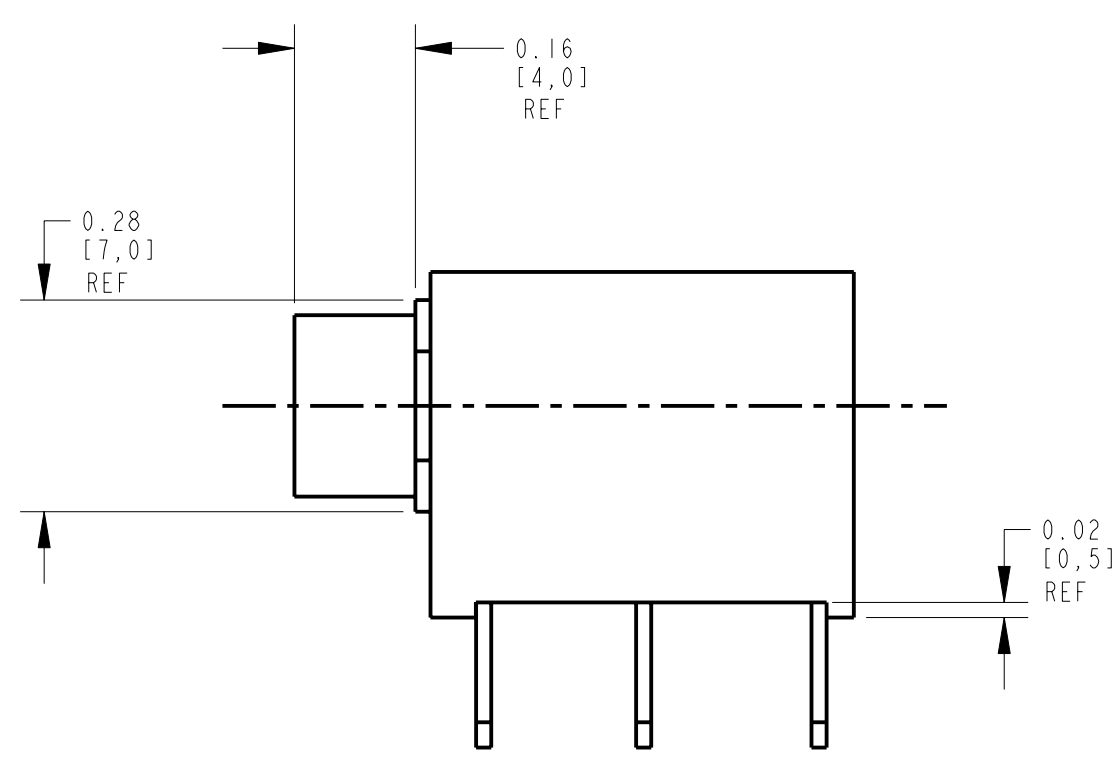
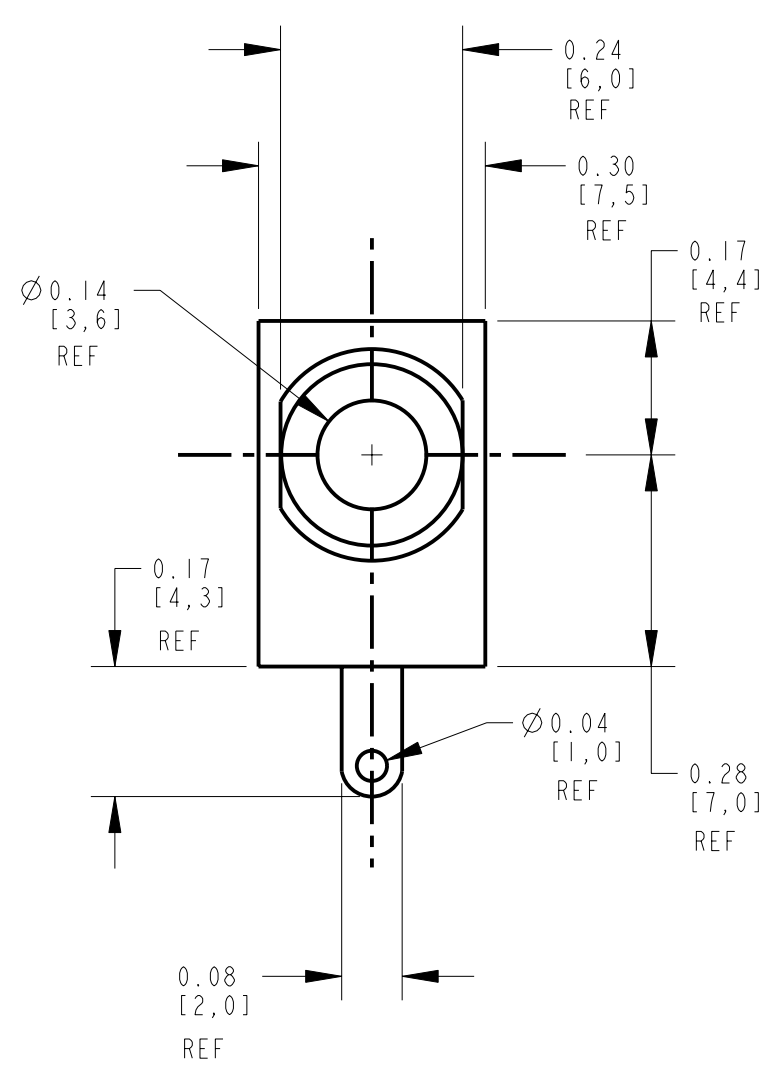
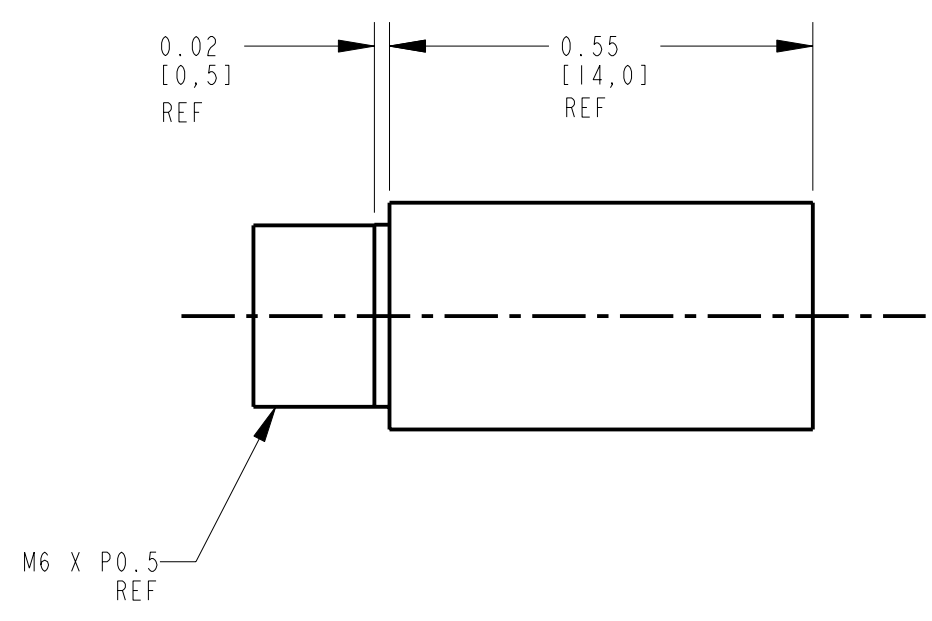
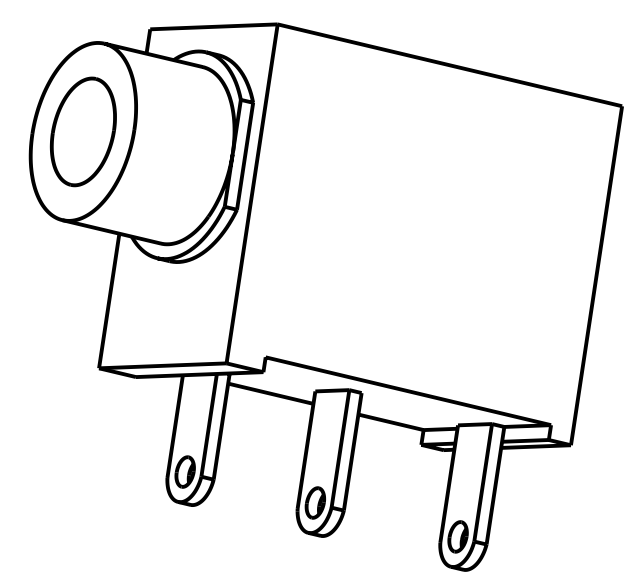
Contact us

Tel: +86-755-8981 8866 Fax: +86-755-8427 6832

Email & Skype: info@chipsmall.com Web: www.chipsmall.com

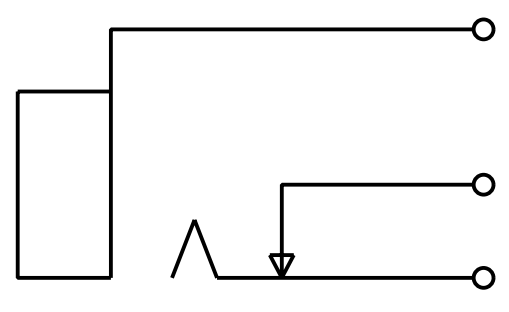
Address: A1208, Overseas Decoration Building, #122 Zhenhua RD., Futian, Shenzhen, China





SPECIFICATIONS:

1. CONTACT RESISTANCE: 20 mΩ MAX
2. INSULATION RESISTANCE: 100 mΩ MIN. AT 250V DC.
3. DIELECTRIC STRENGTH: 250V AC 1 MINUTE.
4. LIFE TEST: JACK SHALL WITHSTAND 5000 CYCLES OF INSERTION AND WITHDRAWAL WITH TESTING PLUG, AFTER TEST THE CONTACT RESISTANCE SHALL NOT EXCEED 0.1 Ω
5. MEASURING CONDITION: TEMPERATURE FROM 5°C TO 35°C
RELATIVE HUMIDITY FOR 40% TO 85%.
6. INSERTION FORCE: 0.4Kg~1.6Kg.
7. WITHDRAWAL FORCE: 0.4Kg~1.2Kg.



CIRCUIT DIAGRAM

CUSTOMER DRAWING

★ STAR SYMBOL DENOTES CRITICAL DIMENSION				THIS DRAWING DESCRIBES A DESIGN CONSIDERED PROPRIETARY IN NATURE, DEVELOPED AND MANUFACTURED BY SWITCHCRAFT INC. AND IS RELEASED ON A CONFIDENTIAL BASIS FOR IDENTIFICATION PURPOSES ONLY.				
UNLESS OTHERWISE SPECIFIED				SIZE	WIDTH	MULT	LBS/M	TEMPER
1. ALL DIMENSIONS IN INCHES				FINISH				MATERIAL
- TWO PLACE DECIMALS ±0.01				SPEC No.				SPEC No.
- THREE PALCE DECIMALS ±0.005				FIRST USED ON				SCALE
- FRACTIONAL DIMENSIONS ±1/64				DATE DRAWN				4.000
- ANGLES ±1°				BY	CHKD	APVD		
- ALL DIA. CONCENTRIC WITHIN 0.005 T.I.R.				28-Oct-93	LR	JC		
2. FEATURES ON THE SAME CENTERLINE MUST BE ALIGNED WITHIN ±0.002				NAME	3.5 MM MONO JACK			PART No.
3. REMOVE ALL BURRS				DO NOT SCALE DRAWING			SHEET OF	
REVISIONS				REV				B
REV	ECO NUMBER	DATE	BY	APVD	35RAPC2AV			REV