



Chipsmall Limited consists of a professional team with an average of over 10 year of expertise in the distribution of electronic components. Based in Hongkong, we have already established firm and mutual-benefit business relationships with customers from,Europe,America and south Asia,supplying obsolete and hard-to-find components to meet their specific needs.

With the principle of "Quality Parts,Customers Priority,Honest Operation,and Considerate Service",our business mainly focus on the distribution of electronic components. Line cards we deal with include Microchip,ALPS,ROHM,Xilinx,Pulse,ON,Everlight and Freescale. Main products comprise IC,Modules,Potentiometer,IC Socket,Relay,Connector.Our parts cover such applications as commercial,industrial, and automotives areas.

We are looking forward to setting up business relationship with you and hope to provide you with the best service and solution. Let us make a better world for our industry!



Contact us

Tel: +86-755-8981 8866 Fax: +86-755-8427 6832

Email & Skype: info@chipsmall.com Web: www.chipsmall.com

Address: A1208, Overseas Decoration Building, #122 Zhenhua RD., Futian, Shenzhen, China

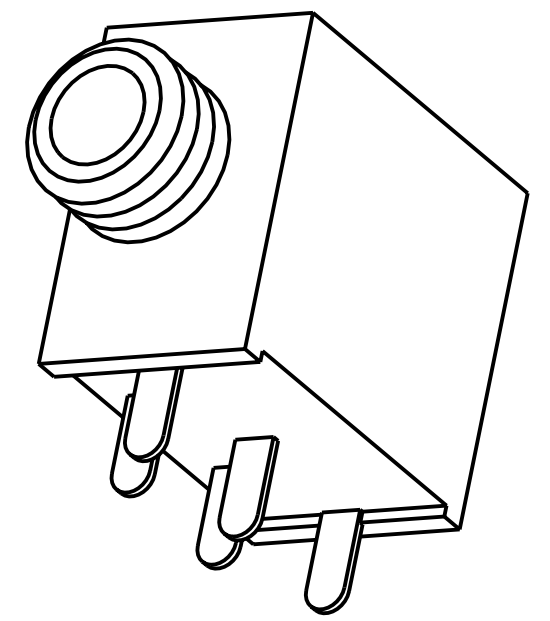
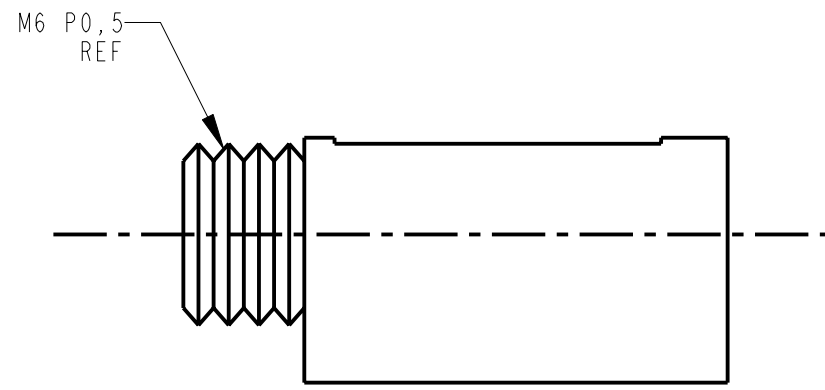


SPECIFICATIONS

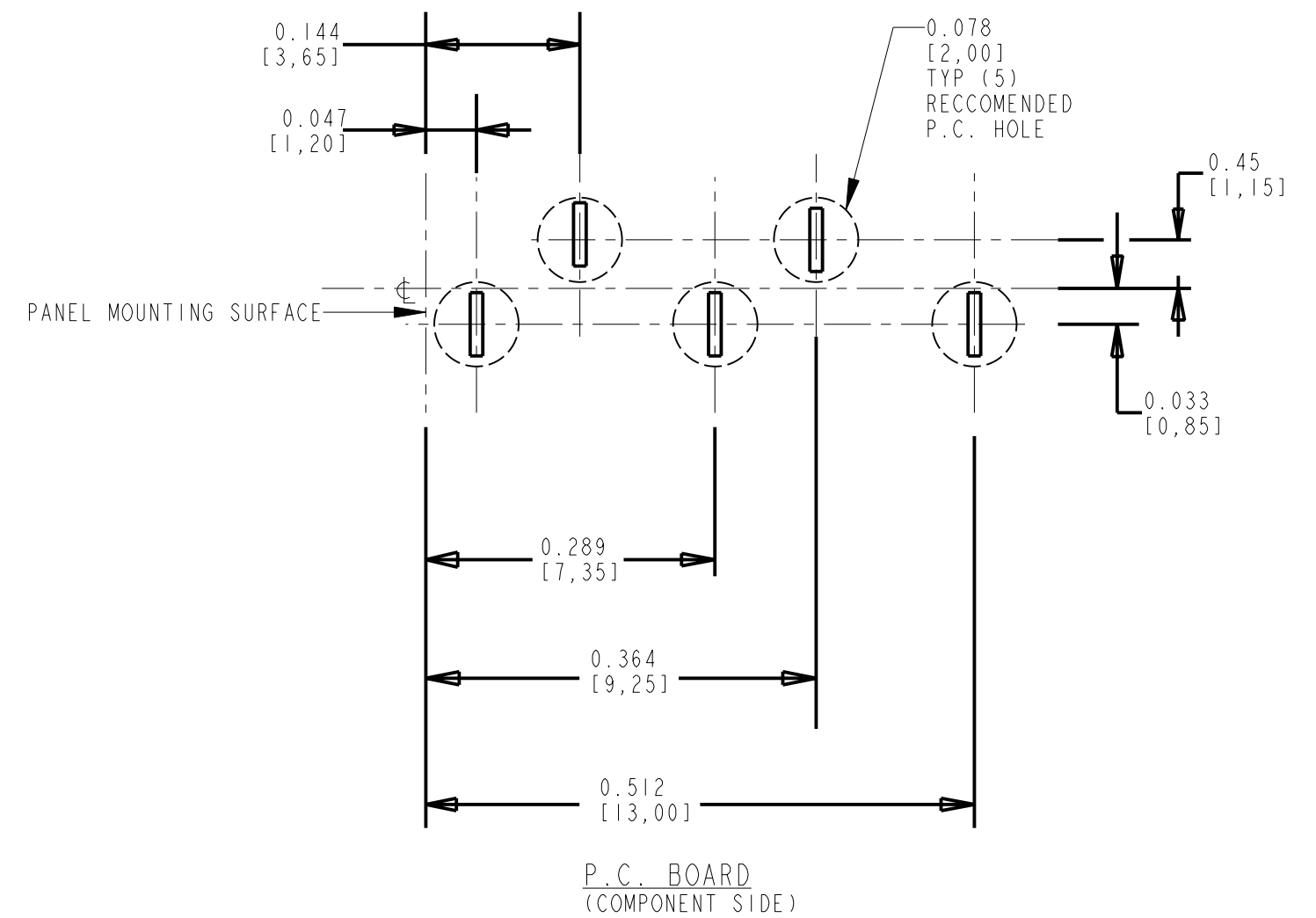
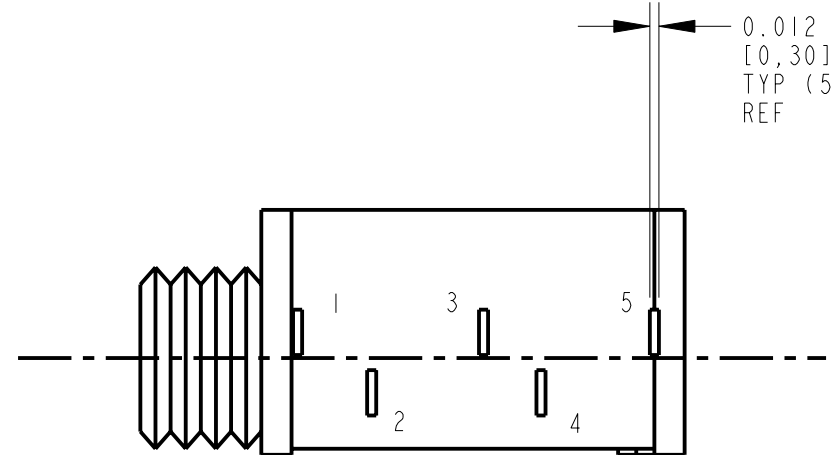
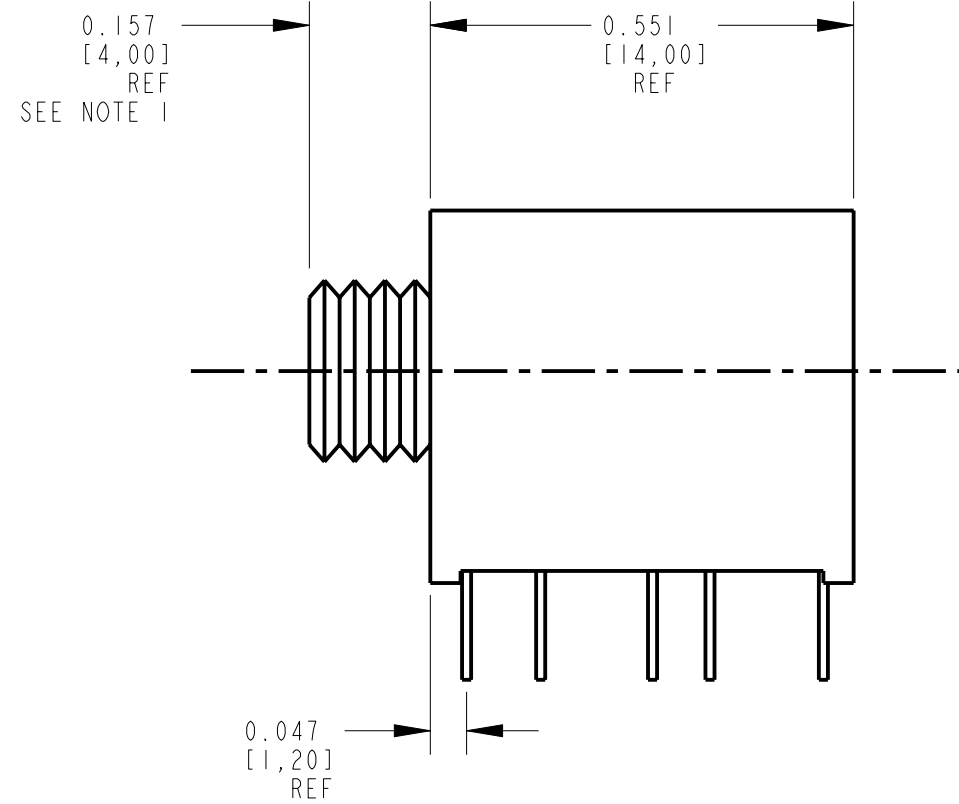
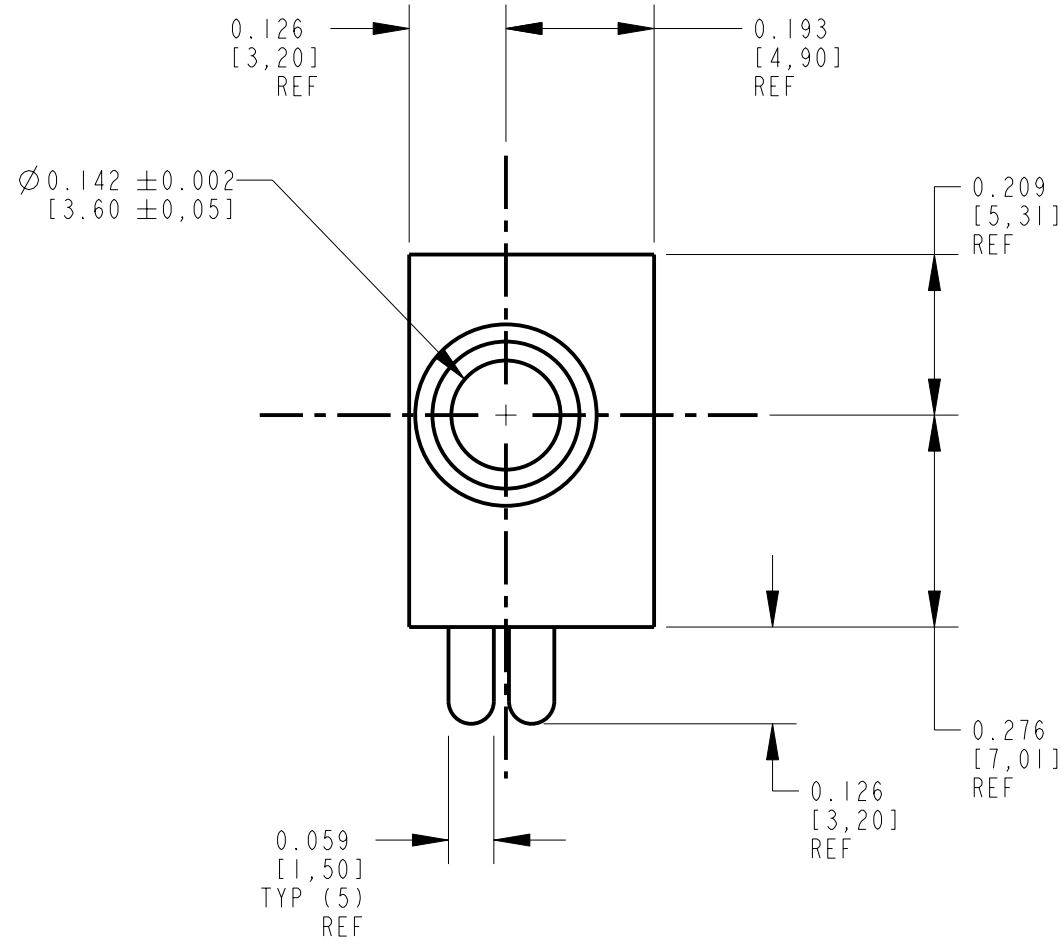
ELECTRICAL:
 CONTACT RESISTANCE: 20 MILLIOHMS MAX, INITIAL
 50 MILLIOHMS MAX, AFTER LIFE
 INSULATION RESISTANCE: 50 MEGAOHMS MIN. AT 500 VDC
 DIELECTRIC WITHSTANDING VOLTAGE: 250 VAC

MECHANICAL:
 LIFE: 5000 CYCLES
 INSERTION FORCE: 0,4 KG TO 1,6 KG
 WITHDRAWAL FORCE: 0,4 KG TO 1,4 KG

MATERIALS:
 HOUSING: PBT +15% GLASS FILLED, BLACK, UL94V0
 BUSHING: BRASS, NICKEL PLATED
 SPRINGS: PHOSPHOR BRONZE, TIN PLATED
 COVER: POLYCARBONATE, CLEAR, UL94V0.



SCALE 4:1



| PART NO. | SCHEMATIC | PART REV |
|------------|-----------|----------|
| 35RAPC3BV4 | | B |
| 35RAPC4BV4 | | C |
| 35RAPC2BV4 | | C |
| 35RAPC2AV4 | | B |

SUPPLIED WITH KNURL NUT.

| REV | ECO NUMBER | DATE | BY | APVD |
|-----|-------------|---------|----|------|
| D | ECO #20278 | 11-5-96 | MM | EBR |
| C | ECO #19567 | 5-5-95 | SG | GHJ |
| B | ECO #19058 | 6-29-94 | LR | EBR |
| A | FIRST DRAWN | 12-7-93 | LR | EBR |

★ STAR SYMBOL DENOTES CRITICAL DIMENSION
 UNLESS OTHERWISE SPECIFIED
 1. ALL DIMENSIONS IN INCHES
 - TWO PLACE DECIMALS ±0.01
 - THREE PLACE DECIMALS ±0.005
 - FRACTIONAL DIMENSIONS ±1/64
 - ANGLES ±1°
 - ALL DIA. CONCENTRIC WITHIN 0.005 T.I.R.
 2. FEATURES ON THE SAME CENTERLINE MUST BE ALIGNED WITHIN ±0.002
 3. REMOVE ALL BURRS
 DO NOT SCALE DRAWING

THIS DRAWING DESCRIBES A DESIGN CONSIDERED PROPRIETARY IN NATURE, DEVELOPED AND MANUFACTURED BY SWITCHCRAFT INC. AND IS RELEASED ON A CONFIDENTIAL BASIS FOR IDENTIFICATION PURPOSES ONLY.

| | | | | |
|---------------|-------|-----------------------------|----------|-----------|
| SIZE | WIDTH | MULT | LBS/M | TEMPER |
| FINISH | | MATERIAL | | |
| SPEC No. | | SPEC No. | | |
| FIRST USED ON | | SCALE | | |
| DATE DRAWN | | BY | CHKD | APVD |
| 7-Dec-93 | | LR | 12-10-93 | EBR |
| NAME | | 3.5 MM VERTICAL STEREO JACK | | PART No. |
| | | | | 35RAPC_V4 |
| REV | | SHEET | | OF |
| D | | 1 | | 1 |

Switchcraft

CUSTOMER DRAWING