



Chipsmall Limited consists of a professional team with an average of over 10 year of expertise in the distribution of electronic components. Based in Hongkong, we have already established firm and mutual-benefit business relationships with customers from,Europe,America and south Asia,supplying obsolete and hard-to-find components to meet their specific needs.

With the principle of “Quality Parts,Customers Priority,Honest Operation,and Considerate Service”,our business mainly focus on the distribution of electronic components. Line cards we deal with include Microchip,ALPS,ROHM,Xilinx,Pulse,ON,Everlight and Freescale. Main products comprise IC,Modules,Potentiometer,IC Socket,Relay,Connector.Our parts cover such applications as commercial,industrial, and automotives areas.

We are looking forward to setting up business relationship with you and hope to provide you with the best service and solution. Let us make a better world for our industry!



Contact us

Tel: +86-755-8981 8866 Fax: +86-755-8427 6832

Email & Skype: info@chipsmall.com Web: www.chipsmall.com

Address: A1208, Overseas Decoration Building, #122 Zhenhua RD., Futian, Shenzhen, China



NOTES:

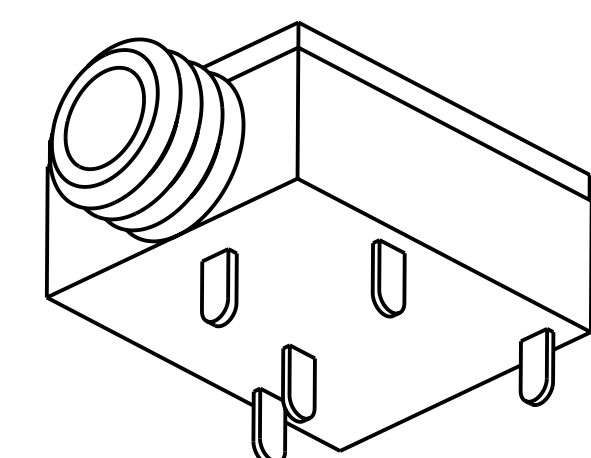
1. ELECTRICAL:
 CONTACT RESISTANCE: 20 MILLIOHMS MAX. INITIAL
 100 MILLIOHMS MAX. AFTER LIFE
 INSULATION RESISTANCE: 100 MEGAOHMS MIN.
 DIELECTRIC WITH STANDING VOLTAGE: 250 VAC.

2. MECHANICAL:
 LIFE: 5000 CYCLES
 INSERTION FORCE: 0,4 KG TO 1,6 KG
 WITHDRAWAL FORCE: 0,4 KG TO 1,4 KG

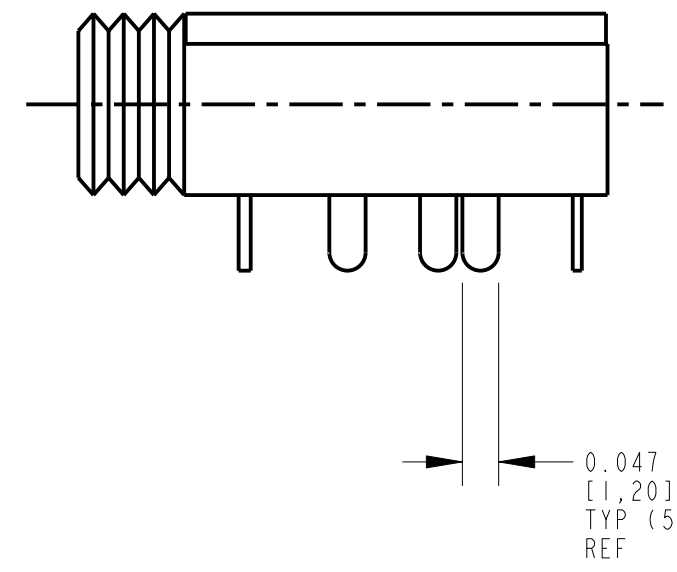
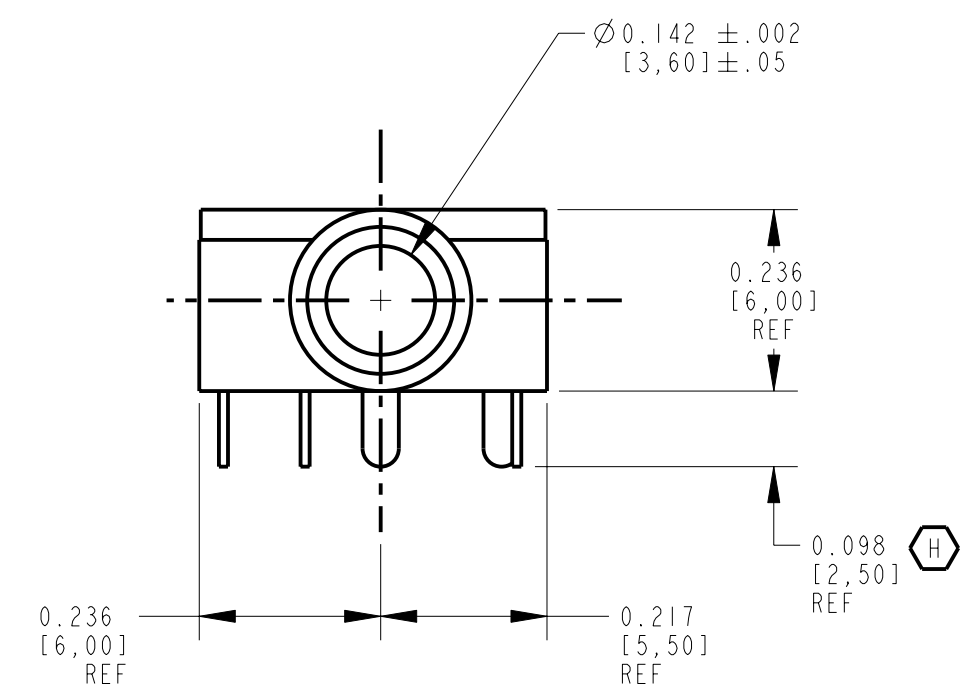
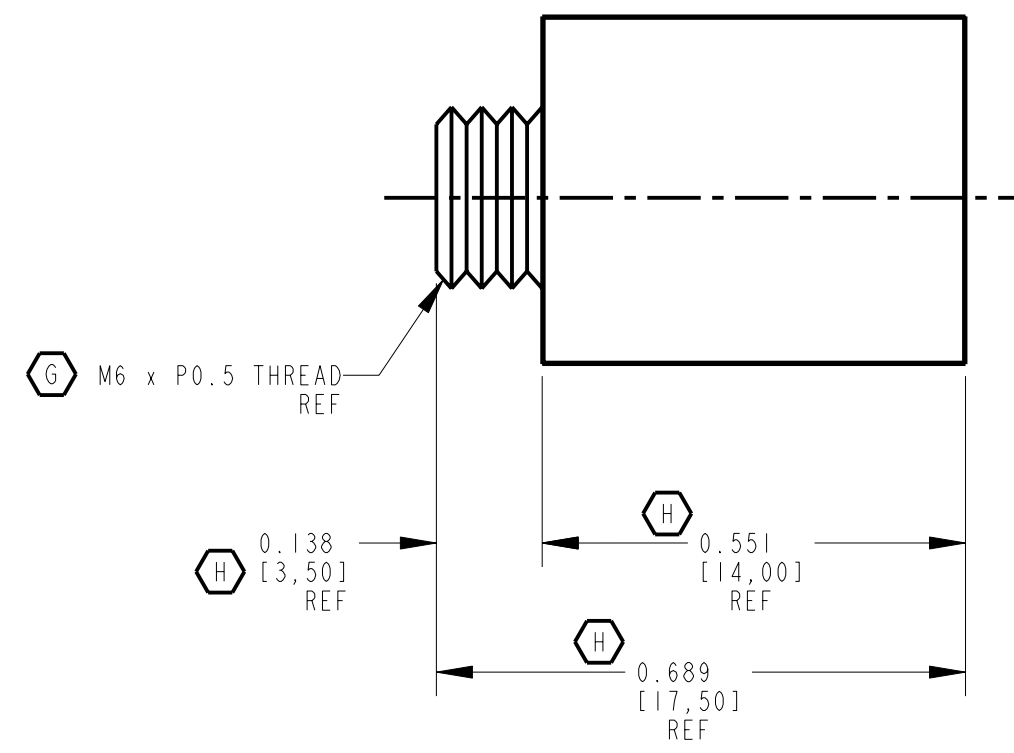
3. MATERIALS:
 HOUSING: PBT BLACK, UL94-V0
 BUSHING: BRASS, NICKEL PLATED
 SPRINGS: BRASS EXCEPT RING SPRING PHOSPHOR BRONZE, SILVER PLATED
 COVER: POLYCARBONATE, CLEAR, UL94-V0

4. MOUNTING NUT HARDWARE INCLUDED.

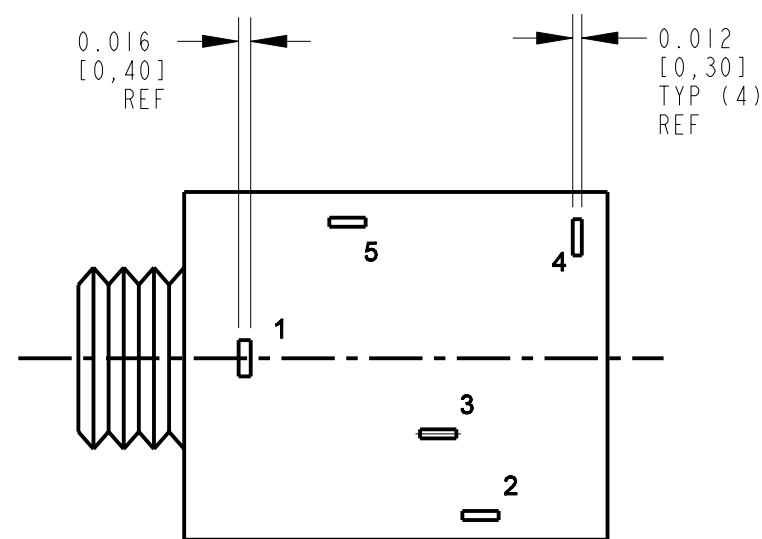
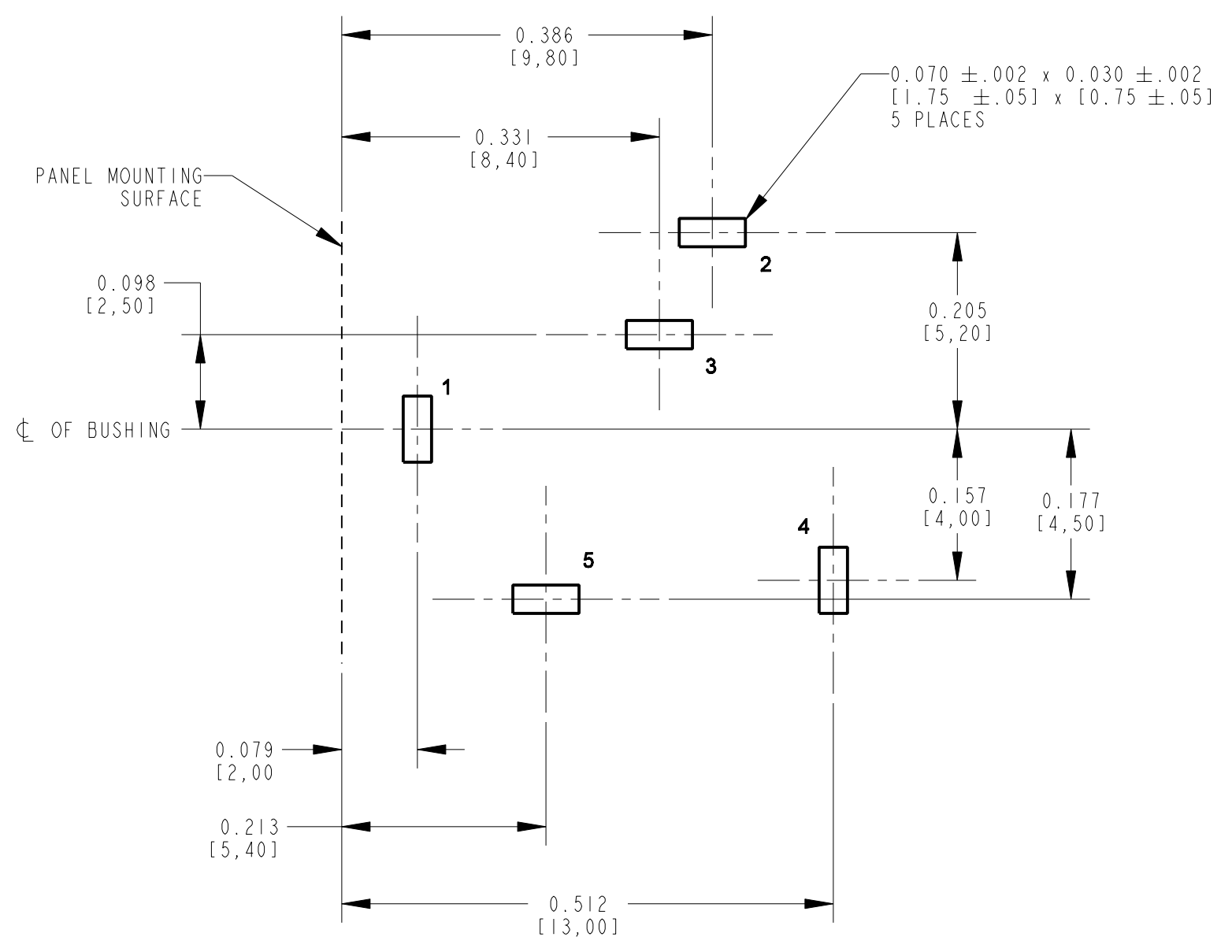
5. THIS PRODUCT IS RoHS COMPLIANT.



SCALE 4:1



PART NO.	SCHEMATIC
35RAPC3BH3	
35RAPC4BH3	
35RAPC2BH3	
35RAPC2AH3	



RECOMMENDED PC BOARD
 COMPONENT SIDE

SUPPLIED WITH KNURL NUT

CUSTOMER DRAWING

<p>★ STAR SYMBOL DENOTES CRITICAL DIMENSION</p> <p>UNLESS OTHERWISE SPECIFIED</p> <p>1. ALL DIMENSIONS IN INCHES - TWO PLACE DECIMALS ±0.01 - THREE PALCE DECIMALS ±0.005 - FRACTIONAL DIMENSIONS ±1/64 - ANGLES ±1° - ALL DIA. CONCENTRIC WITHIN 0.005 T.I.R.</p> <p>2. FEATURES ON THE SAME CENTERLINE MUST BE ALIGNED WITHIN ±0.002</p> <p>3. REMOVE ALL BURRS</p>				<p>THIS DRAWING DESCRIBES A DESIGN CONSIDERED PROPRIETARY IN NATURE, DEVELOPED AND MANUFACTURED BY SWITCHCRAFT INC. AND IS RELEASED ON A CONFIDENTIAL BASIS FOR IDENTIFICATION PURPOSES ONLY.</p>					
<p>SIZE</p>		<p>WIDTH</p>		<p>MULT</p>		<p>LBS/M</p>		<p>TEMPER</p>	
<p>FINISH</p>				<p>MATERIAL</p>					
<p>SPEC No.</p>				<p>SPEC No.</p>					
<p>FIRST USED ON</p>				<p>SCALE</p>					
<p>DATE DRAWN</p>				<p>BY</p>		<p>CHKD</p>		<p>APVD</p>	
<p>9-Dec-93</p>				<p>ES</p>		<p>12-10-93</p>		<p>12-10-93</p>	
<p>NAME</p>								<p>PART No.</p>	
<p>3.5MM HORIZONTAL STEREO JACK, RoHS</p>								<p>35RAPC_H3</p>	
<p>REVISIONS</p>								<p>DO NOT SCALE DRAWING</p>	
REV	ECO NUMBER	DATE	BY	APVD					
H	26998	7-20-12	TO	TJK					
G	26658	11-10-10	TO	TJK					
F	26553	6-8-10	TJK	TJK					
E	21847	7-29-97	RC	JJ					