



Chipsmall Limited consists of a professional team with an average of over 10 year of expertise in the distribution of electronic components. Based in Hongkong, we have already established firm and mutual-benefit business relationships with customers from,Europe,America and south Asia,supplying obsolete and hard-to-find components to meet their specific needs.

With the principle of "Quality Parts,Customers Priority,Honest Operation,and Considerate Service",our business mainly focus on the distribution of electronic components. Line cards we deal with include Microchip,ALPS,ROHM,Xilinx,Pulse,ON,Everlight and Freescale. Main products comprise IC,Modules,Potentiometer,IC Socket,Relay,Connector.Our parts cover such applications as commercial,industrial, and automotives areas.

We are looking forward to setting up business relationship with you and hope to provide you with the best service and solution. Let us make a better world for our industry!



Contact us

Tel: +86-755-8981 8866 Fax: +86-755-8427 6832

Email & Skype: info@chipsmall.com Web: www.chipsmall.com

Address: A1208, Overseas Decoration Building, #122 Zhenhua RD., Futian, Shenzhen, China

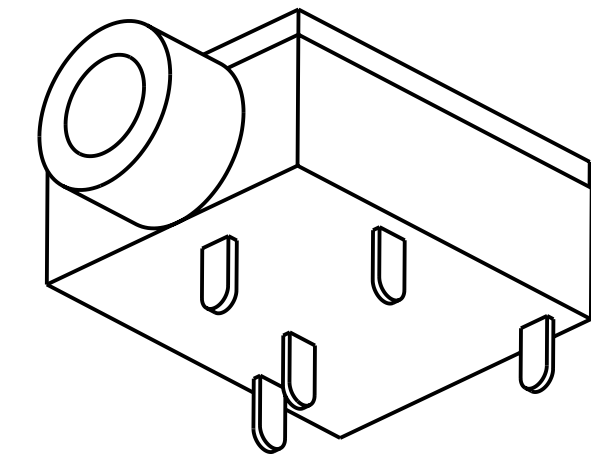
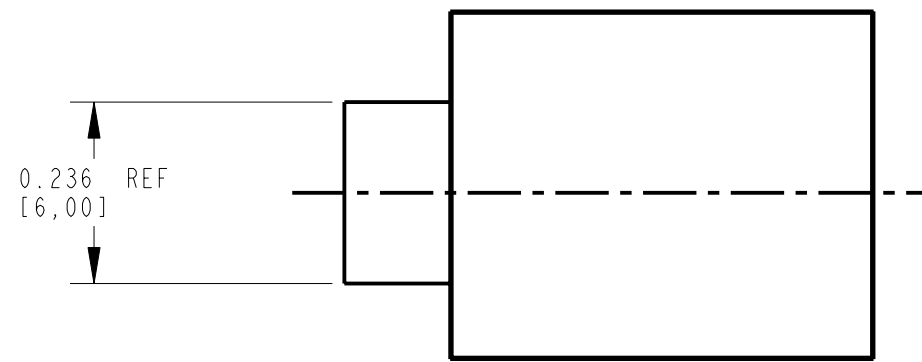


SPECIFICATIONS:

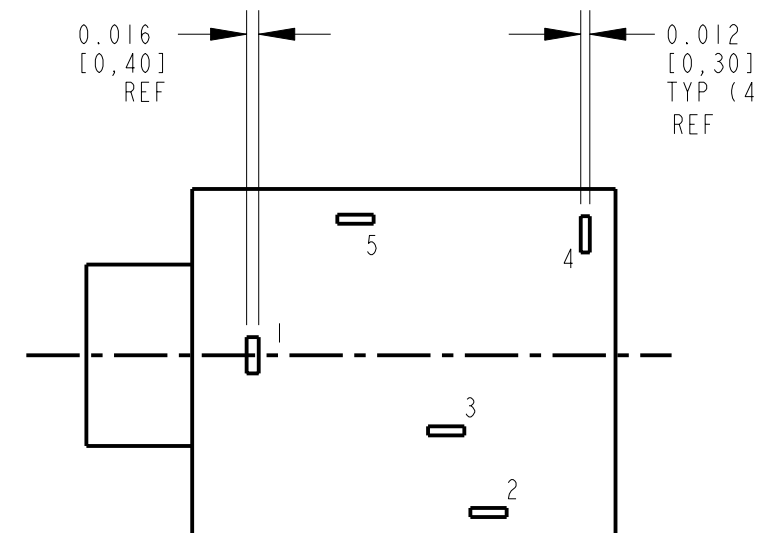
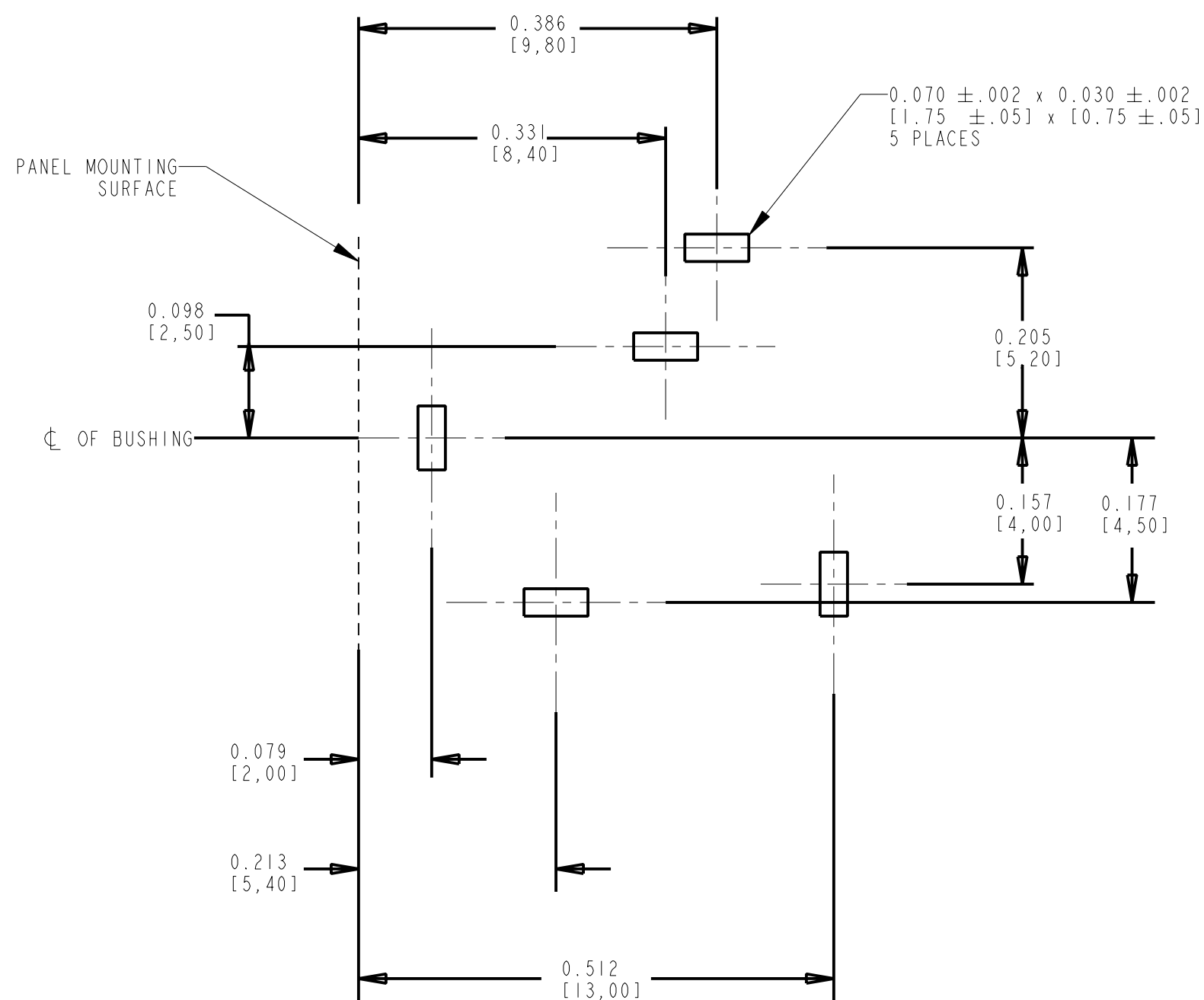
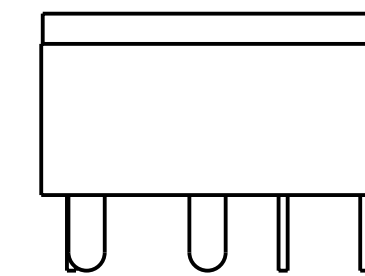
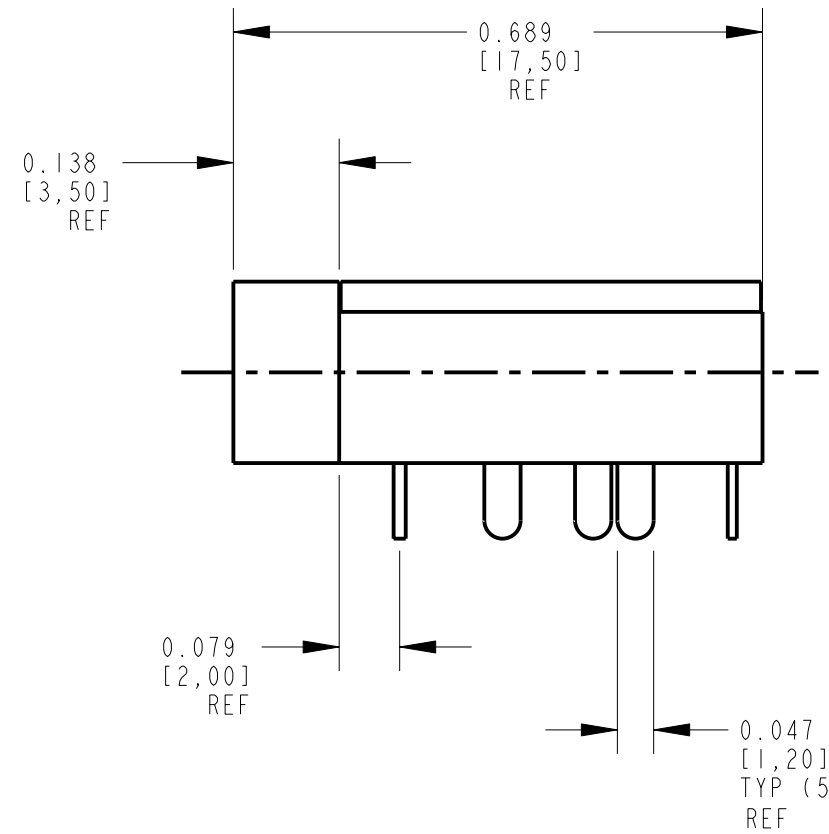
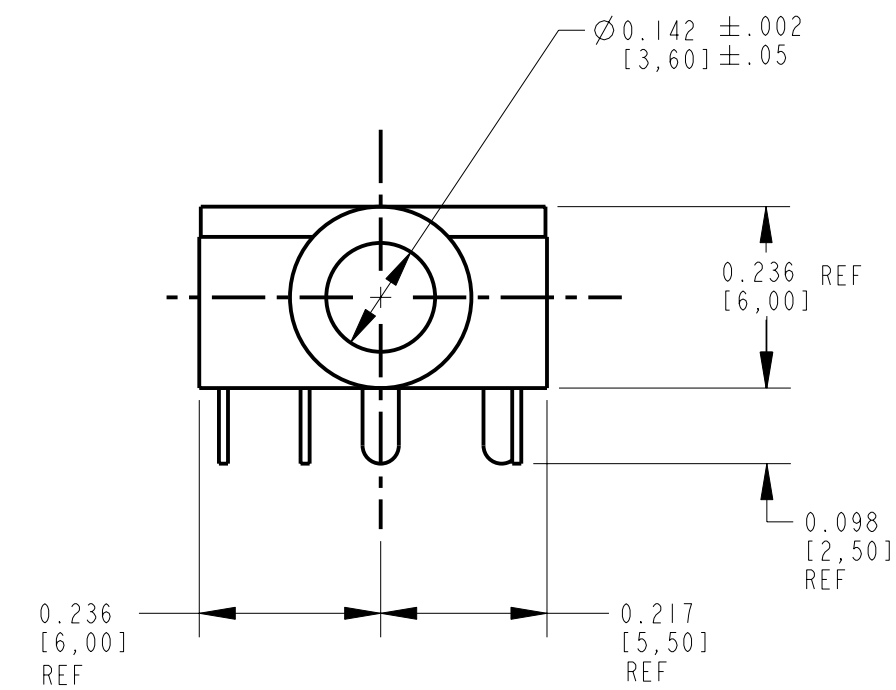
ELECTRICAL:
 CONTACT RESISTANCE: 20 MILLIOHMS MAX. INITIAL
 100 MILLIOHMS MAX. AFTER LIFE
 INSULATION RESISTANCE: 100 MEGAOHMS MIN.
 DIELECTRIC WITH STANDING VOLTAGE: 250 VAC.

MECHANICAL:
 LIFE: 5000 CYCLES
 INSERTION FORCE: 0, 4 KG TO 1, 6 KG
 WITHDRAWAL FORCE: 0, 4 KG TO 1, 4 KG

MATERIALS:
 HOUSING: NORYL BLACK, UL94V1
 BUSHING: BRASS, NICKEL PLATED
 SPRINGS: BRASS EXCEPT RING SPRING PHOSPHOR BRONZE, SILVER PLATED
 COVER: POLYCARBONATE, CLEAR, UL94V2



SCALE 4:1



RECOMMENDED PC BOARD
 COMPONENT SIDE

PART NO.	SCHEMATIC
35RAPC3BHN3	
35RAPC4BHN3	
35RAPC2BHN3	
35RAPC2AHN3	

CUSTOMER DRAWING

<p>★ STAR SYMBOL DENOTES CRITICAL DIMENSION</p> <p>UNLESS OTHERWISE SPECIFIED</p> <p>1. ALL DIMENSIONS IN INCHES - TWO PLACE DECIMALS ±0.01 - THREE PALCE DECIMALS ±0.005 - FRACTIONAL DIMENSIONS ±1/64 - ANGLES ±1° - ALL DIA. CONCENTRIC WITHIN 0.005 T.I.R.</p> <p>2. FEATURES ON THE SAME CENTERLINE MUST BE ALIGNED WITHIN ±0.002</p> <p>3. REMOVE ALL BURRS</p> <p>DO NOT SCALE DRAWING</p>				<p>THIS DRAWING DESCRIBES A DESIGN CONSIDERED PROPRIETARY IN NATURE, DEVELOPED AND MANUFACTURED BY SWITCHCRAFT INC. AND IS RELEASED ON A CONFIDENTIAL BASIS FOR IDENTIFICATION PURPOSES ONLY.</p> <p>SIZE WIDTH MULT LBS/M TEMPER</p> <p>FINISH MATERIAL</p> <p>SPEC No. SPEC No.</p> <p>FIRST USED ON SCALE 4:1</p> <p>DATE DRAWN BY CHKD APVD</p> <p>4-May-95 SG 5-8-95 5-8-95</p> <p>NAME 3.5 MM HORIZONTAL, NON THREADED BUSHING MONO/STEREO JACK PART No. 35RAPC_ _HN3 REV A</p>				
REV	ECO NUMBER	DATE	BY	APVD				
A	RELEASE TO MFG. ECO #19561	5-4-95	SG	GHJ				
REVISIONS								