



Chipsmall Limited consists of a professional team with an average of over 10 year of expertise in the distribution of electronic components. Based in Hongkong, we have already established firm and mutual-benefit business relationships with customers from,Europe,America and south Asia,supplying obsolete and hard-to-find components to meet their specific needs.

With the principle of “Quality Parts,Customers Priority,Honest Operation,and Considerate Service”,our business mainly focus on the distribution of electronic components. Line cards we deal with include Microchip,ALPS,ROHM,Xilinx,Pulse,ON,Everlight and Freescale. Main products comprise IC,Modules,Potentiometer,IC Socket,Relay,Connector.Our parts cover such applications as commercial,industrial, and automotives areas.

We are looking forward to setting up business relationship with you and hope to provide you with the best service and solution. Let us make a better world for our industry!



## Contact us

Tel: +86-755-8981 8866 Fax: +86-755-8427 6832

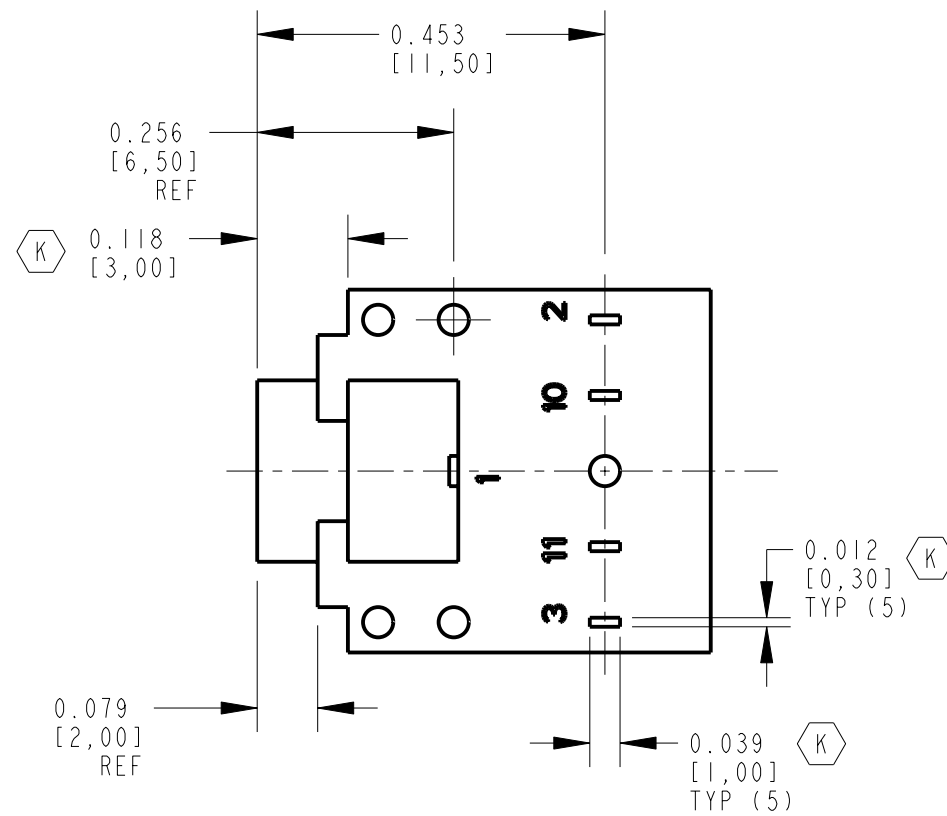
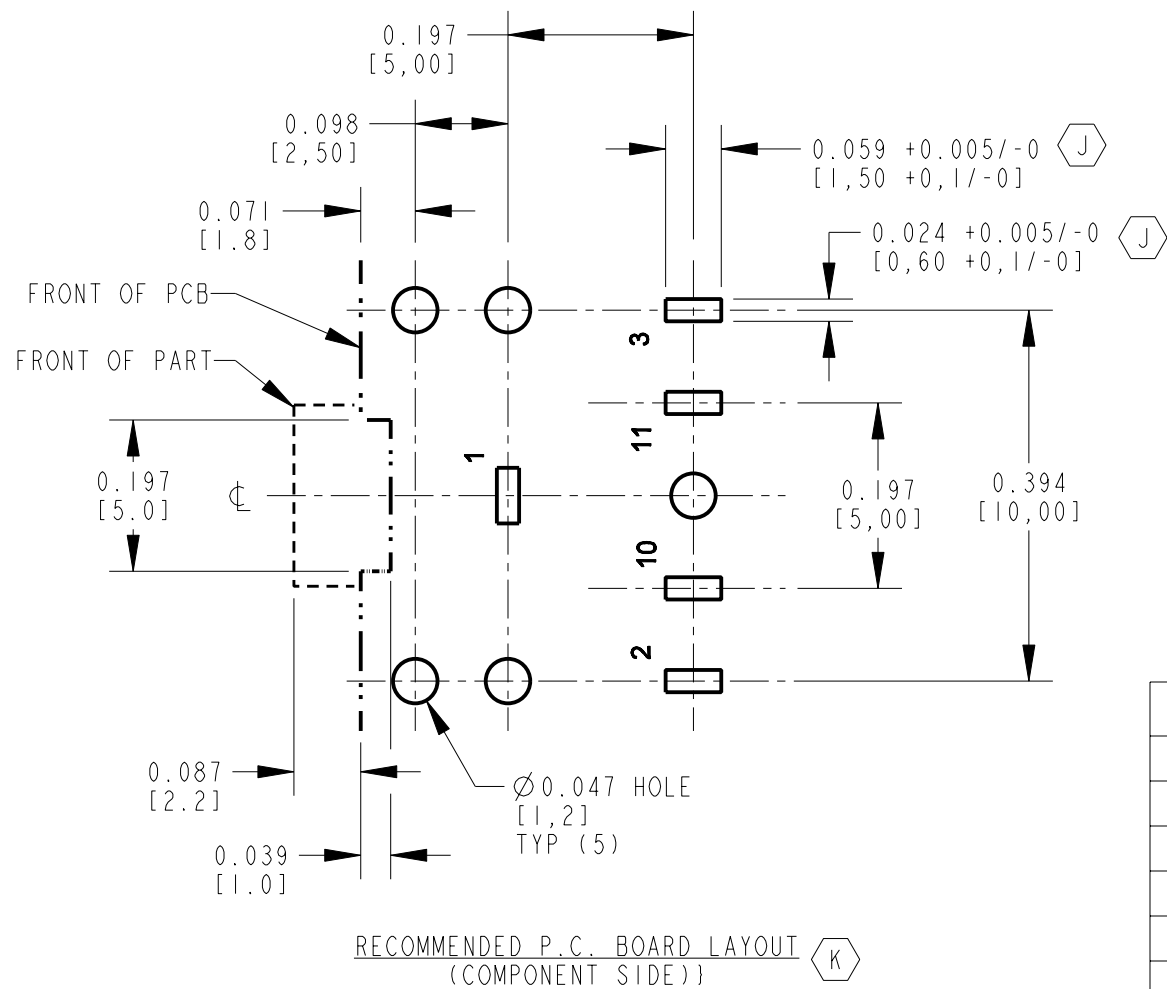
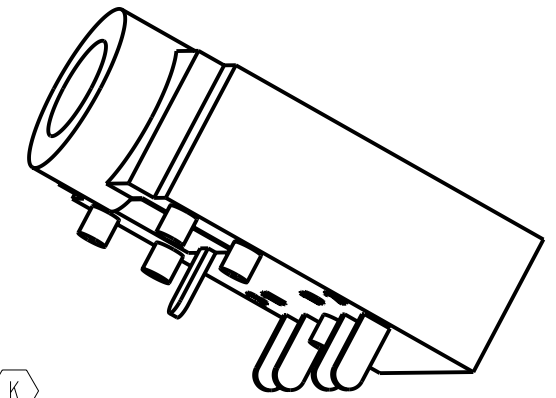
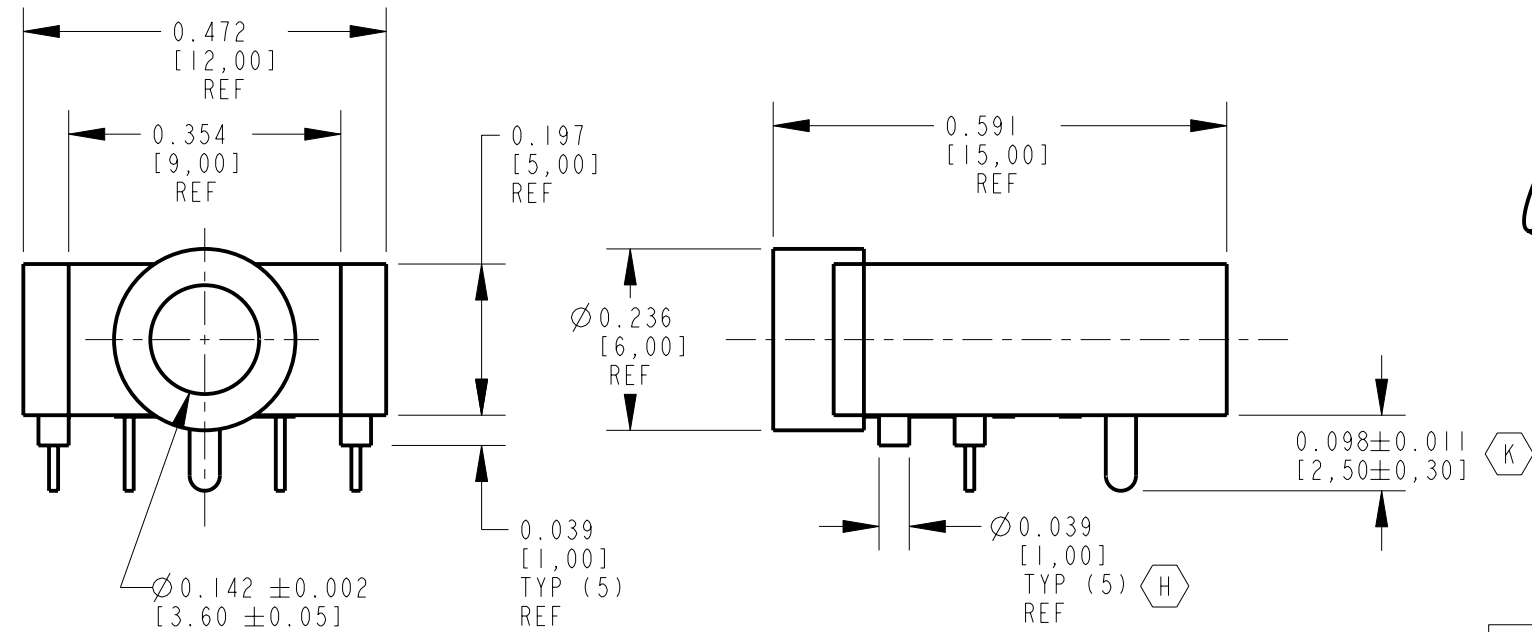
Email & Skype: info@chipsmall.com Web: www.chipsmall.com

Address: A1208, Overseas Decoration Building, #122 Zhenhua RD., Futian, Shenzhen, China



NOTES:

- ELECTRICAL:  
CONTACT RESISTANCE: 0.030 OHMS MAX INITIAL,  
0.100 OHMS MAX AFTER LIFE TEST.  
INSULATION RESISTANCE: 100 MEGAOHMS MIN @ 500 VDC  
DIELECTRIC WITHSTANDING VOLTAGE: 500 VAC
- MECHANICAL:  
LIFE: 5000 CYCLES  
INSERTION FORCE: 0,4 KG TO 3 KG  
WITHDRAWAL FORCE: 0,4 KG TO 3 KG
- MATERIALS:  
HOUSING: PBT, BLACK, UL94V-0  
COVER: PBT, BLACK, UL94V-0  
BUSHING: BRASS, NICKEL PLATED  
SPRINGS: SLEEVE-PHOSPHOR BRONZE, SILVER PLATED  
SHUNT-BRASS, SILVER PLATED.  
TIP & RING - COPPER ALLOY, SILVER PLATED
- THIS PRODUCT IS RoHS COMPLIANT.



SHOWN 35RAPC4BHN2

PART NUMBER	SCHEMATIC
35RAPC2AHN2	
35RAPC3BHN2	
35RAPC4BHN2	
35RAPC2BHN2	

CUSTOMER DRAWING

REV	ECO NUMBER	DATE	BY	APVD
K	27056	11-20-12	TO	TJK
J	26998	7-20-12	TO	TJK
H	26658	11-10-10	TO	TJK
G	26553	6-8-10	TJK	TJK
F	ECO # 24453	4-10-03	SRC	TJK

★ STAR SYMBOL DENOTES CRITICAL DIMENSION

UNLESS OTHERWISE SPECIFIED

- ALL DIMENSIONS IN INCHES  
- TWO PLACE DECIMALS ±0.01  
- THREE PLACE DECIMALS ±0.005  
- FRACTIONAL DIMENSIONS ±1/64  
- ANGLES ±1°  
- ALL DIA. CONCENTRIC WITHIN 0.005 T.I.R.
- FEATURES ON THE SAME CENTERLINE MUST BE ALIGNED WITHIN ±0.002
- REMOVE ALL BURRS

DO NOT SCALE DRAWING

THIS DRAWING DESCRIBES A DESIGN CONSIDERED PROPRIETARY IN NATURE, DEVELOPED AND MANUFACTURED BY SWITCHCRAFT INC. AND IS RELEASED ON A CONFIDENTIAL BASIS FOR IDENTIFICATION PURPOSES ONLY.				
SIZE	WIDTH	MULT	LBS/M	TEMPER
FINISH		MATERIAL		
SPEC No.		SPEC No.		
FIRST USED ON		SCALE		
		4:1		
DATE DRAWN	BY	CHKD	APVD	
9-Dec-93	LR	LR	EBR	
		12-10-93	12-10-93	
NAME			PART No.	REV
3.5MM HORIZONTAL STEREO JACK, RoHS			35RAPC_ _HN2	K

Pro/Engineer CAD File

B

ROUTING 146 112