



Chipsmall Limited consists of a professional team with an average of over 10 year of expertise in the distribution of electronic components. Based in Hongkong, we have already established firm and mutual-benefit business relationships with customers from,Europe,America and south Asia,supplying obsolete and hard-to-find components to meet their specific needs.

With the principle of "Quality Parts,Customers Priority,Honest Operation,and Considerate Service",our business mainly focus on the distribution of electronic components. Line cards we deal with include Microchip,ALPS,ROHM,Xilinx,Pulse,ON,Everlight and Freescale. Main products comprise IC,Modules,Potentiometer,IC Socket,Relay,Connector.Our parts cover such applications as commercial,industrial, and automotives areas.

We are looking forward to setting up business relationship with you and hope to provide you with the best service and solution. Let us make a better world for our industry!



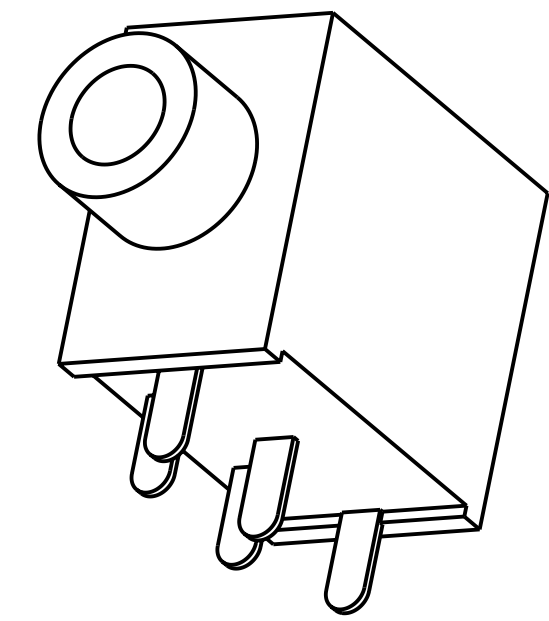
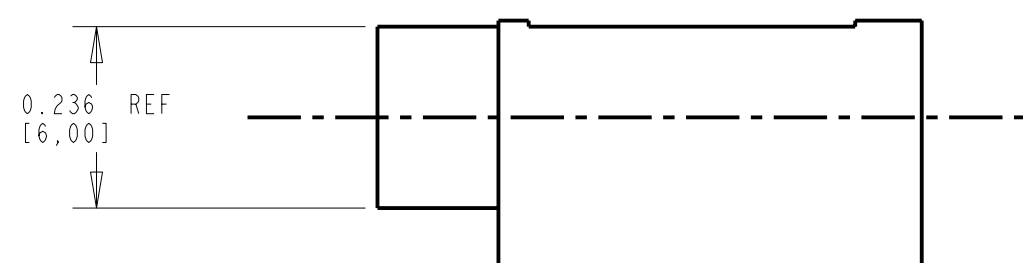
Contact us

Tel: +86-755-8981 8866 Fax: +86-755-8427 6832

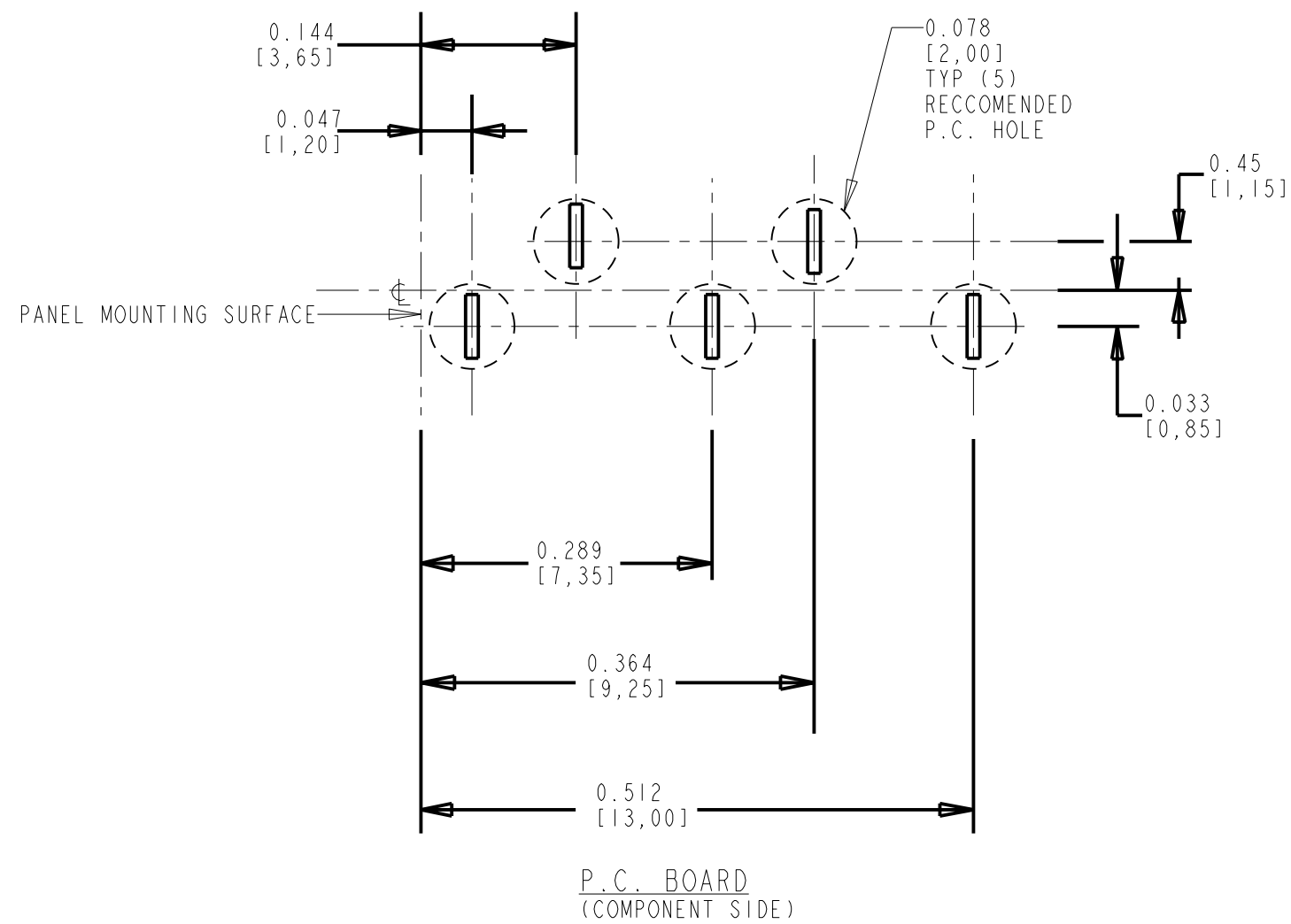
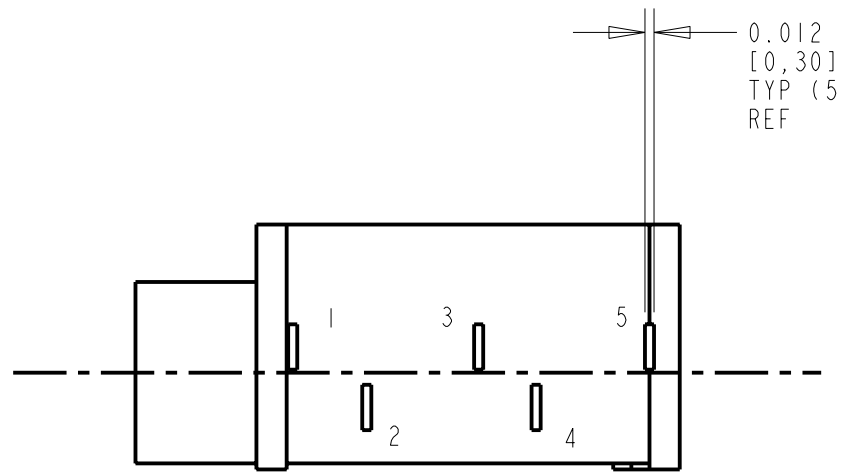
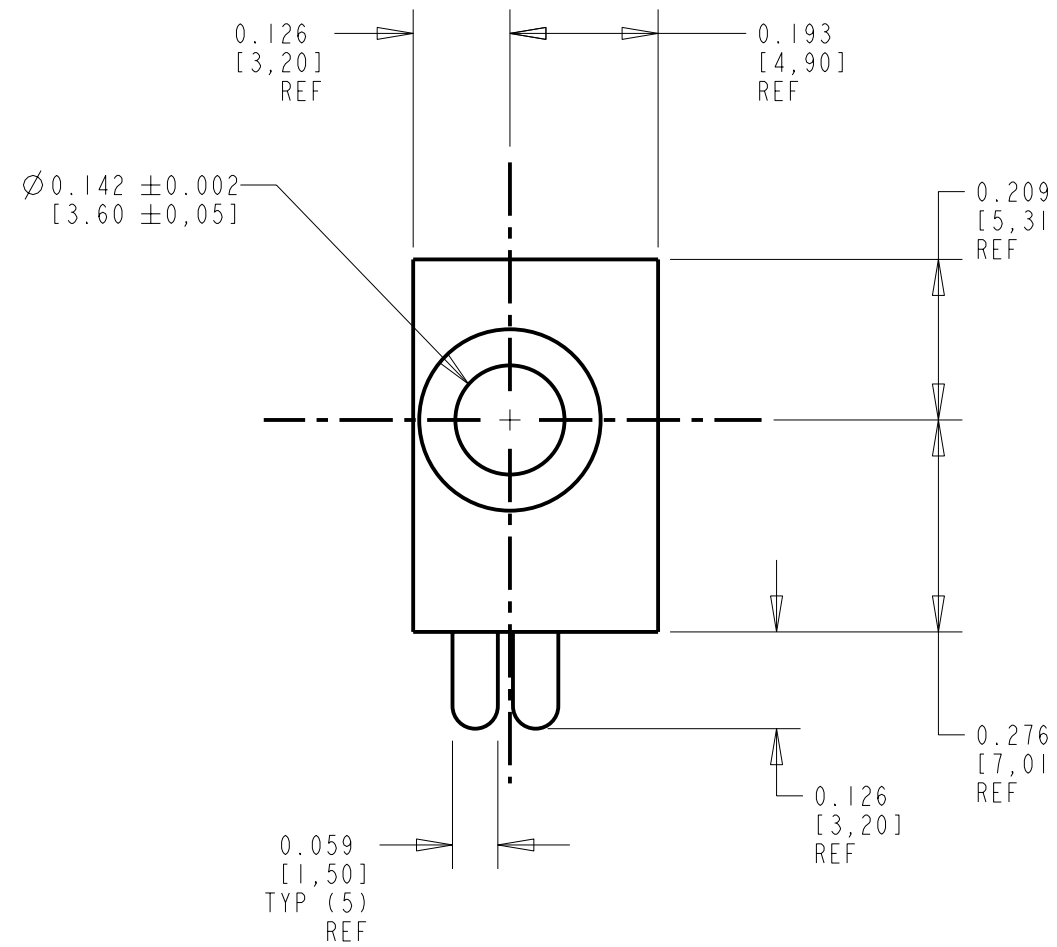
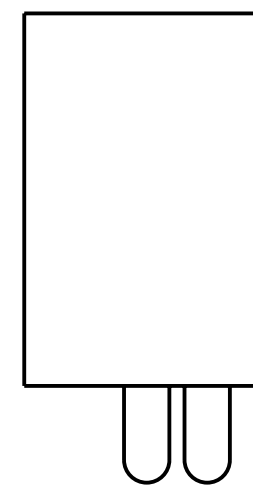
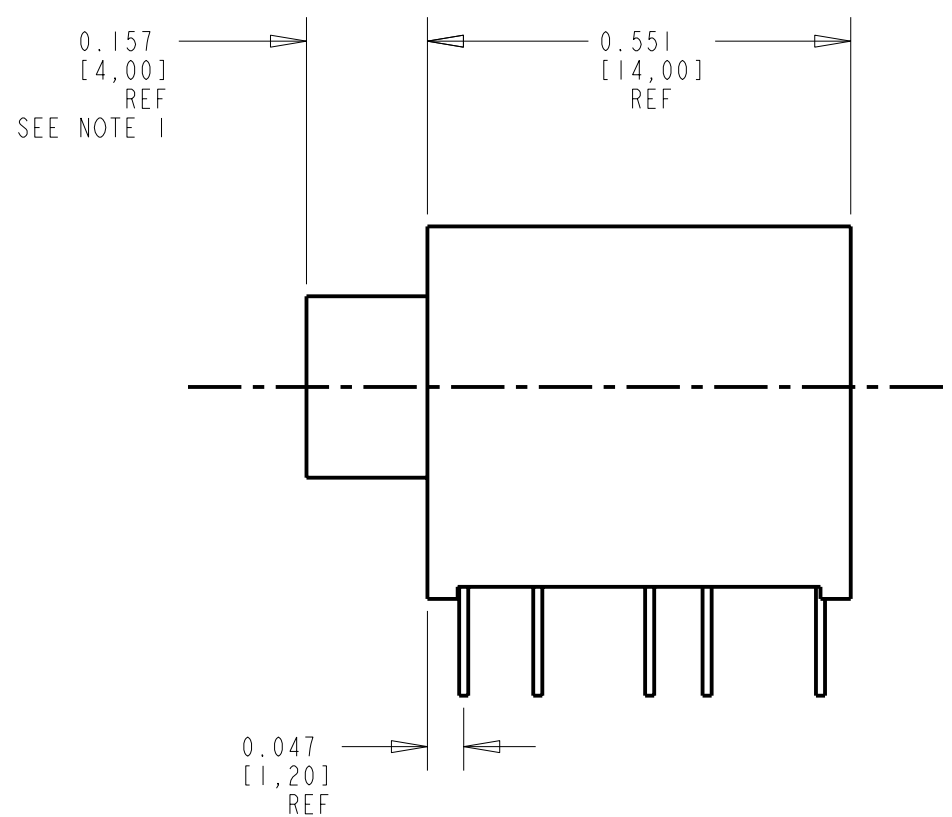
Email & Skype: info@chipsmall.com Web: www.chipsmall.com

Address: A1208, Overseas Decoration Building, #122 Zhenhua RD., Futian, Shenzhen, China





SCALE 4:1



PART NO.	SCHEMATIC
35RAPC3BVN4	
35RAPC4BVN4	
35RAPC2BVN4	
35RAPC2AVN4	

SPECIFICATIONS

ELECTRICAL:
 CONTACT RESISTANCE: 20 MILLIOHMS MAX, INITIAL
 50 MILLIOHMS MAX, AFTER LIFE
 INSULATION RESISTANCE: 50 MEGAOHMS MIN. AT 500 VDC
 DIELECTRIC WITHSTANDING VOLTAGE: 250 VAC

MECHANICAL:
 LIFE: 5000 CYCLES
 INSERTION FORCE: 0.4 KG TO 1.6 KG
 WITHDRAWAL FORCE: 0.4 KG TO 1.4 KG

MATERIALS:
 HOUSING: PBT +15% GLASS FILLED, BLACK, UL94V0
 BUSHING: BRASS, NICKEL PLATED
 SPRINGS: PHOSPHOR BRONZE, TIN PLATED
 COVER: POLYCARBONATE, CLEAR, UL94V0.

REV	ECO NUMBER	DATE	BY	APVD
C	ECO #21184	6-4-97	OM	JJ
B	ECO #20182	8-26-95	SG	TAO
A	RELEASE TO MFG. ECO #19561	5-4-95	SG	GHJ

★ STAR SYMBOL DENOTES CRITICAL DIMENSION

UNLESS OTHERWISE SPECIFIED

1. ALL DIMENSIONS IN INCHES
 - TWO PLACE DECIMALS ±0.01
 - THREE PLACE DECIMALS ±0.005
 - FRACTIONAL DIMENSIONS ±1/64
 - ANGLES ±1°
 - ALL DIA. CONCENTRIC WITHIN 0.005 T.I.R.

2. FEATURES ON THE SAME CENTERLINE MUST BE ALIGNED WITHIN ±0.002

3. REMOVE ALL BURRS

DO NOT SCALE DRAWING

THIS DRAWING DESCRIBES A DESIGN CONSIDERED PROPRIETARY IN NATURE, DEVELOPED AND MANUFACTURED BY SWITCHCRAFT INC. AND IS RELEASED ON A CONFIDENTIAL BASIS FOR IDENTIFICATION PURPOSES ONLY.				
SIZE	WIDTH	MULT	LBS/M	TEMPER
FINISH		MATERIAL		
SPEC No.		SPEC No.		
FIRST USED ON		SCALE		
		4:1		
DATE DRAWN	BY	CHKD	APVD	
4-May-95	SG	SG	GHJ	
		5-8-95		
NAME				PART No.
3.5 MM VERTICAL, NON THREADED MONO/STEREO JACK				35RAPC_VN4
				REV
				C

CUSTOMER DRAWING

