



Chipsmall Limited consists of a professional team with an average of over 10 year of expertise in the distribution of electronic components. Based in Hongkong, we have already established firm and mutual-benefit business relationships with customers from,Europe,America and south Asia,supplying obsolete and hard-to-find components to meet their specific needs.

With the principle of “Quality Parts,Customers Priority,Honest Operation,and Considerate Service”,our business mainly focus on the distribution of electronic components. Line cards we deal with include Microchip,ALPS,ROHM,Xilinx,Pulse,ON,Everlight and Freescale. Main products comprise IC,Modules,Potentiometer,IC Socket,Relay,Connector.Our parts cover such applications as commercial,industrial, and automotives areas.

We are looking forward to setting up business relationship with you and hope to provide you with the best service and solution. Let us make a better world for our industry!



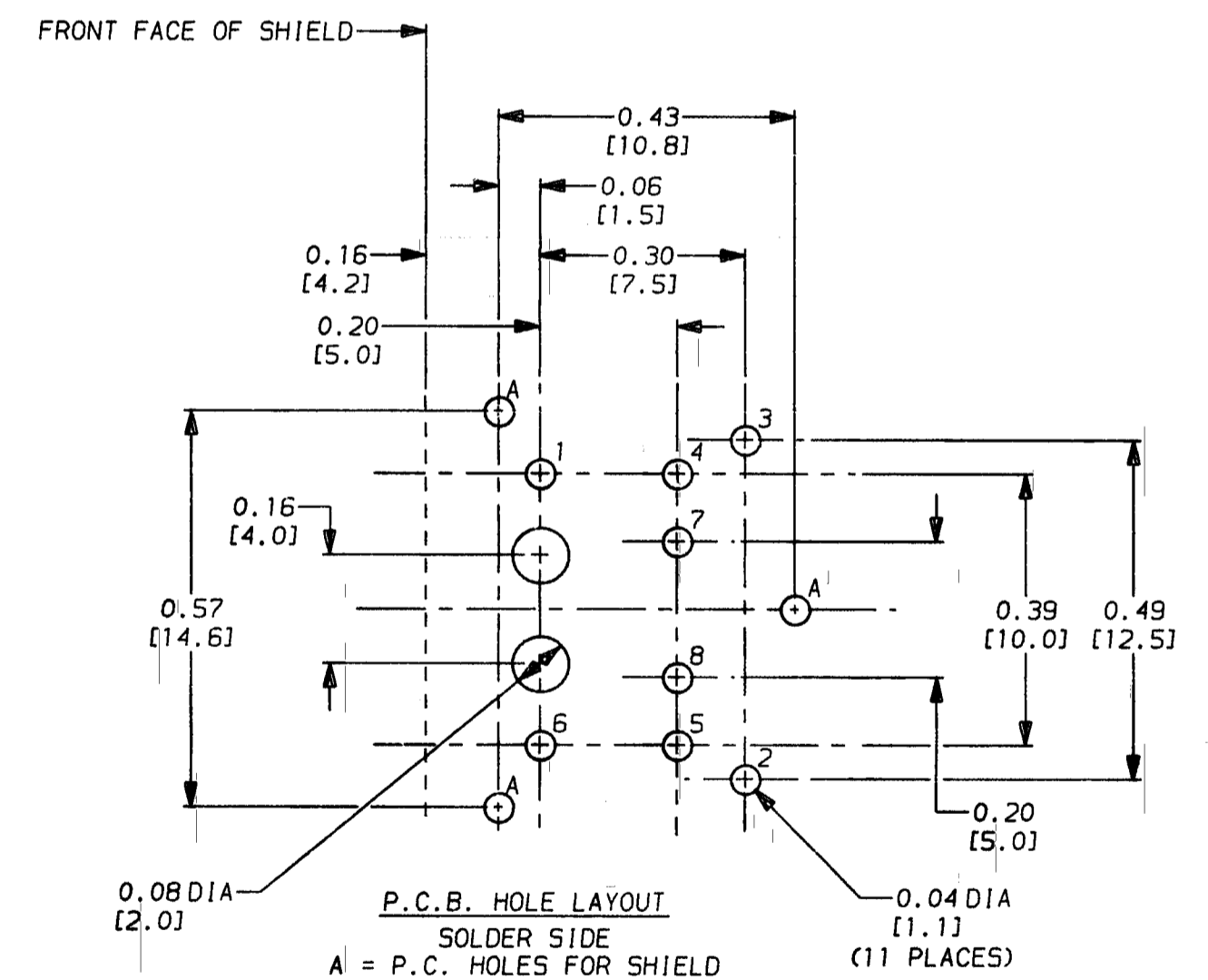
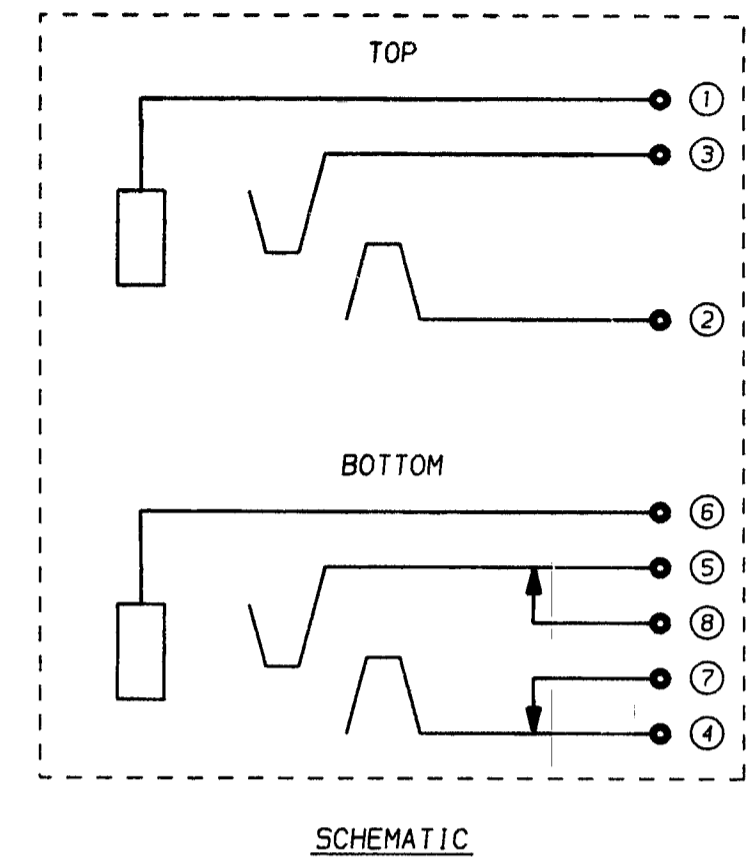
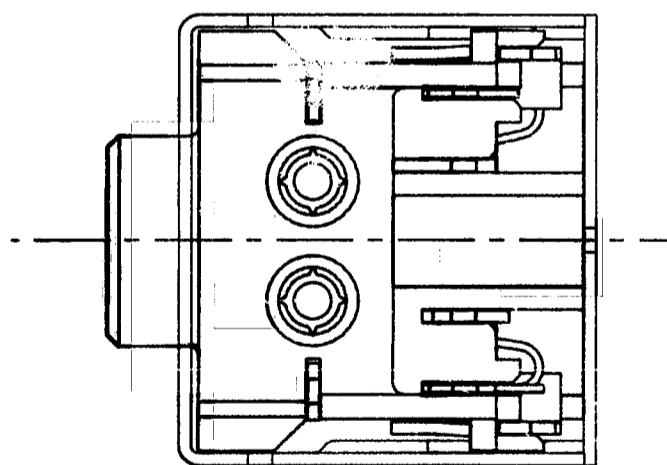
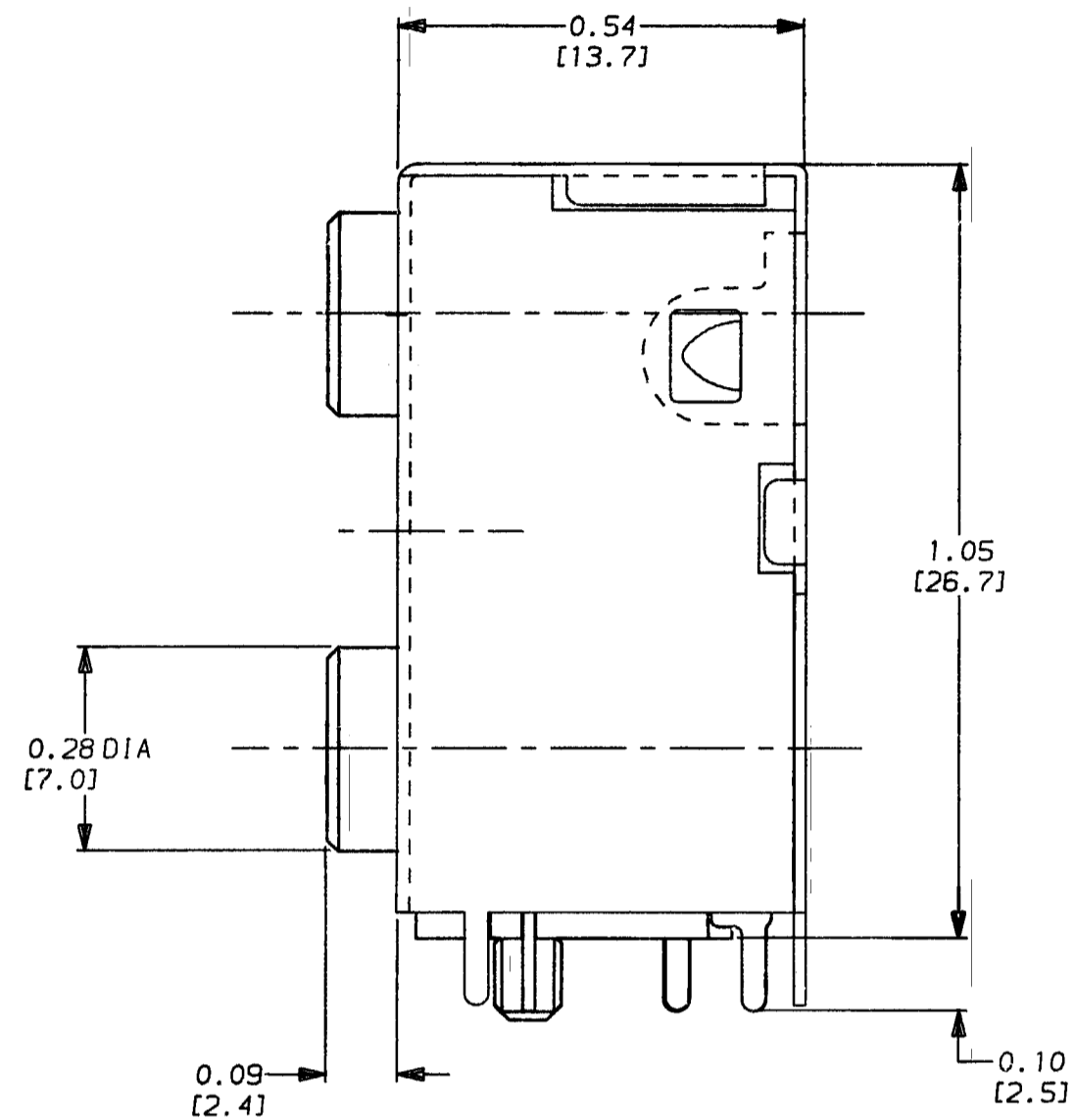
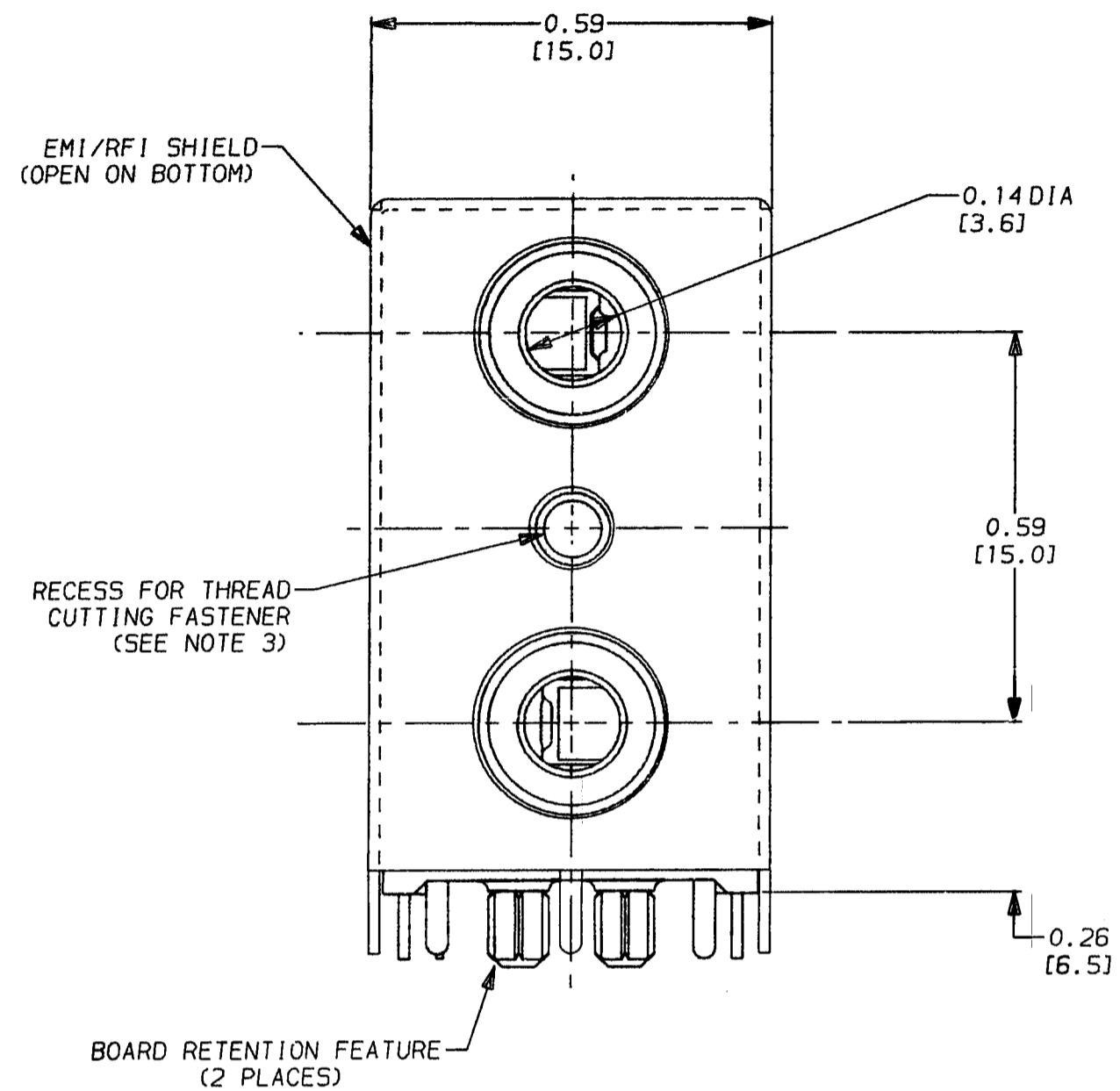
## Contact us

Tel: +86-755-8981 8866 Fax: +86-755-8427 6832

Email & Skype: info@chipsmall.com Web: www.chipsmall.com

Address: A1208, Overseas Decoration Building, #122 Zhenhua RD., Futian, Shenzhen, China





**PERFORMANCE SPECIFICATIONS**

1. INSERTION/EXTRACTION FORCES, INITIAL: 0.8 TO 6 LBS.
2. DIELECTRIC WITHSTANDING VOLTAGE: 500 VAC.
3. INSULATION RESISTANCE: INITIAL, 100 MEGOHMS, MINIMUM.
4. CONTACT RESISTANCE: BETWEEN PLUG & JACK: 50 MILLIOHMS MAXIMUM. BETWEEN SPRINGS & SHUNTS: 30 MILLIOHMS MAXIMUM.
5. LIFE: 5000 CYCLES, MINIMUM.

**MATERIAL SPECIFICATIONS**

- TIP & RING SPRINGS - 0.010 PHOSPHOR BRONZE, SILVER PLATED.
- SHUNT TERMINALS - 0.016 BRASS, SILVER PLATED
- TIP & RING TERMINALS - 0.016 BRASS, SILVER PLATED
- SLEEVE TERMINALS - 0.016 PHOSPHOR BRONZE, SILVER PLATED
- HOUSING - LIQUID CRYSTAL POLYMER.
- SHIELD - 0.016 PRE-TINNED BRASS

**NOTES:**

1. SHIELD ISOLATED FROM TERMINALS #1 AND #6.
2. WIDTH OF ALL TERMINALS = 0.032" [0.814mm].
3. USE CAMCAR TEXTRON S25 T8 TORX PAN HEAD "DURO-PT" THREAD CUTTING FASTENER OF APPROPRIATE LENGTH, OR EQUIVALENT.
4. ALL DIMENSIONS REFERENCE ONLY.

**CUSTOMER DRAWING**

CAD/CAM DWG. NO.  
35RAPC7JS.CD  
SHEET 1 OF 1

REV	ISSUE	CHANGE NO.	DATE	BY	APP'D	STAR SYMBOL DENOTES CRITICAL DIMENSION, SEE S/C ENGINEERING STANDARD ES-0001	THIS DRAWING DESCRIBES A DESIGN CONSIDERED PROPRIETARY IN NATURE, DEVELOPED AND MANUFACTURED BY SWITCHCRAFT INC. AND IS RELEASED ON A CONFIDENTIAL BASIS FOR IDENTIFICATION PURPOSE ONLY.				
N	ECO #21834		9-26-97	OM	JJ	UNLESS OTHERWISE SPECIFIED	SIZE	WIDTH	MULT	LBS/IN	TEMPER
M	ECO #20277		7-10-96	DEA	JF	1. ALL DIMENSIONS IN INCHES TWO PLACE DECIMAL ±.01 THREE PLACE DECIMAL ±.005 FRACTIONAL DIMENSIONS ±1/64 ANGLES ±1/2° ALL DIA'S CONCENTRIC WITHIN .005 T.I.R.	FINISH	SCALE 1 = 0.25			MATERIAL
L	ECO #20134		9-7-95	DA	TAO	2. REMOVE ALL BURRS	SPEC. NO.	FIRST USED ON			SPEC. NO.
K	ECO #20133		9-7-95	DA	TAO	3. MAKE NO DIMENSIONAL ALLOWANCES FOR APPLIED FINISHES, I.E., PLATING, PAINTING, ETC.	DATE DRAWN	BY	CHK'D	APP'D	Switchcraft®
J	ECO #20132		9-7-95	DA	TAO	4. HOLES ON THE SAME CENTERLINE MUST BE ALIGNED WITHIN ±.002	9-8-93	SG	EBR	IAC	
H	ECO #20131		9-7-95	DA	TAO		NAME	3.5mm VERTICAL DUAL JACK			PART NO. 35RAPC7JS
REVISIONS						DO NOT SCALE DRAWING					ISSUE N

