



Chipsmall Limited consists of a professional team with an average of over 10 year of expertise in the distribution of electronic components. Based in Hongkong, we have already established firm and mutual-benefit business relationships with customers from,Europe,America and south Asia,supplying obsolete and hard-to-find components to meet their specific needs.

With the principle of “Quality Parts,Customers Priority,Honest Operation,and Considerate Service”,our business mainly focus on the distribution of electronic components. Line cards we deal with include Microchip,ALPS,ROHM,Xilinx,Pulse,ON,Everlight and Freescale. Main products comprise IC,Modules,Potentiometer,IC Socket,Relay,Connector.Our parts cover such applications as commercial,industrial, and automotives areas.

We are looking forward to setting up business relationship with you and hope to provide you with the best service and solution. Let us make a better world for our industry!



## Contact us

Tel: +86-755-8981 8866 Fax: +86-755-8427 6832

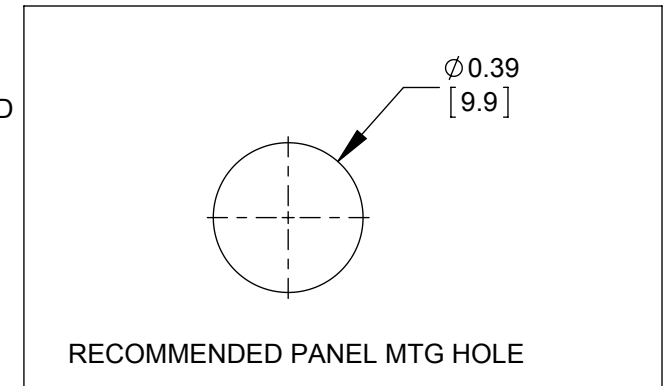
Email & Skype: info@chipsmall.com Web: www.chipsmall.com

Address: A1208, Overseas Decoration Building, #122 Zhenhua RD., Futian, Shenzhen, China

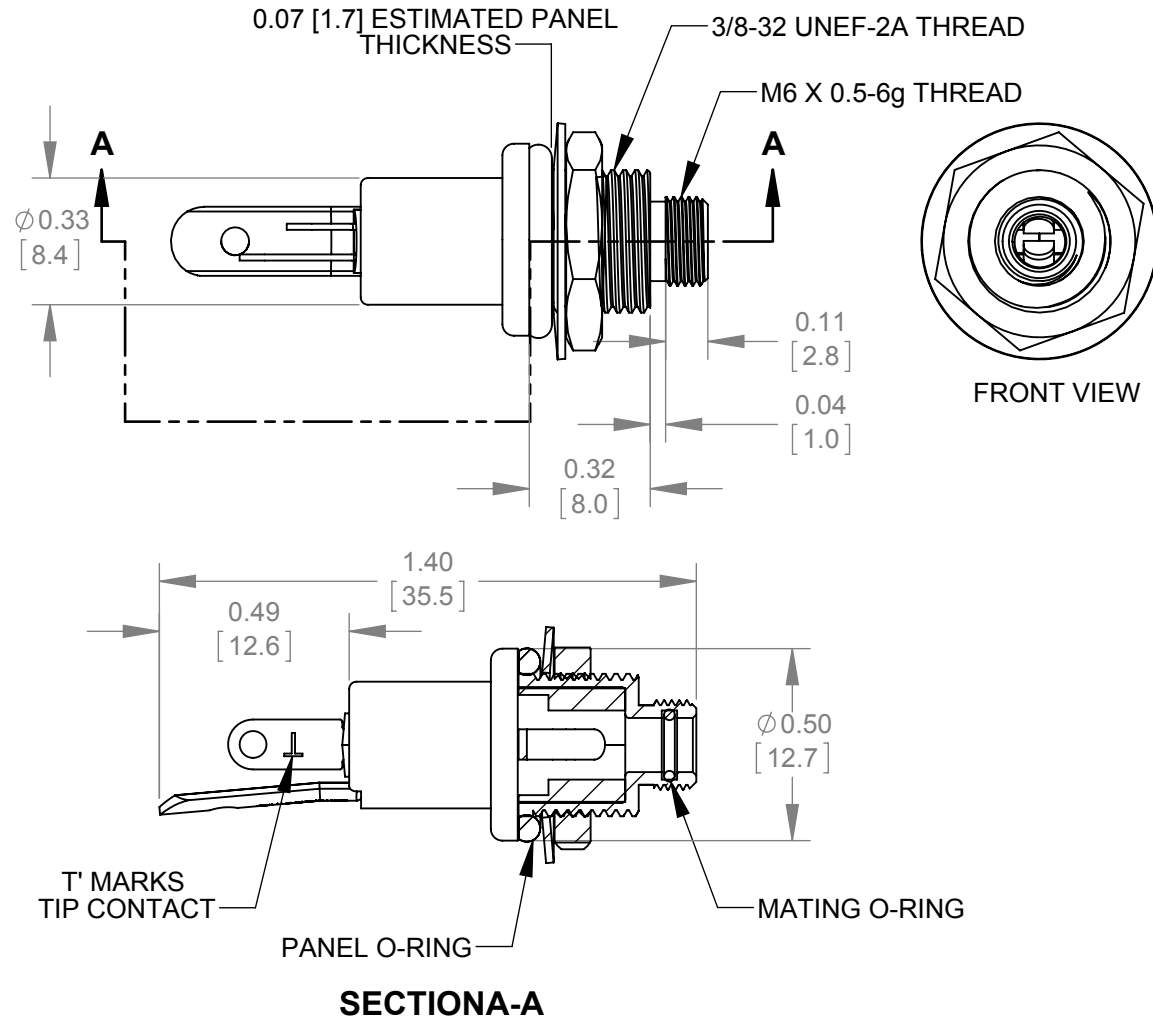


# 35RM3

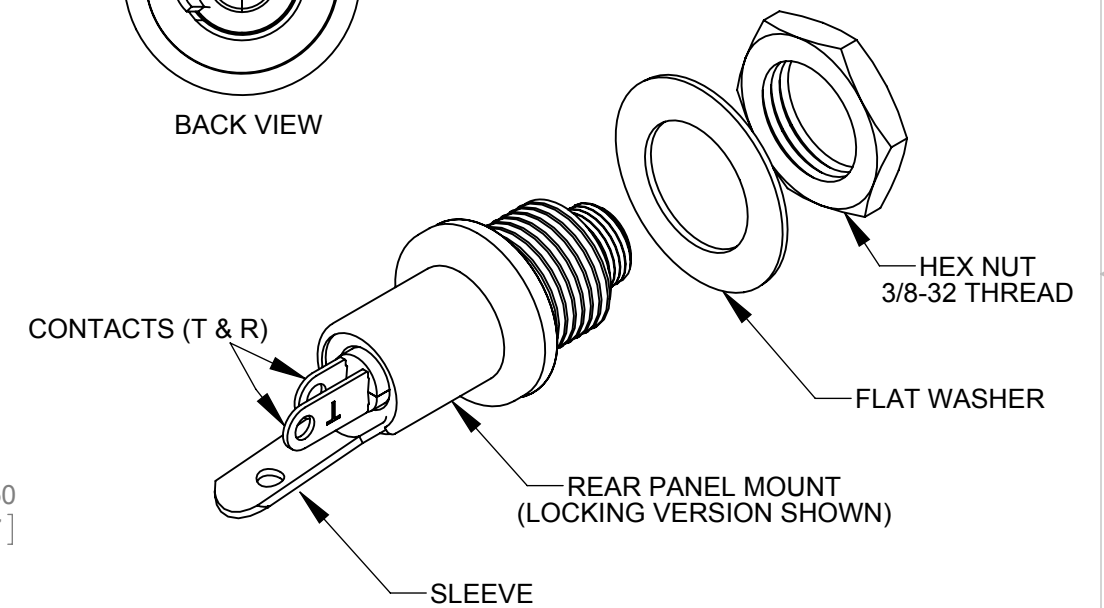
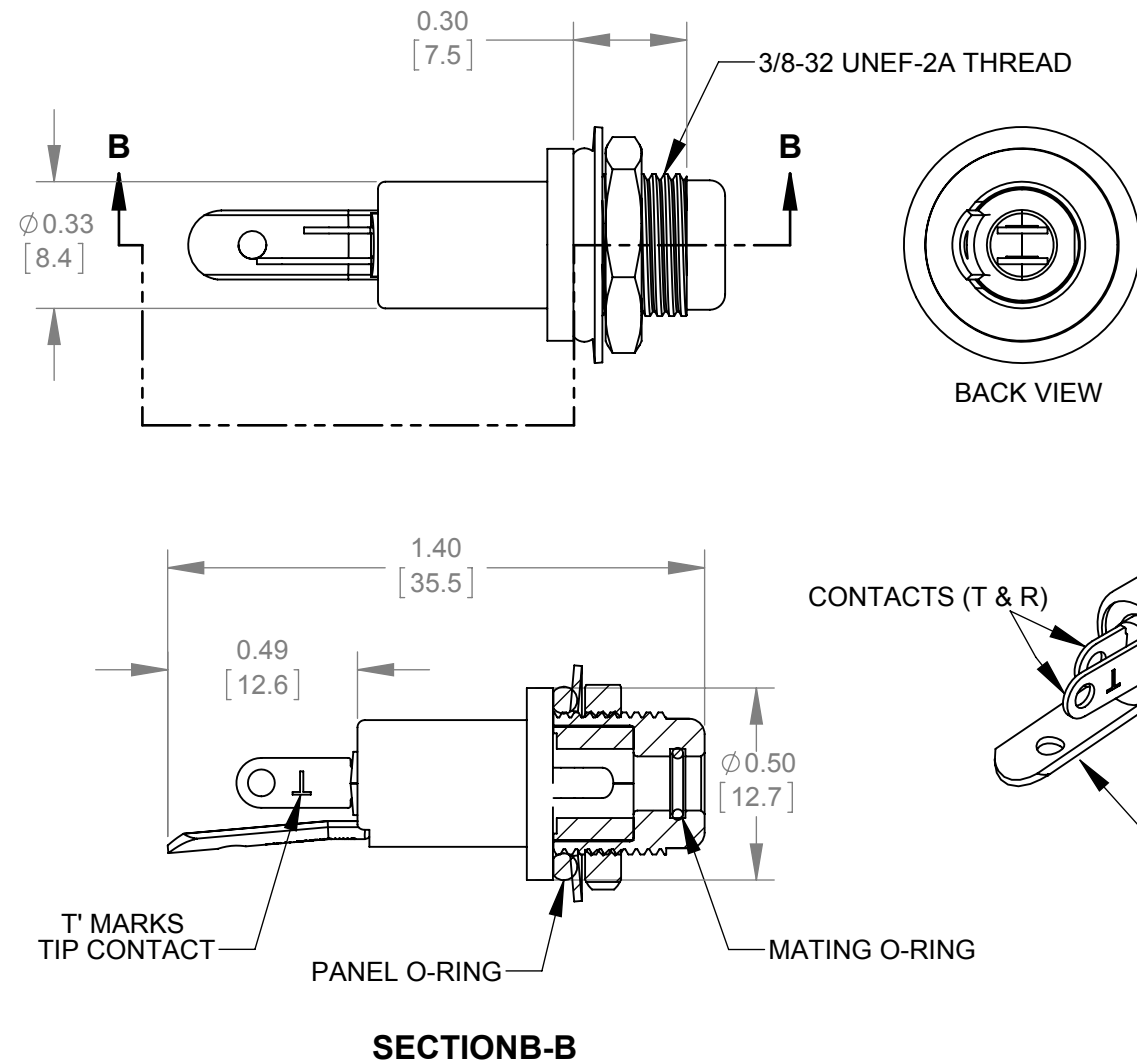
S - SEALED  
BLANK - NON SEALED  
L - LOCKING  
BLANK - NON LOCKING  
AU - GOLD  
BLANK - SILVER



## LOCKING & SEALED ASSEMBLY SHOWN



## NON LOCKING & SEALED ASSEMBLY SHOWN



### NOTES:

- USE SWITCHCRAFT'S 3.5MM LOCKING STEREO PLUG FOR MATING.
- DIMENSIONS SHOWN FOR REFERENCE ONLY.
- HEX NUT, WASHER AND O-RINGS ARE PROVIDED ASSEMBLED TO THE HOUSING ASSEMBLY. NO O-RINGS SUPPLIED WITH NON SEALED VERSIONS.
- MATERIAL:  
HOUSINGS, HEX NUT - COPPER ALLOY, NICKEL PLATED  
FLAT WASHERS - STEEL, NICKEL PLATED  
CONTACTS - BERYLLIUM COPPER, SILVER PLATED  
O-RINGS - NITRILE RUBBER, 70 DUROMETER
- THIS PRODUCT IS RoHS COMPLIANT.

**PRELIMINARY  
CUSTOMER DRAWING**

UNLESS OTHERWISE SPECIFIED					THIS DRAWING DESCRIBES A DESIGN CONSIDERED PROPRIETARY IN NATURE, DEVELOPED AND MANUFACTURED BY SWITCHCRAFT INC. AND IS RELEASED ON A CONFIDENTIAL BASIS FOR IDENTIFICATION PURPOSES ONLY.					
					SIZE *	WIDTH *	MULT *	LBS/M *	TEMPER *	
1. ALL DIMENSIONS IN INCHES [mm] - TWO PLACE DECIMALS ±0.02 [0.5] - THREE PLACE DECIMALS ±0.005 [0.13]					FINISH *		MATERIAL *			
					SPEC No. *		SPEC No. *			
0A FIRST DRAWN 02/10/17 AM *					FIRST USED ON *		SCALE 2:1			
					DATE DRAWN	BY	CHKD	APVD	Switchcraft®	
REV ECO NUMBER DATE BY APVD					02/10/17	AM	*	*	SHEET 1 OF 1	
					REVISIONS					NAME 3.5MM JACK ASSM REAR PANEL MOUNT, RoHS

DO NOT SCALE DRAWING

SolidWorks CAD File **B**