



Chipsmall Limited consists of a professional team with an average of over 10 year of expertise in the distribution of electronic components. Based in Hongkong, we have already established firm and mutual-benefit business relationships with customers from,Europe,America and south Asia,supplying obsolete and hard-to-find components to meet their specific needs.

With the principle of “Quality Parts,Customers Priority,Honest Operation,and Considerate Service”,our business mainly focus on the distribution of electronic components. Line cards we deal with include Microchip,ALPS,ROHM,Xilinx,Pulse,ON,Everlight and Freescale. Main products comprise IC,Modules,Potentiometer,IC Socket,Relay,Connector.Our parts cover such applications as commercial,industrial, and automotives areas.

We are looking forward to setting up business relationship with you and hope to provide you with the best service and solution. Let us make a better world for our industry!



Contact us

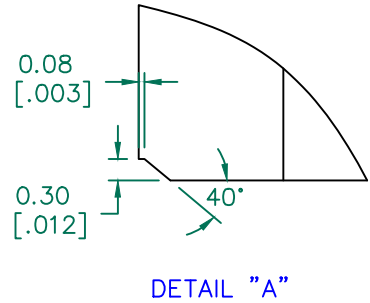
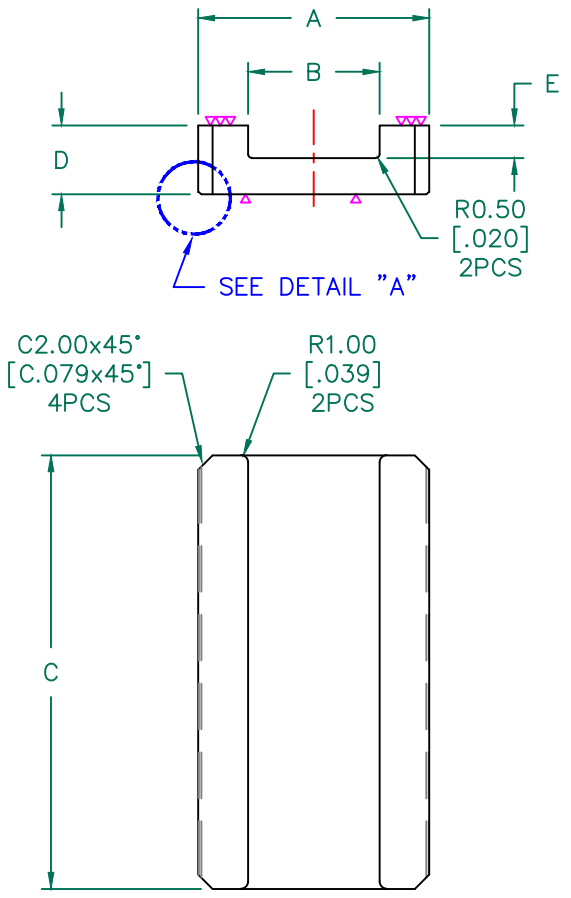
Tel: +86-755-8981 8866 Fax: +86-755-8427 6832

Email & Skype: info@chipsmall.com Web: www.chipsmall.com

Address: A1208, Overseas Decoration Building, #122 Zhenhua RD., Futian, Shenzhen, China



NET IMPEDANCE (Z)						
Frequency	0.5 MHz	1 MHz	5 MHz	10 MHz	25 MHz	
Nominal (REF)	63 Ω	123 Ω	84 Ω	60 Ω	50 Ω	
Minimum	46 Ω	92 Ω	63 Ω	45 Ω	38 Ω	



FERRITE CORE DIMENSIONS (SPEC): mm [in]

A	32.00 [1.260]	+	0.60 [.024]
B	18.20 [.717]	+	0.40 [.016]
C	60.00 [2.362]	+	1.00 [.039]
D	9.50 [.374]	+	0.20 [.008]
E	4.50 [.177]	+	0.25 [.010]

WEIGHT/1000 64.00 kgs [141.11 Lbs]

NOTES: UNLESS OTHERWISE SPECIFIED

1. COSMETIC SPECIFICATION REFER TO WI-QA-038.
2. THE CONTACT SURFACE NEED TO BE POLISHED.



DIMENSIONS ARE IN mm[INCHES].				This print is the property of Laird Tech. and is loaned in confidence subject to return upon request and with the understanding that no copies shall be made without the written consent of Laird Tech. All rights to design or invention are reserved.		Laird	
PROJECT/PART NUMBER:	35U1260-220			REV	A	PART TYPE:	CNZ CORE
DATE:	09/15/17	SCALE:	1 : 1	MATERIAL:	Ferrite		
CAD #	35U1260-220-A	TOOL #	U1260	DRAWN BY:	Jcai		
REV	DESCRIPTION	DATE	INT				
A	ORIGINAL DRAFT	09/15/17	Jcai				