



Chipsmall Limited consists of a professional team with an average of over 10 year of expertise in the distribution of electronic components. Based in Hongkong, we have already established firm and mutual-benefit business relationships with customers from,Europe,America and south Asia,supplying obsolete and hard-to-find components to meet their specific needs.

With the principle of “Quality Parts,Customers Priority,Honest Operation,and Considerate Service”,our business mainly focus on the distribution of electronic components. Line cards we deal with include Microchip,ALPS,ROHM,Xilinx,Pulse,ON,Everlight and Freescale. Main products comprise IC,Modules,Potentiometer,IC Socket,Relay,Connector.Our parts cover such applications as commercial,industrial, and automotives areas.

We are looking forward to setting up business relationship with you and hope to provide you with the best service and solution. Let us make a better world for our industry!



Contact us

Tel: +86-755-8981 8866 Fax: +86-755-8427 6832

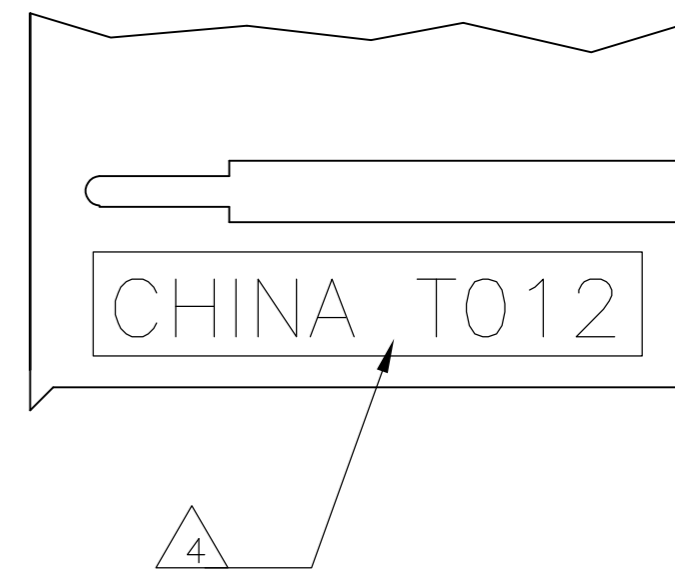
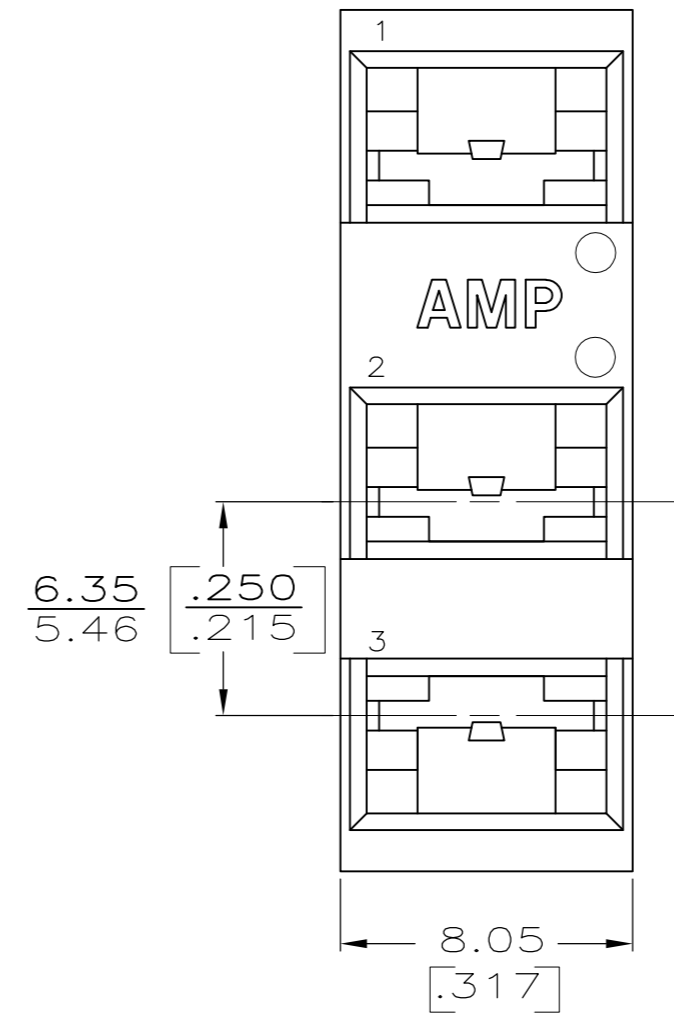
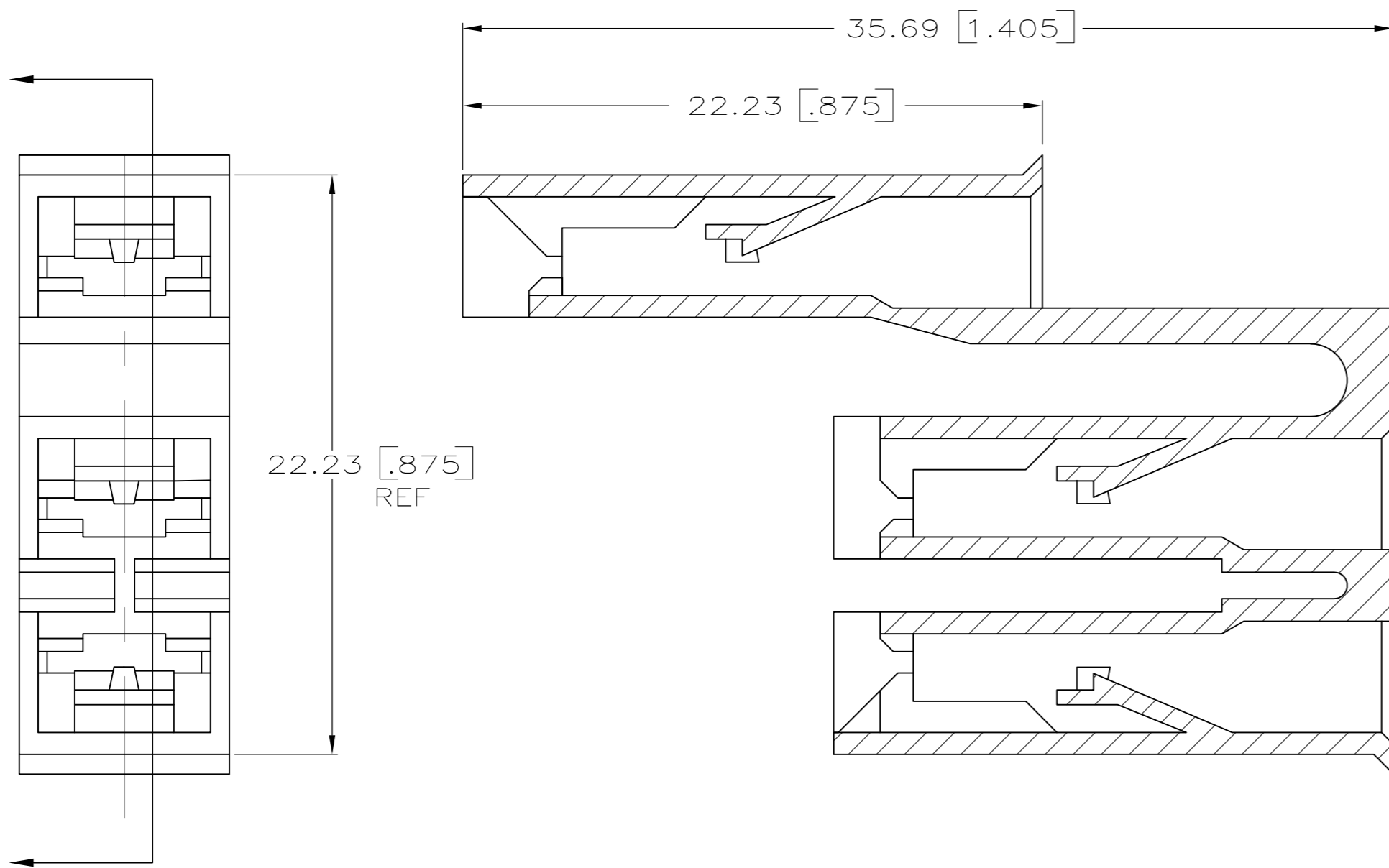
Email & Skype: info@chipsmall.com Web: www.chipsmall.com

Address: A1208, Overseas Decoration Building, #122 Zhenhua RD., Futian, Shenzhen, China



THIS DRAWING IS UNPUBLISHED. RELEASED FOR PUBLICATION
 © COPYRIGHT BY TYCO ELECTRONICS CORPORATION. ALL RIGHTS RESERVED.

LOC	DIST	REVISIONS			
P	LTR	DESCRIPTION	DATE	DWN	APVD
AF	50	AB4	REV PER ECR 07-019039	13AUG07	JR PD



- 1 DIMENSIONS IN BRACKETS ARE IN INCHES.
- 2 HOUSING TO BE USED WITH THE FOLLOWING TERMINALS; 42452, 42453, 42373, 42374, 42617, 60487, 60573, 60214, 60621, 61017, 61079, 61084, 61124, 61919, 60831, 62138.
- 3 HOUSING TO BE USED WITH CHERRY SWITCH STANDARD FORCE/MINEATURE SERIES E23, E33, E34.
- 4 COUNTRY OF ORIGIN AND VENDOR CODE
- 5 PRELIMINARY - NOT FOR PRODUCTION

OBSOLETE

FINISH	MATERIAL	PART NO
NATURAL	6/6 NYLON, VO	360010-6
NATURAL	POLYAMIDE, UL 94, V2, ACCORDING TO IEC 60335-1, GLOW WIRE	360010-5
NATURAL	4/6 NYLON 150° C	360010-4
DYED RED	6/6 NYLON	360010-3
NATURAL	6/6 NYLON, VO	360010-2
NATURAL	6/6 NYLON	360010-1

THIS DRAWING IS A CONTROLLED DOCUMENT.		DWN	JR RUTH	5/21/87	Tyco Electronics Corporation Harrisburg, PA 17105-3608
DIMENSIONS: mm [INCHES]		CHK	MS FEHER	5/27/87	
TOLERANCES UNLESS OTHERWISE SPECIFIED:		APVD	C MEYERS	5/27/87	
0 PLC ± - 1 PLC ± - 2 PLC ± - 3 PLC ± 0.38 [.015] 4 PLC ± - ANGLES ± -		PRODUCT SPEC	NAME		
MATERIAL SEE TABLE		FINISH	SEE TABLE		HOUSING, RECEPTACLE, FASTON, .187 SERIES, 3 CIRCUIT
CUSTOMER DRAWING		WEIGHT	-		SIZE A2 CAGE CODE 00779 DRAWING NO C=360010 RESTRICTED TO -
SCALE 1:1		SHEET 1 of 1		REV AB4	