



Chipsmall Limited consists of a professional team with an average of over 10 year of expertise in the distribution of electronic components. Based in Hongkong, we have already established firm and mutual-benefit business relationships with customers from,Europe,America and south Asia,supplying obsolete and hard-to-find components to meet their specific needs.

With the principle of “Quality Parts,Customers Priority,Honest Operation,and Considerate Service”,our business mainly focus on the distribution of electronic components. Line cards we deal with include Microchip,ALPS,ROHM,Xilinx,Pulse,ON,Everlight and Freescale. Main products comprise IC,Modules,Potentiometer,IC Socket,Relay,Connector.Our parts cover such applications as commercial,industrial, and automotives areas.

We are looking forward to setting up business relationship with you and hope to provide you with the best service and solution. Let us make a better world for our industry!



Contact us

Tel: +86-755-8981 8866 Fax: +86-755-8427 6832

Email & Skype: info@chipsmall.com Web: www.chipsmall.com

Address: A1208, Overseas Decoration Building, #122 Zhenhua RD., Futian, Shenzhen, China

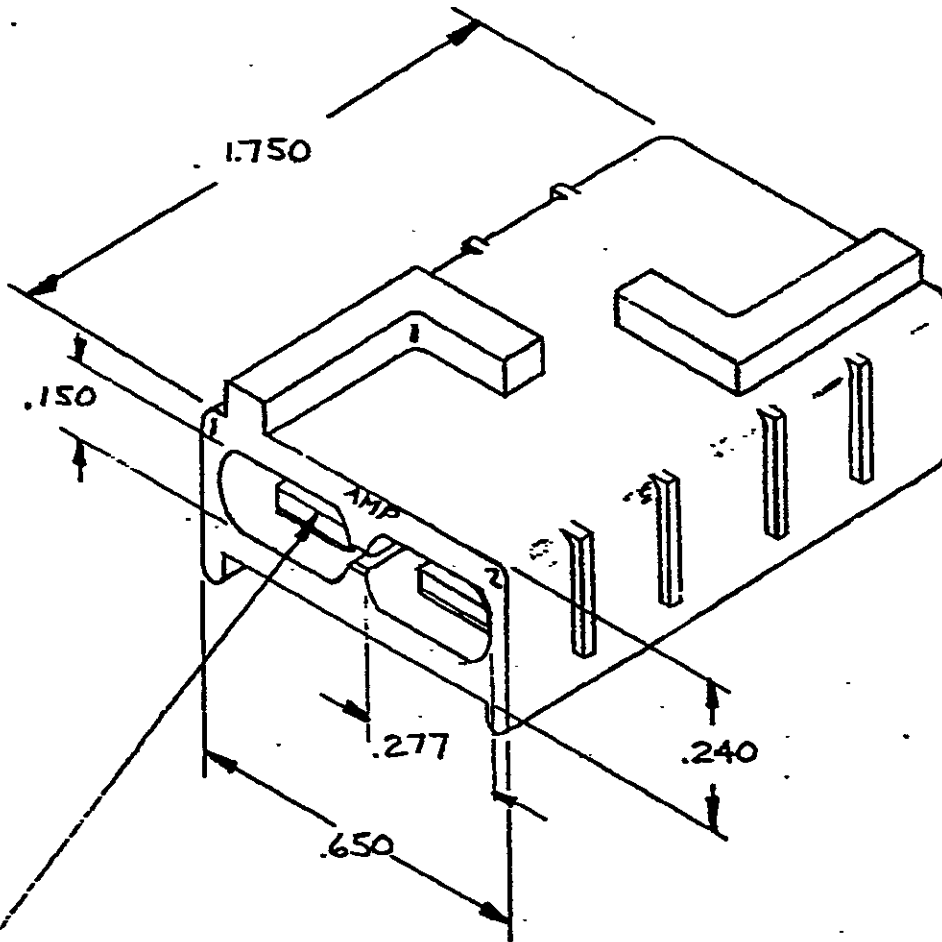


DRAWING MADE IN AMERICAN PROJECTION

NUMBER 360025

360025-1 WAS P72-7343-1

360025-1



"187" SERIES TAB - (4 PLACES)
.020 THICK

PART NO.	COLOR	TEMP RATING
360025-1	NATURAL	105°C
360025-2	BLACK	150°C

DIMENSIONS IN INCHES. DO NOT SCALE PRINT.

Unpublished copy not to be reproduced nor published without written permission of AMP Incorporated.

© 1973 BY AMP INCORPORATED. ALL RIGHTS RESERVED. AMP PRODUCTS COVERED BY PATENTS AND/OR PATENTS PENDING.

CUSTOMER COPY REFERENCE ONLY

MATERIAL AND FINISH



AMP INCORPORATED
HARRISBURG, PENNA.

C	REV/0720-0269-93	LO ME	6/93
B	ADDED P/B	A-4126	BY/DATE 1/4/79
A	REVISED	A-2701	LE/DATE 2-2-78
LTR	REVISION RECORD	ECN	DATE

WIRE — RANGE — INSULATION
— — — 170 MAX

CLASS — — —
TYPE — — —

TOLERANCE EXCEPT AS NOTED
± .018 ± 1° 0'

SCALE — — —

LOC 6

NO A

360025

REV C

NAME "187" SERIES CABLE MOUNTED COMMONING BLOCK ASSEMBLY