



Chipsmall Limited consists of a professional team with an average of over 10 year of expertise in the distribution of electronic components. Based in Hongkong, we have already established firm and mutual-benefit business relationships with customers from,Europe,America and south Asia,supplying obsolete and hard-to-find components to meet their specific needs.

With the principle of “Quality Parts,Customers Priority,Honest Operation,and Considerate Service”,our business mainly focus on the distribution of electronic components. Line cards we deal with include Microchip,ALPS,ROHM,Xilinx,Pulse,ON,Everlight and Freescale. Main products comprise IC,Modules,Potentiometer,IC Socket,Relay,Connector.Our parts cover such applications as commercial,industrial, and automotives areas.

We are looking forward to setting up business relationship with you and hope to provide you with the best service and solution. Let us make a better world for our industry!



Contact us

Tel: +86-755-8981 8866 Fax: +86-755-8427 6832

Email & Skype: info@chipsmall.com Web: www.chipsmall.com

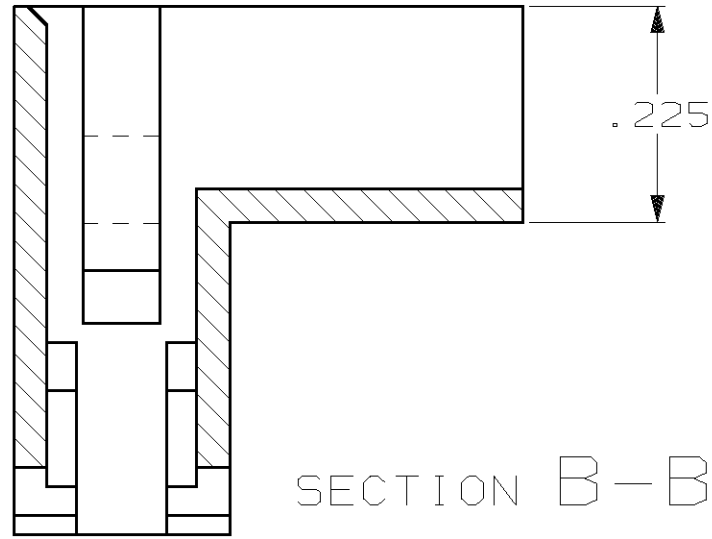
Address: A1208, Overseas Decoration Building, #122 Zhenhua RD., Futian, Shenzhen, China



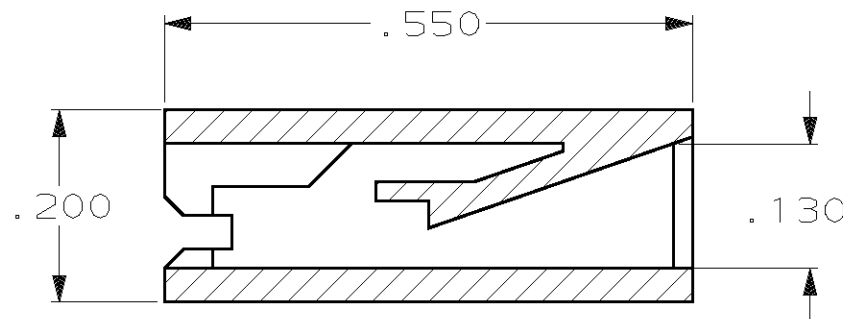
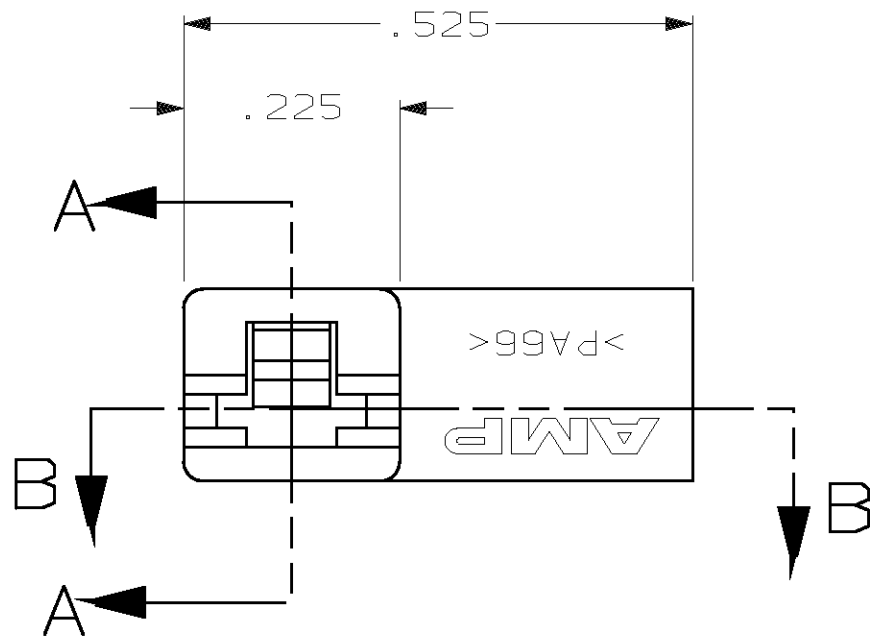
THIS DRAWING IS UNPUBLISHED. RELEASED FOR PUBLICATION, 19
 © COPYRIGHT 19 BY AMP INCORPORATED. ALL INTERNATIONAL RIGHTS RESERVED.

LOC	DIST	P	F	ZONE	LTR	DESCRIPTION	DATE	APPD
AF	50				D	REV PER 0L10-0295-97	7/23/97	JR/RB

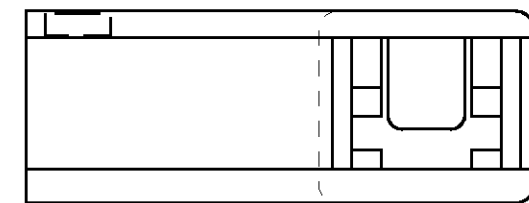
1 TO BE USED WITH TERMINAL #61070.



SECTION B-B



SECTION A-A



360040-1

PART NO

AMP

AMP Incorporated
 Harrisburg, PA 17105-3608

NAME
 HOUSING, FASTON™ .110 SERIES

DO NOT SCALE PRINT.
 UNLESS SPECIFIED
 DIMENSIONS ARE IN INCHES
 TOLERANCES ON:
 2 PLC DEC ± -
 3 PLC DEC ± .015
 ANGLES ± -

MATERIAL
 6/6 NYLON

FINISH
 NATURAL

DR 2/4/91
 JR RUTH
 CHK 2/4/91
 P FORTNEY
 APPD 2/4/91
 C MEYERS
 APPD 2/4/91
 D REINER
 PRODUCT SPEC
 -
 APPLICATION SPEC
 -
 WEIGHT -

SIZE	CAGE CODE	DRAWING NO
B	00779	360040
SCALE	SHEET	
5:1	1 OF 1	