



Chipsmall Limited consists of a professional team with an average of over 10 year of expertise in the distribution of electronic components. Based in Hongkong, we have already established firm and mutual-benefit business relationships with customers from,Europe,America and south Asia,supplying obsolete and hard-to-find components to meet their specific needs.

With the principle of “Quality Parts,Customers Priority,Honest Operation,and Considerate Service”,our business mainly focus on the distribution of electronic components. Line cards we deal with include Microchip,ALPS,ROHM,Xilinx,Pulse,ON,Everlight and Freescale. Main products comprise IC,Modules,Potentiometer,IC Socket,Relay,Connector.Our parts cover such applications as commercial,industrial, and automotives areas.

We are looking forward to setting up business relationship with you and hope to provide you with the best service and solution. Let us make a better world for our industry!



## Contact us

Tel: +86-755-8981 8866 Fax: +86-755-8427 6832

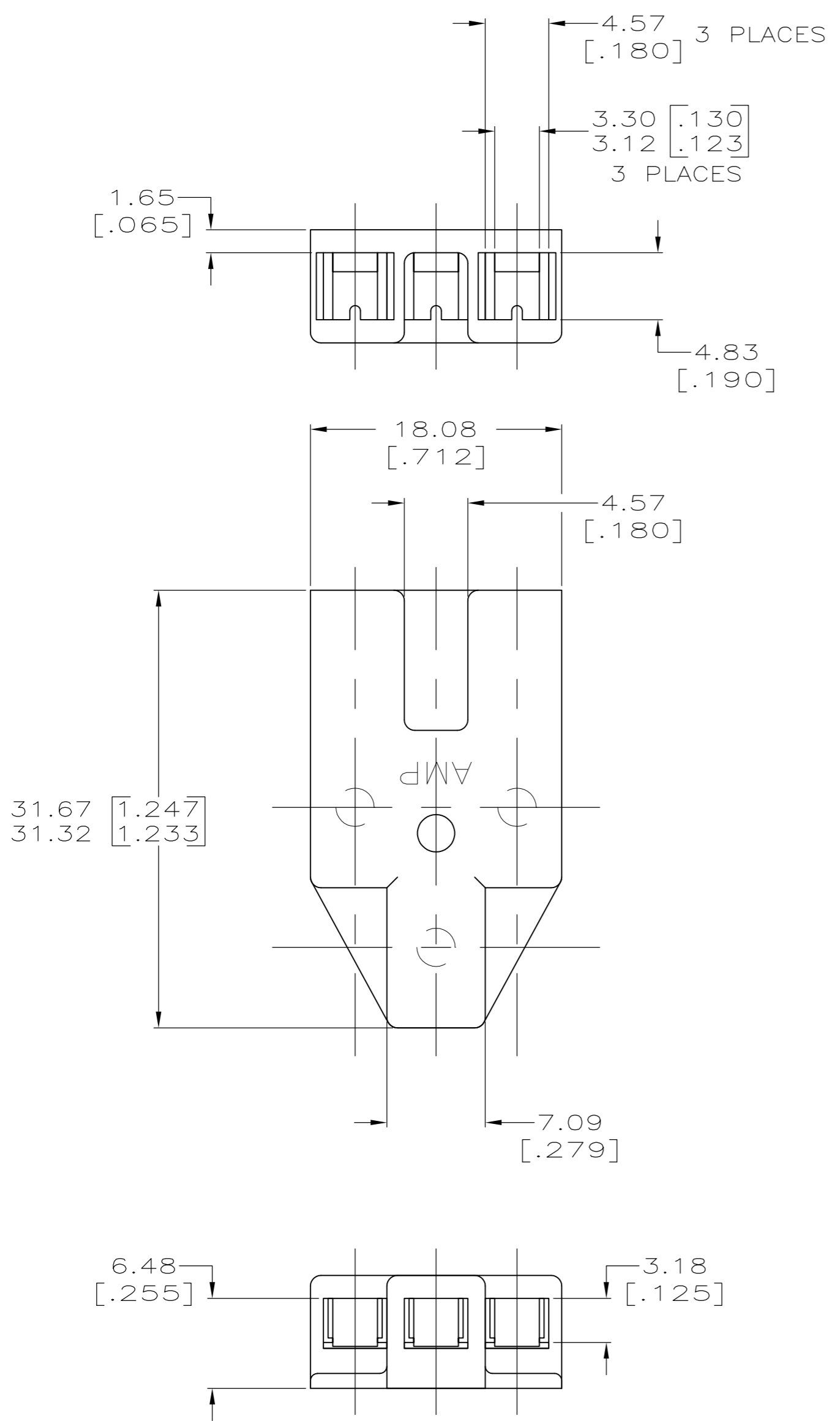
Email & Skype: info@chipsmall.com Web: www.chipsmall.com

Address: A1208, Overseas Decoration Building, #122 Zhenhua RD., Futian, Shenzhen, China

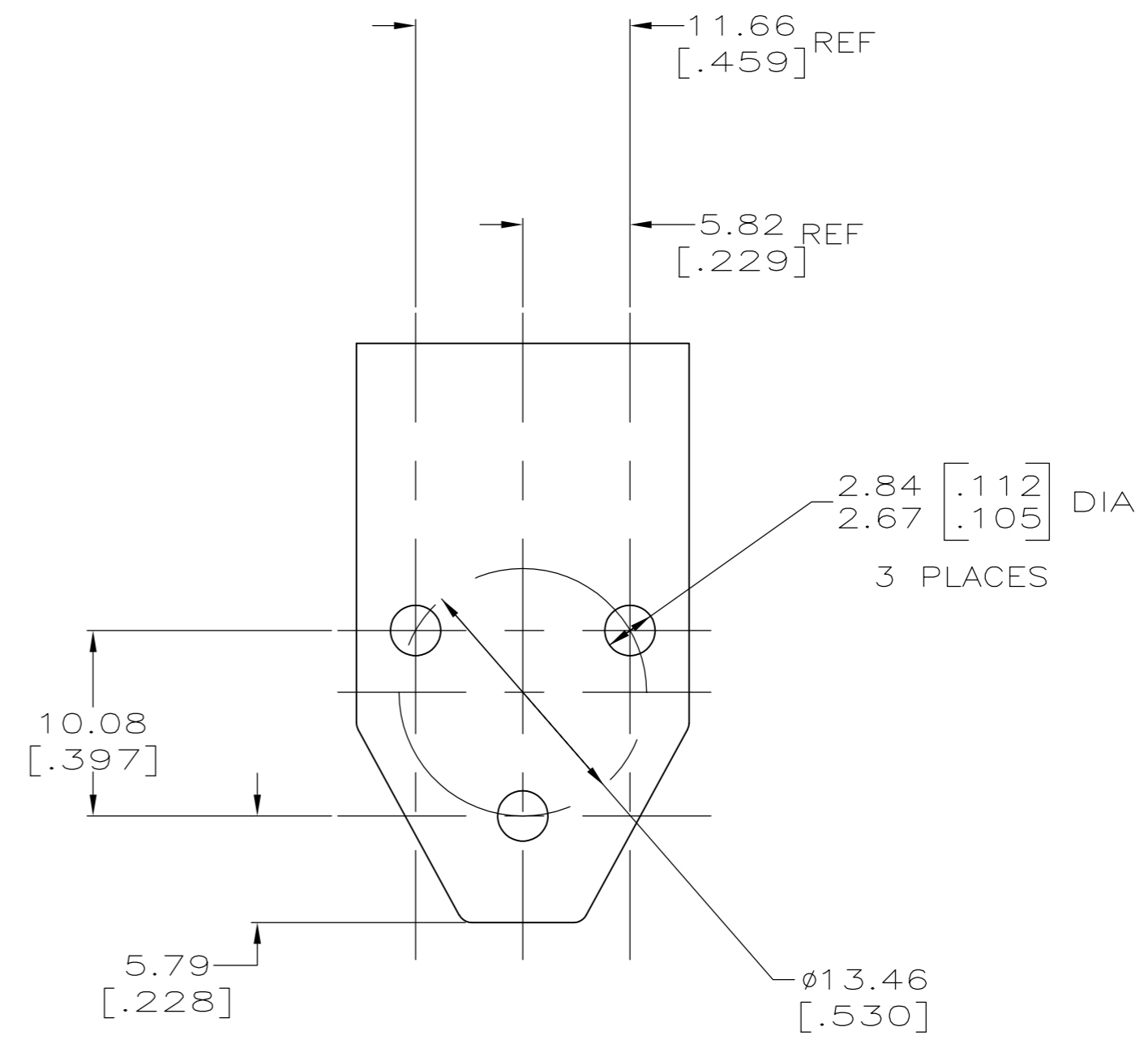


THIS DRAWING IS UNPUBLISHED. RELEASED FOR PUBLICATION  
 © COPYRIGHT BY TYCO ELECTRONICS CORPORATION. ALL INTERNATIONAL RIGHTS RESERVED.

LOC		DIST		REVISIONS			
P	LTR	DESCRIPTION		DATE	DWN	APVD	
AF	50	K		REVISED PER ECR-09-006862	12AUG09	HMR	GJ



1 HOUSING ACCEPTS 2.29 [0.090] DIA CLUSTER BLOCK PIN RECEPTACLE.  
 2 PRELIMINARY - NOT FOR PRODUCTION



VALOX 420 OR EQUIVALENT	2 360050-2
PBT UNFILLED	360050-1
MATERIAL	PART NUMBER

THIS DRAWING IS A CONTROLLED DOCUMENT.		DWN 03NOV1999 MICHAEL S. FEHER	Tyco Electronics Corporation Harrisburg, PA 17105-3608	
DIMENSIONS: mm	TOLERANCES UNLESS OTHERWISE SPECIFIED:	CHK 05NOV1999 PETE DESANTIS	NAME HOUSING, CLUSTER BLOCK, 2.29 [0.090] DIA	
	0 PLC ± -	APVD 05NOV1999 PETE DESANTIS	PRODUCT SPEC	108-2008
	1 PLC ± -		APPLICATION SPEC	114-2019
MATERIAL SEE TABLE	FINISH NATURAL	WEIGHT -	SIZE A2	CAGE CODE 00779
CUSTOMER DRAWING			SCALE 3:1	SHEET 1 OF 1