



Chipsmall Limited consists of a professional team with an average of over 10 year of expertise in the distribution of electronic components. Based in Hongkong, we have already established firm and mutual-benefit business relationships with customers from,Europe,America and south Asia,supplying obsolete and hard-to-find components to meet their specific needs.

With the principle of “Quality Parts,Customers Priority,Honest Operation,and Considerate Service”,our business mainly focus on the distribution of electronic components. Line cards we deal with include Microchip,ALPS,ROHM,Xilinx,Pulse,ON,Everlight and Freescale. Main products comprise IC,Modules,Potentiometer,IC Socket,Relay,Connector.Our parts cover such applications as commercial,industrial, and automotives areas.

We are looking forward to setting up business relationship with you and hope to provide you with the best service and solution. Let us make a better world for our industry!



## Contact us

Tel: +86-755-8981 8866 Fax: +86-755-8427 6832

Email & Skype: info@chipsmall.com Web: www.chipsmall.com

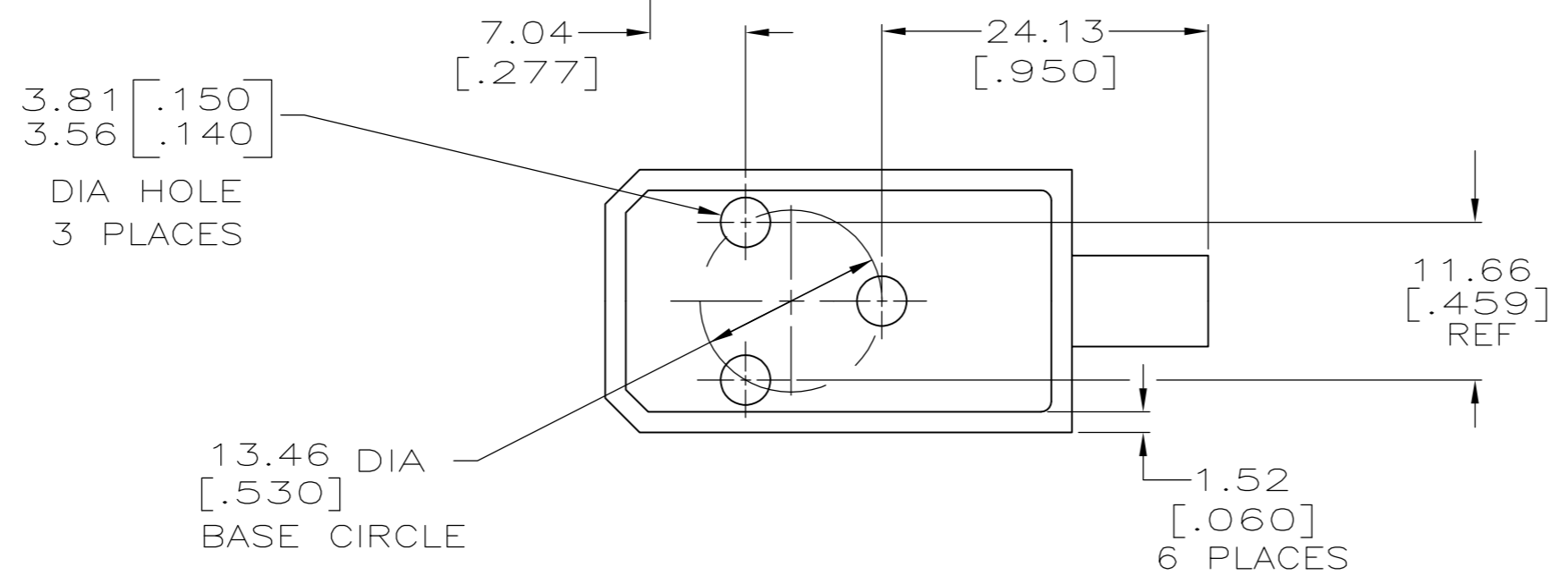
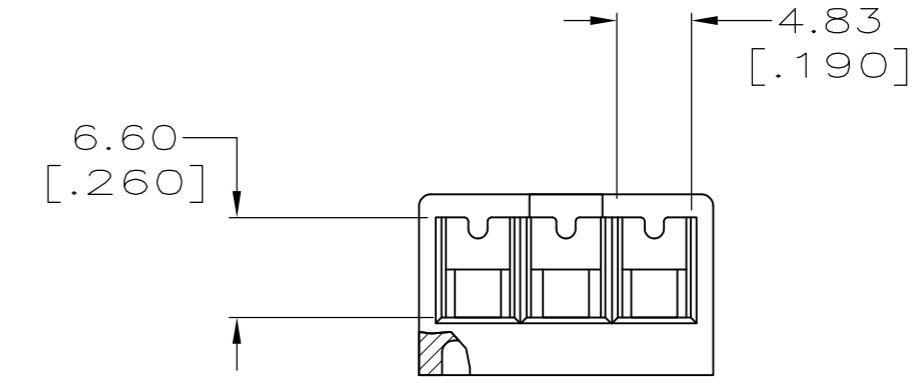
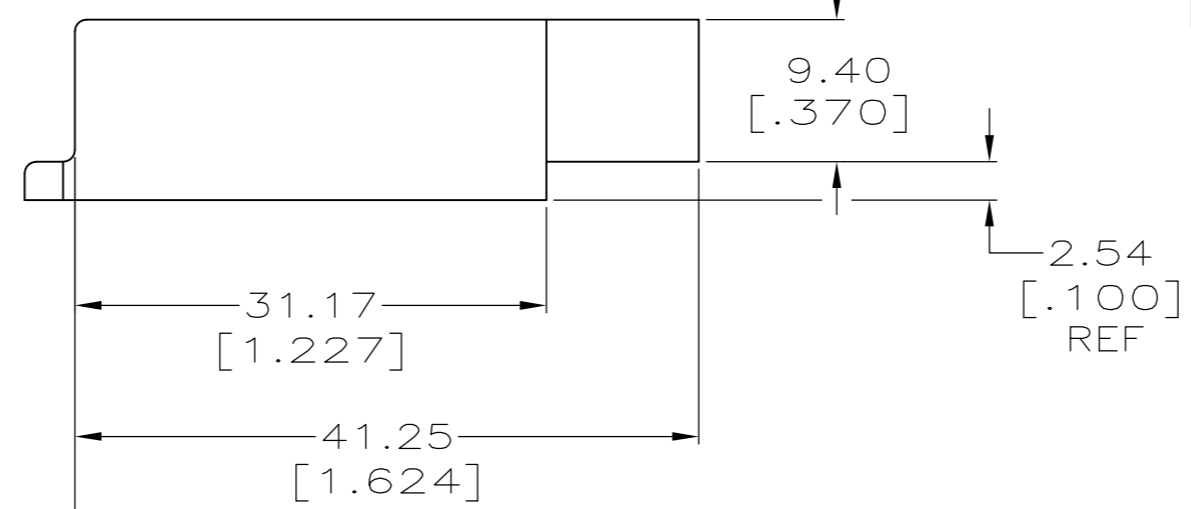
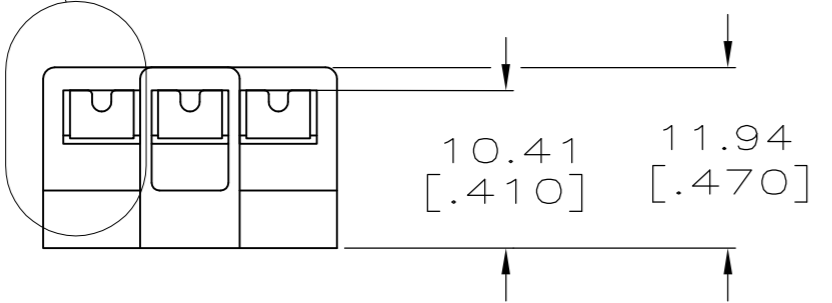
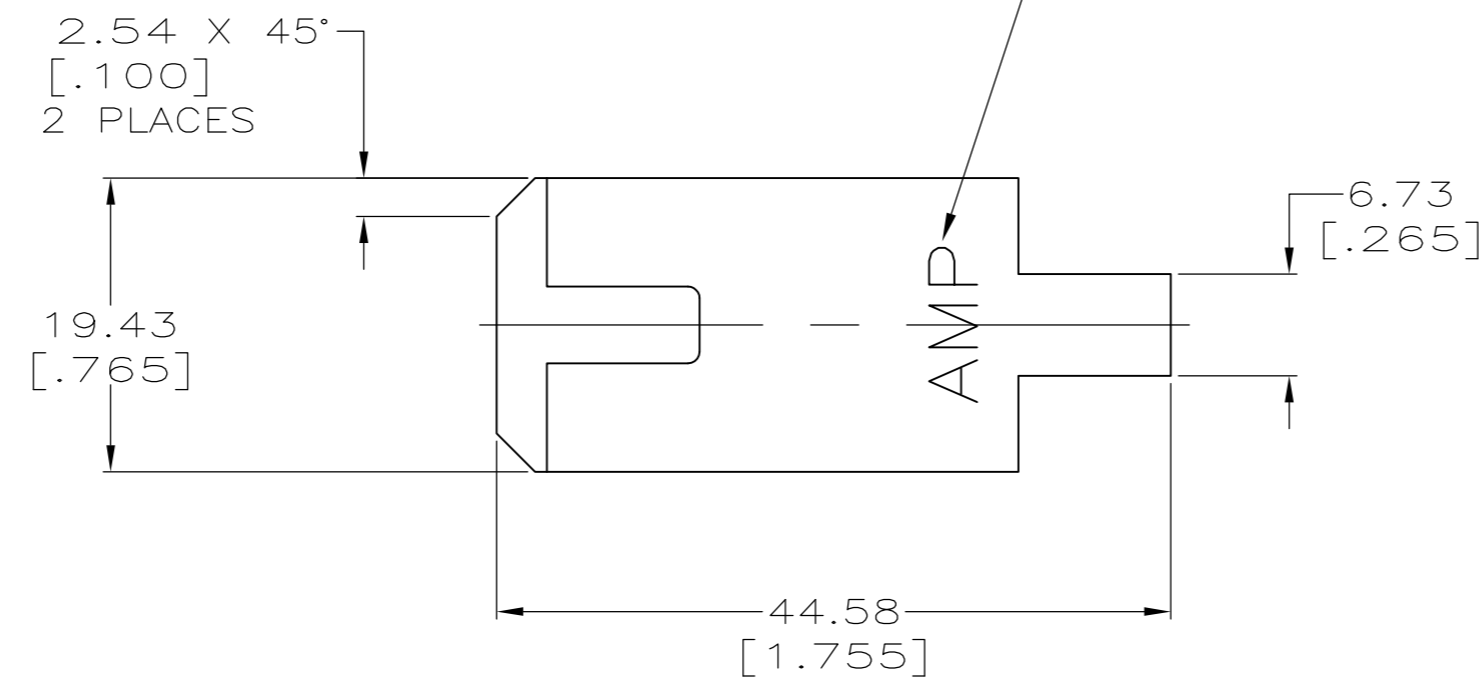
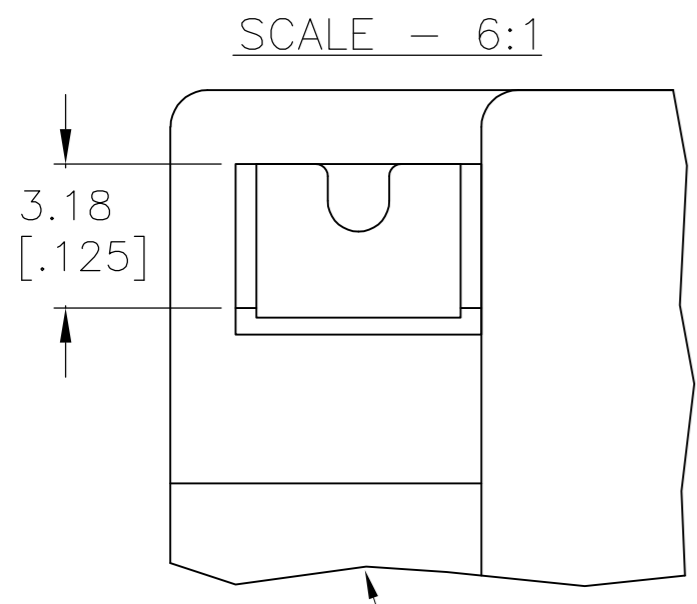
Address: A1208, Overseas Decoration Building, #122 Zhenhua RD., Futian, Shenzhen, China



THIS DRAWING IS UNPUBLISHED. RELEASED FOR PUBLICATION  
 © COPYRIGHT BY TYCO ELECTRONICS CORPORATION. ALL RIGHTS RESERVED.

LOC	DIST	REVISIONS			
P	LTR	DESCRIPTION	DATE	DWN	APVD
AF	50				
		REVISED PER ECR-09-006852	21APR10	HMR	GJ

- 1 HOUSING ACCEPTS 3.18[.125] DIA CLUSTER PIN RECEPTACLES
- 2 AMP OR TE LOGO LOCATED ON TOP OR BOTTOM SURFACE OF HOUSING.



360051-1  
PART NUMBER

THIS DRAWING IS A CONTROLLED DOCUMENT.		DWN SCOTT URICH 28JUL98	Tyco Electronics Corporation Harrisburg, PA 17105-3608	
DIMENSIONS: mm [INCHES]		CHK MICHAEL S. FEHER 03AUG98	NAME	
TOLERANCES UNLESS OTHERWISE SPECIFIED:		APVD DENNY SCHWENK 17AUG98	PRODUCT SPEC	
0 PLC ± -		108-2008		
1 PLC ± -		APPLICATION SPEC		
2 PLC ± 0.25 [.010]		114-2019		
3 PLC ± -		WEIGHT	SIZE	CAGE CODE
4 PLC ± -		-	A2	00779
ANGLES ± -		DRAWING NO		RESTRICTED TO
FINISH		C=360051		-
PBT UNFILLED		CUSTOMER DRAWING		SCALE 2:1 SHEET 1 OF 1 REV L