



Chipsmall Limited consists of a professional team with an average of over 10 year of expertise in the distribution of electronic components. Based in Hongkong, we have already established firm and mutual-benefit business relationships with customers from,Europe,America and south Asia,supplying obsolete and hard-to-find components to meet their specific needs.

With the principle of “Quality Parts,Customers Priority,Honest Operation,and Considerate Service”,our business mainly focus on the distribution of electronic components. Line cards we deal with include Microchip,ALPS,ROHM,Xilinx,Pulse,ON,Everlight and Freescale. Main products comprise IC,Modules,Potentiometer,IC Socket,Relay,Connector.Our parts cover such applications as commercial,industrial, and automotives areas.

We are looking forward to setting up business relationship with you and hope to provide you with the best service and solution. Let us make a better world for our industry!



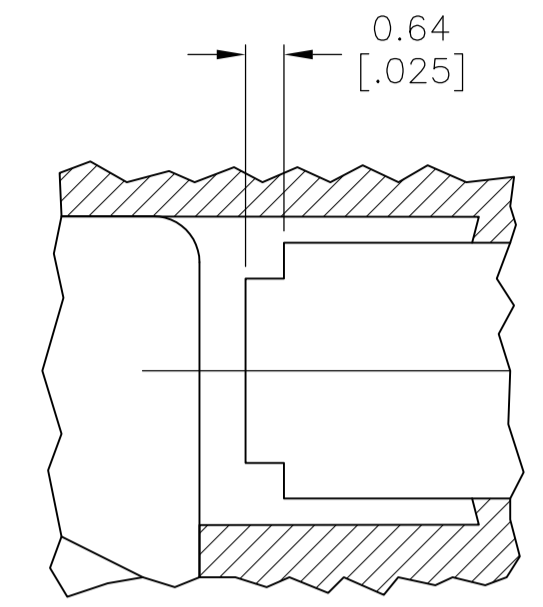
Contact us

Tel: +86-755-8981 8866 Fax: +86-755-8427 6832

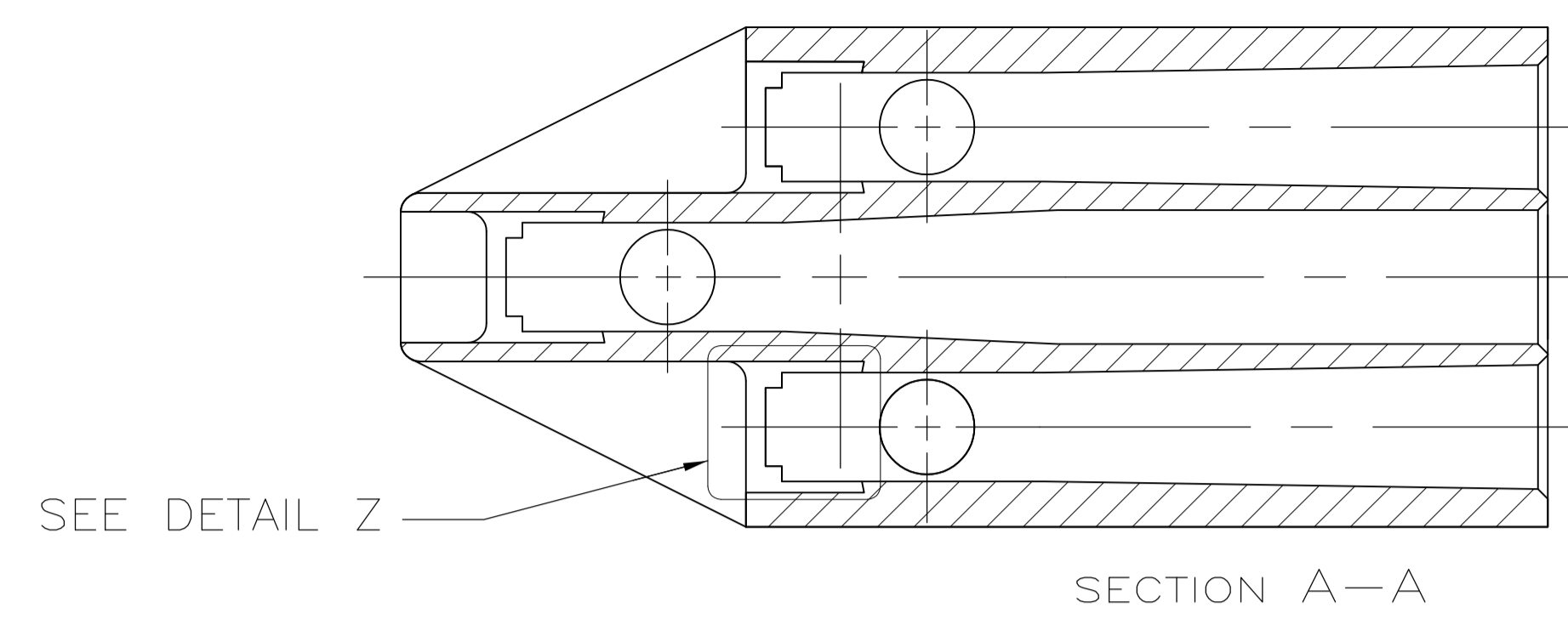
Email & Skype: info@chipsmall.com Web: www.chipsmall.com

Address: A1208, Overseas Decoration Building, #122 Zhenhua RD., Futian, Shenzhen, China

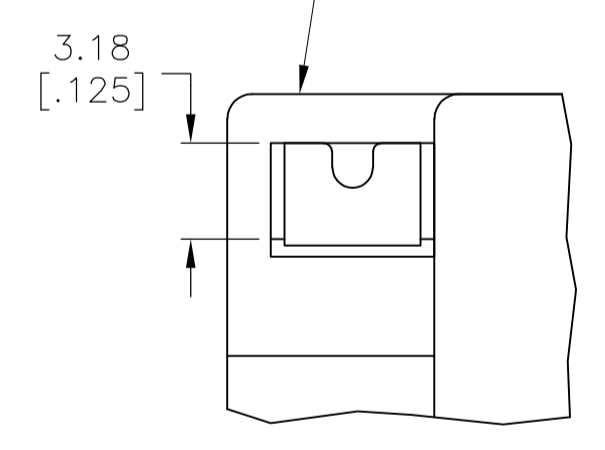
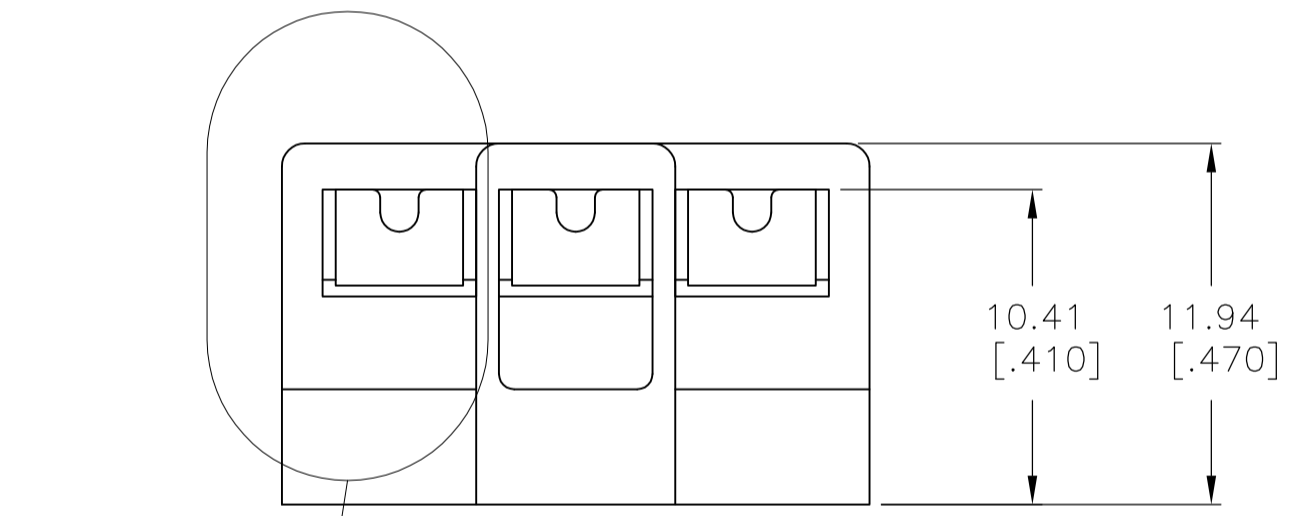
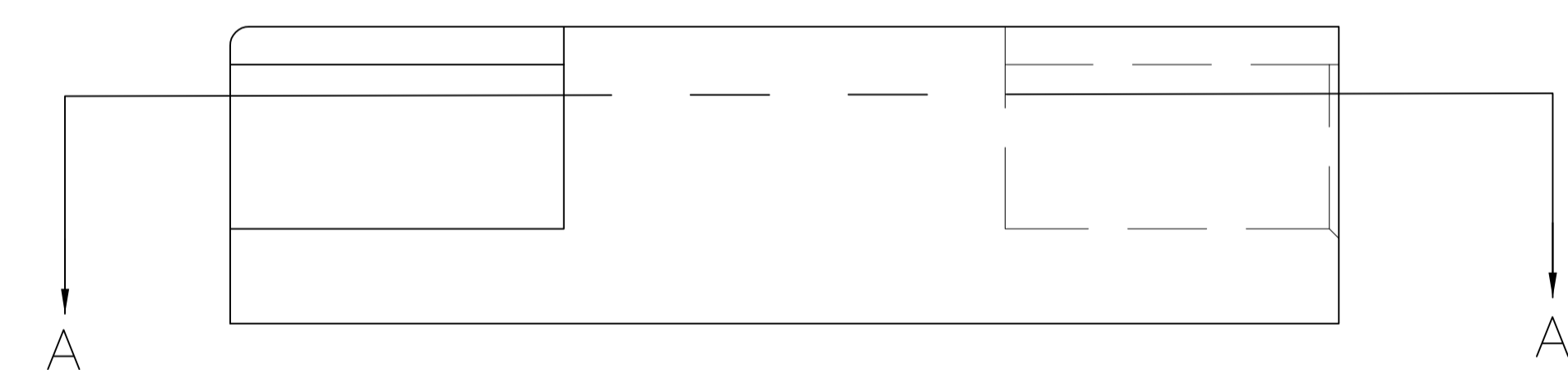
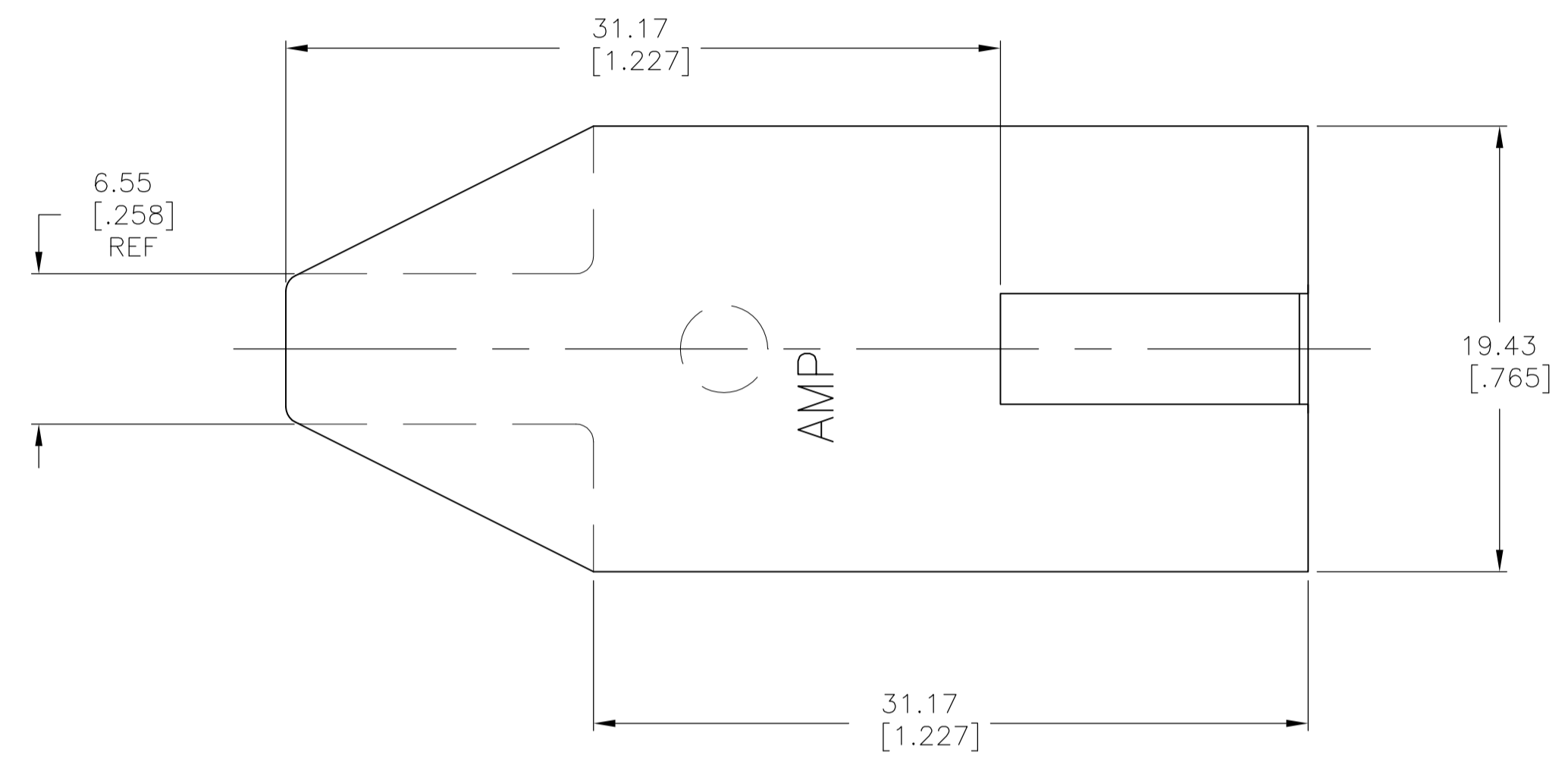




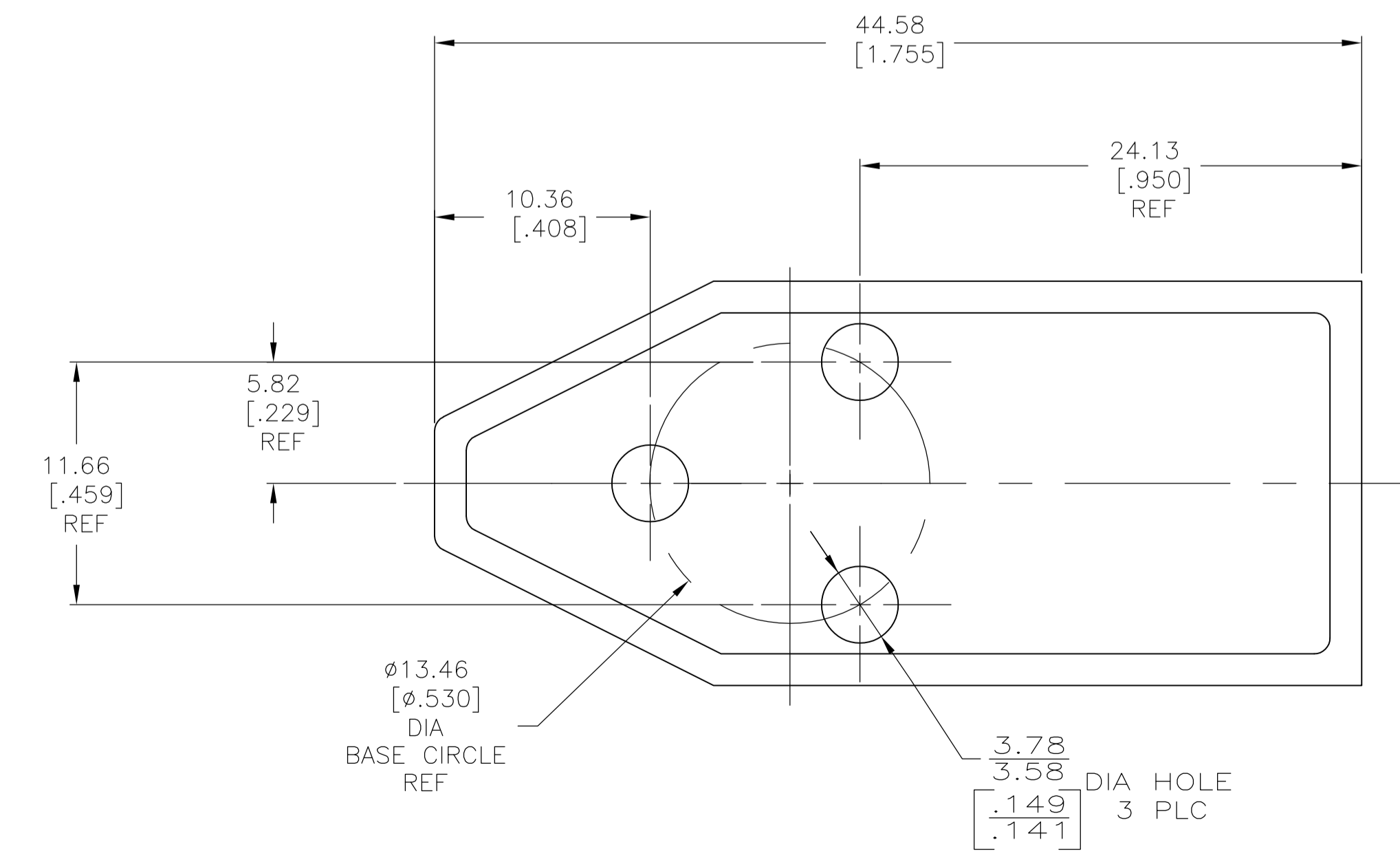
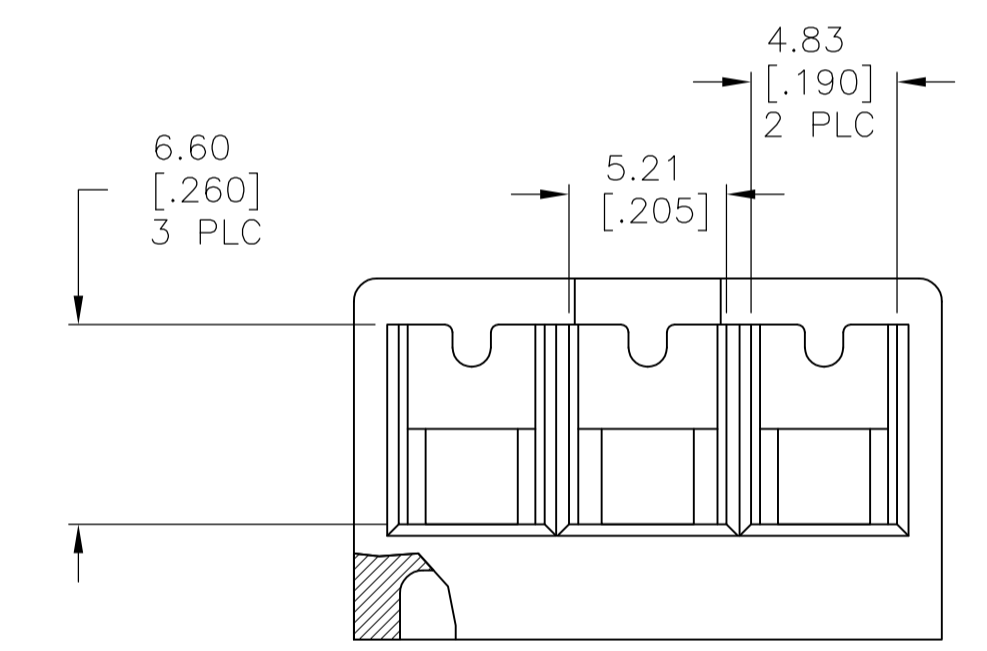
DETAIL Z
SCALE 8:1
TYP



1 HOUSING ACCEPTS 3.18 [.125] DIA CLUSTER PIN RECEPTACLES
AMP PART NOS



SCALE - 10:1



| | | |
|----------------------------------|---------------|----------|
| FOREIGN PRODUCTION ONLY | VALOX 325 | 360052-3 |
| OBSELETE FOREIGN PRODUCTION ONLY | CRASTIN S-600 | 360052-2 |
| | PBT UNFILLED | 360052-1 |
| | MATERIAL | PART NO |

| | | | | |
|--|--|---------------------------------|---|--|
| THIS DRAWING IS A CONTROLLED DOCUMENT. | | DIN PHILLIP M FORTNEY 22/MAY/96 | Tyco Electronics Corporation Harrisburg, PA 17105-3608 | |
| DIMENSIONS: mm [INCHES] | | CHK JEFF R RUTH 22/MAY/96 | NAME DON DECKER 22/MAY/96 | |
| TOLERANCES UNLESS OTHERWISE SPECIFIED: | | PRODUCT SPEC 108-2008 | | |
| 0 PLC ± - | | APPLICATION SPEC 114-2019 | | |
| 1 PLC ± - | | SIZE A1 | | |
| 2 PLC ± 0.25 [.010] | | CAGE CODE 00779 | | |
| 3 PLC ± - | | DRAWING NO 360052 | | |
| 4 PLC ± - | | RESTRICTED TO | | |
| ANGLES ± - | | CUSTOMER DRAWING | | |
| FINISH - | | SCALE 4:1 SHEET 1 OF 1 REV T | | |