



Chipsmall Limited consists of a professional team with an average of over 10 year of expertise in the distribution of electronic components. Based in Hongkong, we have already established firm and mutual-benefit business relationships with customers from,Europe,America and south Asia,supplying obsolete and hard-to-find components to meet their specific needs.

With the principle of “Quality Parts,Customers Priority,Honest Operation,and Considerate Service”,our business mainly focus on the distribution of electronic components. Line cards we deal with include Microchip,ALPS,ROHM,Xilinx,Pulse,ON,Everlight and Freescale. Main products comprise IC,Modules,Potentiometer,IC Socket,Relay,Connector.Our parts cover such applications as commercial,industrial, and automotives areas.

We are looking forward to setting up business relationship with you and hope to provide you with the best service and solution. Let us make a better world for our industry!



Contact us

Tel: +86-755-8981 8866 Fax: +86-755-8427 6832

Email & Skype: info@chipsmall.com Web: www.chipsmall.com

Address: A1208, Overseas Decoration Building, #122 Zhenhua RD., Futian, Shenzhen, China



Data Sheet

Einzelklemme M3,0

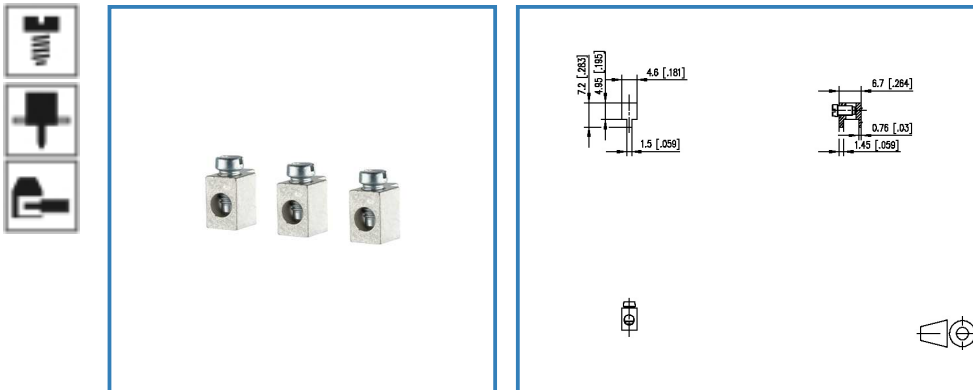
Page 1/4

P/N

360415

2018/02/01

Illustration



see enlarged drawing at the end of the document

Product specification

- screw type terminal block, solderable
- direction of connection 90°
- screw completely hand-screwed

© 2017 METZ CONNECT - Technische Änderungen vorbehalten! Subject to modifications! Sous réserve de modifications techniques!



Data Sheet

Einzelklemme M3,0

Technical Data

General Data

Tightening torque SEV	0.5 Nm
Solder pin length	2.25 mm
min. number of poles	1
max. number of poles	1
protection category	IP 00

Connection data

Rated wiring solid wire	0.5 - 2.5 mm ² / AWG 30 - 12
Rated wiring stranded wire	0.5 - 2.5 mm ² / AWG 30 - 12

Approvals

0.5 - 2.5 mm ²	AWG 30 - 12 /
---------------------------	---------------

Material

terminal body material	CuZn
terminal body surface	Ni + Sn
screw surface	Zn Cr(VI)-frei/free
screw thread	M3

General

solderability	Acc. to JEDEC JESD22-B102E 245°C/5s
Tolerance	ISO 2768 -mH



Data Sheet

Einzelklemme M3,0

Page 3/4

P/N

360415

2018/02/01

Matching Part

P/N	Product name
709087 (on request)	Tape_Klemme_24mm

Matching Part to

P/N	Product name
709087 (on request)	Tape_Klemme_24mm

Accessories

P/N	Product name
709087 (on request)	Tape_Klemme_24mm



Data Sheet

Einzelklemme M3,0

Illustration

Drawing

