



Chipsmall Limited consists of a professional team with an average of over 10 year of expertise in the distribution of electronic components. Based in Hongkong, we have already established firm and mutual-benefit business relationships with customers from,Europe,America and south Asia,supplying obsolete and hard-to-find components to meet their specific needs.

With the principle of “Quality Parts,Customers Priority,Honest Operation,and Considerate Service”,our business mainly focus on the distribution of electronic components. Line cards we deal with include Microchip,ALPS,ROHM,Xilinx,Pulse,ON,Everlight and Freescale. Main products comprise IC,Modules,Potentiometer,IC Socket,Relay,Connector.Our parts cover such applications as commercial,industrial, and automotives areas.

We are looking forward to setting up business relationship with you and hope to provide you with the best service and solution. Let us make a better world for our industry!



## Contact us

Tel: +86-755-8981 8866 Fax: +86-755-8427 6832

Email & Skype: info@chipsmall.com Web: www.chipsmall.com

Address: A1208, Overseas Decoration Building, #122 Zhenhua RD., Futian, Shenzhen, China



## General Specifications

**Motor Structure:** Shaded Pole Induction Motor  
**Motor Protection:** Impedance Protection  
**Insulation Resistance:**  
 10M Ω or over with a DC500V Megger  
**Dielectric Withstand Voltage:** AC 700V 1s  
**Allowable Ambient Temperature Range:**  
 -10°C ~ +70°C (Operating)  
 -40°C ~ +70°C (Storage)  
 (non-condensing environment)

## Expected Life

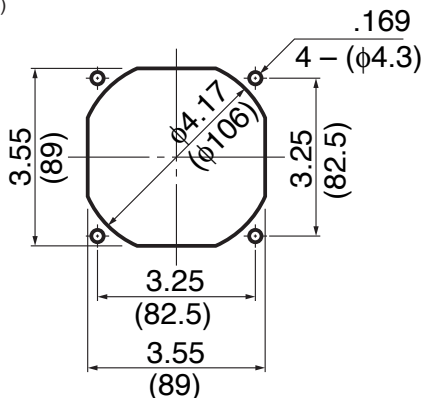
**Failure Rate: 10%**  
 25°C 100,000 Hours

## Material

**Casing** : Aluminum (Black Painting)  
**Impeller** : Plastic (Black) UL94V-0  
**Bearing** : Ball Bearing  
**Lead Wire** : AWG22, UL3266  
**or Terminal** : Faston #110 or equivalent

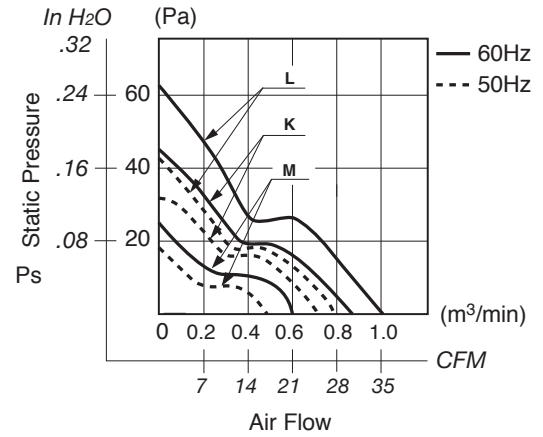
## Panel Cut-Outs

Units:  $\frac{\text{inch}}{\text{mm}}$

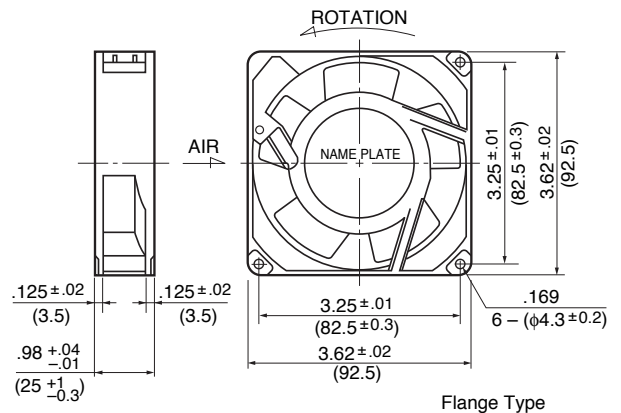


INLET SIDE / OUTLET SIDE

## Characteristic Curves



## Outline



Flange Type

## Specifications

MODEL	LEGACY P/N	Rated Voltage	Frequency	Starting Voltage	Current	Input Power	Speed	Max. Air Flow		Max. Static Pressure		Noise	Mass
		(V)	(Hz)	(V)	(A) <sup>1</sup>	(W)	(min <sup>-1</sup> ) <sup>2</sup>	CFM <sup>1</sup>	(m <sup>3</sup> /min) <sup>2</sup>	in H <sub>2</sub> O	(Pa) <sup>2</sup>	(dB) <sup>2</sup>	(g)
** 09225PB-A0J-EA-00	3610PS-10T-B10-B00	100	50	65	0.100	7.0	1450	16.0	0.46	.05	13.7	23.0	300
		100	60	65	0.090	6.0	1800	20.0	0.58	.08	19.6	26.0	300
** 09225PB-A0K-EA-00	3610PS-10T-B20-B00	100	50	65	0.095	7.0	2100	21.0	0.60	.11	27.4	30.0	300
		100	60	65	0.085	6.0	2500	28.0	0.80	.16	39.2	35.0	300
** 09225PB-A0L-EA-00	3610PS-10T-B30-B00	100	50	65	0.190	13.0	2600	28.0	0.80	.17	43.1	33.5	300
		100	60	65	0.150	10.0	3100	34.5	0.98	.24	60.7	38.0	300
09225PB-A1J-EA-00	3610PS-12T-B10-A00	115	50	75	0.090	7.0	1450	16.0	0.46	.05	13.7	22.0	300
		115	60	75	0.080	6.0	1800	20.0	0.58	.08	19.6	25.0	300
09225PB-A1K-EA-00	3610PS-12T-B20-A00	115	50	75	0.095	7.0	2100	21.0	0.60	.12	29.4	30.0	300
		115	60	75	0.090	6.0	2500	28.0	0.80	.16	39.2	35.0	300
09225PB-A1L-EA-00	3610PS-12T-B30-A00	115	50	75	0.170	12.0	2600	28.0	0.80	.17	43.1	33.5	300
		115	60	75	0.130	9.0	3100	34.5	0.98	.24	60.7	38.0	300
** 09225PB-B0J-EA-00	3610PS-20T-B10-B00	200	50	130	0.045	7.0	1500	16.0	0.46	.05	13.7	24.0	300
		200	60	130	0.040	6.0	1900	21.0	0.60	.08	19.6	27.0	300
** 09225PB-B0K-EA-00	3610PS-20T-B20-B00	200	50	130	0.060	7.0	2100	22.9	0.65	.11	27.4	30.0	300
		200	60	160	0.050	6.0	2500	28.0	0.80	.16	39.0	35.0	300
** 09225PB-B0L-EA-00	3610PS-20T-B30-B00	200	50	130	0.100	13.0	2600	28.0	0.80	.17	43.1	33.5	300
		200	60	130	0.080	10.0	3100	34.5	0.98	.24	60.7	38.0	300
** 09225PB-B2J-EA-00	3610PS-22T-B10-B00	220	50	165	0.050	8.0	1450	16.0	0.46	.05	13.7	23.0	300
		220	60	165	0.040	7.0	1800	21.0	0.60	.08	19.6	26.0	300
** 09225PB-B2K-EA-00	3610PS-22T-B20-B00	220	50	165	0.050	6.5	2100	21.0	0.60	.12	29.4	30.0	300
		220	60	165	0.050	5.5	2500	28.0	0.80	.15	38.2	35.0	300
** 09225PB-B2L-EA-00	3610PS-22T-B30-B00	220	50	165	0.100	13.0	2600	28.0	0.80	.17	43.1	34.0	300
		220	60	165	0.080	10.0	3100	34.5	0.98	.24	60.7	39.0	300
09225PB-B3J-EA-00	3610PS-23T-B10-A00	230	50	180	0.050	7.0	1450	16.0	0.46	.05	13.7	22.0	300
		230	60	180	0.040	6.0	1800	20.0	0.58	.08	19.6	26.0	300
09225PB-B3K-EA-00	3610PS-23T-B20-A00	230	50	180	0.050	7.0	2100	21.0	0.60	.12	29.4	30.0	300
		230	60	180	0.050	6.0	2500	28.0	0.80	.16	39.2	35.0	300
09225PB-B3L-EA-00	3610PS-23T-B30-A00	230	50	180	0.090	13.0	2600	28.0	0.80	.17	43.1	34.0	300
		230	60	180	0.070	10.0	3100	34.5	0.98	.24	60.7	39.0	300
** 09225PB-B4J-EA-00	3610PS-24T-B10-A00	240	50	180	0.050	8.0	1450	16.0	0.46	.05	13.7	24.0	300
		240	60	180	0.045	7.0	1800	21.0	0.60	.08	19.6	27.0	300
** 09225PB-B4K-EA-00	3610PS-24T-B20-A00	240	50	180	0.050	9.0	2100	21.0	0.60	.12	29.4	30.0	300
		240	60	180	0.050	8.0	2500	28.0	0.80	.16	39.2	35.0	300
** 09225PB-B4L-EA-00	3610PS-24T-B30-A00	240	50	180	0.085	13.0	2600	28.0	0.80	.17	43.1	34.0	300
		240	60	180	0.065	10.0	3100	34.5	0.98	.24	60.7	39.0	300

Rotation: Counterclockwise      Airflow Outlet: Air Out Over Struts  
 \*\* Contact NMB for Availability

\*1: Maximum Values in Free Air  
 \*2: Average Values in Free Air  
 \*3: Minimum Values in Free Air