



Chipsmall Limited consists of a professional team with an average of over 10 year of expertise in the distribution of electronic components. Based in Hongkong, we have already established firm and mutual-benefit business relationships with customers from,Europe,America and south Asia,supplying obsolete and hard-to-find components to meet their specific needs.

With the principle of “Quality Parts,Customers Priority,Honest Operation,and Considerate Service”,our business mainly focus on the distribution of electronic components. Line cards we deal with include Microchip,ALPS,ROHM,Xilinx,Pulse,ON,Everlight and Freescale. Main products comprise IC,Modules,Potentiometer,IC Socket,Relay,Connector.Our parts cover such applications as commercial,industrial, and automotives areas.

We are looking forward to setting up business relationship with you and hope to provide you with the best service and solution. Let us make a better world for our industry!



## Contact us

Tel: +86-755-8981 8866 Fax: +86-755-8427 6832

Email & Skype: info@chipsmall.com Web: www.chipsmall.com

Address: A1208, Overseas Decoration Building, #122 Zhenhua RD., Futian, Shenzhen, China





**BOURNS®**

## Features

- Snap-in or bushing mount options
- Standard resistance values available
- Digital dial provides excellent readability

## 3610 - 10-Turn Precision Knobpot®

### Electrical Characteristics<sup>1</sup>

Standard Resistance Range.....	100 to 100 K ohms
Total Resistance Tolerance.....	±5 %
Effective Electrical Angle.....	3600 ° nominal
Absolute Minimum Resistance.....	1 ohm or 0.1 % maximum (whichever is greater)
Noise.....	100 ohms ENR maximum
Dielectric Withstanding Voltage (MIL-STD-202, Method 301)	
Sea Level.....	1,000 VAC minimum
70,000 Feet.....	400 VAC minimum
Power Rating (Voltage Limited By Power Dissipation or 385 VAC, Whichever is Less)	
+25 °C.....	1.5 watts
+85 °C.....	0 watt
Insulation Resistance (500 VDC).....	1,000 megohms minimum
Resolution.....	See recommended part numbers
Accuracy (Correlation of Dial Readout to Voltage Ratio Output).....	±0.5 % voltage ratio
Repeatability of Dial Readout.....	±0.1 % voltage ratio

### Environmental Characteristics<sup>1</sup>

Operating Temperature Range.....	+1 °C to +85 °C
Storage Temperature Range.....	-25 °C to +85 °C
Temperature Coefficient Over Storage Temperature Range <sup>2</sup> .....	±50 ppm/°C maximum/wire
Vibration.....	10 G
Wiper Bounce.....	0.1 millisecond maximum
Total Resistance Shift.....	±2 % maximum
Voltage Ratio Shift.....	±0.2 % maximum
Shock.....	50 G
Wiper Bounce.....	0.1 millisecond maximum
Total Resistance Shift.....	±2 % maximum
Voltage Ratio Shift.....	±0.2 % maximum
Load Life.....	1,000 hours, 1.5 watts
Total Resistance Shift.....	±2 % maximum
Rotational Life (No Load).....	50,000 shaft revolutions
Total Resistance Shift.....	±2 % maximum
Moisture Resistance (MIL-STD-202, Method 103, Condition B)	
Total Resistance Shift.....	±2 % maximum
IP Rating.....	IP 60

### Mechanical Characteristics<sup>1</sup>

Stop Strength.....	14 N-cm (20 oz.-in.) minimum
Mechanical Angle.....	3600 ° +20 °, -0 °
Torque (Starting).....	0.71 to 4.94 N-cm (1.0 to 7.0 oz.-in.) maximum
Torque (Running).....	4.94 N-cm (7.0 oz.-in.) maximum
Variation.....	0.71 N-cm (1.0 oz.-in.) maximum
Backlash.....	1.0 ° maximum
Weight.....	Approximately 20 gm
Terminals.....	Gold-plated J-Hooks
Soldering Condition	
Manual Soldering.....	96.5Sn/3.0Ag/0.5Cu solid wire or no-clean rosin cored wire; 370 °C (700 °F) max. for 3 seconds
Wave Soldering.....	96.5Sn/3.0Ag/0.5Cu solder with no-clean flux; 260 °C (500 °F) max. for 5 seconds
Wash processes.....	Not recommended
Markings.....	Manufacturer's name and part number, resistance value and tolerance, wiring diagram, and date code

<sup>1</sup>At room ambient: +25 °C nominal and 50 % relative humidity nominal, except as noted.

### Recommended Part Numbers

Part Number	Resistance (Ω)	Resolution (%)
3610S-1-102	1,000	.035
3610S-1-502	5,000	.027
3610S-1-103	10,000	.022

Part Number	Resistance (Ω)	Resolution (%)
3610S-2-102	1,000	.035
3610S-2-502	5,000	.027
3610S-2-103	10,000	.022

**BOLDFACE LISTINGS ARE IN STOCK AND READILY AVAILABLE THROUGH DISTRIBUTION.**

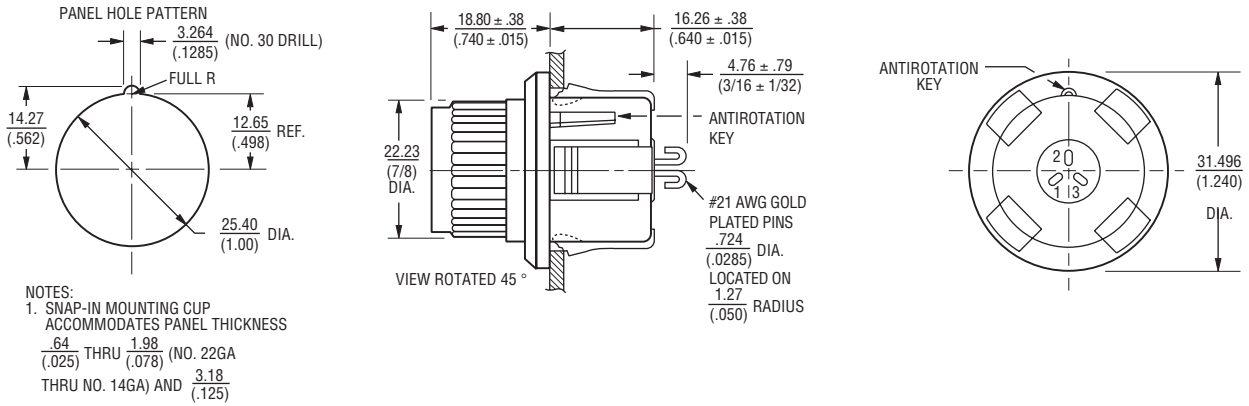
FOR OTHER OPTIONS AND RESISTANCE VALUES, PLEASE CONSULT THE FACTORY.

# 3610 - 10-Turn Precision Knobpot®

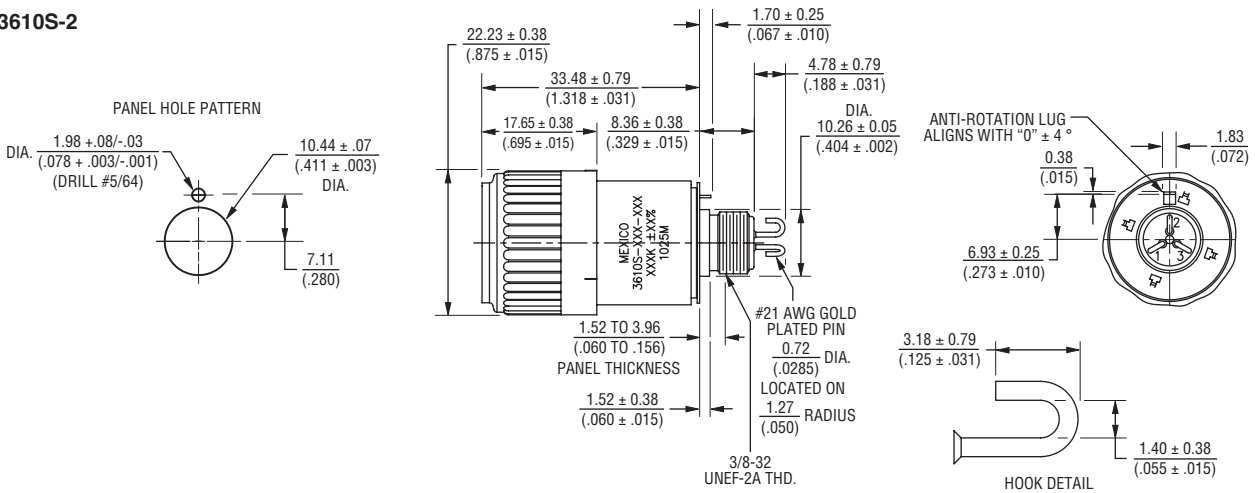
**BOURNS®**

## Product Dimensions

### 3610S-1



### 3610S-2



TOLERANCES: EXCEPT WHERE NOTED  
 DECIMALS: .XX ± .25 (.010), .XXX ± .13 (.005)  
 FRACTIONS: ± 1/64  
 DIMENSIONS:  $\frac{MM}{(IN.)}$

