



Chipsmall Limited consists of a professional team with an average of over 10 year of expertise in the distribution of electronic components. Based in Hongkong, we have already established firm and mutual-benefit business relationships with customers from,Europe,America and south Asia,supplying obsolete and hard-to-find components to meet their specific needs.

With the principle of "Quality Parts,Customers Priority,Honest Operation,and Considerate Service",our business mainly focus on the distribution of electronic components. Line cards we deal with include Microchip,ALPS,ROHM,Xilinx,Pulse,ON,Everlight and Freescale. Main products comprise IC,Modules,Potentiometer,IC Socket,Relay,Connector.Our parts cover such applications as commercial,industrial, and automotives areas.

We are looking forward to setting up business relationship with you and hope to provide you with the best service and solution. Let us make a better world for our industry!



## Contact us

Tel: +86-755-8981 8866 Fax: +86-755-8427 6832

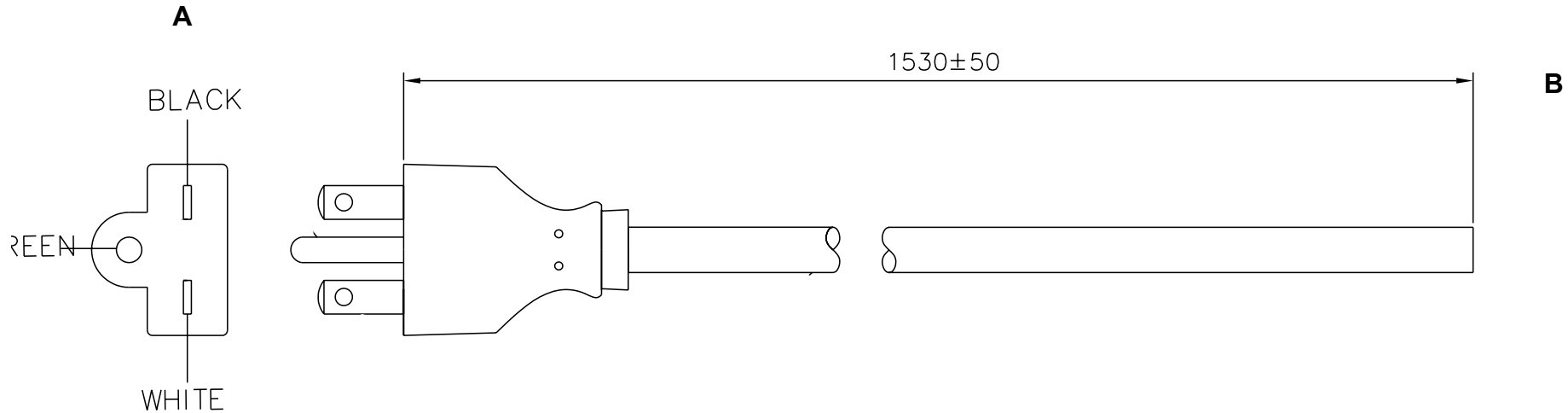
Email & Skype: info@chipsmall.com Web: www.chipsmall.com

Address: A1208, Overseas Decoration Building, #122 Zhenhua RD., Futian, Shenzhen, China



PROPRIETARY INFORMATION:  
 PROPRIETARY OF GLOBTEK, INC. ANY REPRODUCTION, DISCLOSURE OR  
 USE OF THIS DRAWING, IN WHOLE OR IN PART, IS HEREBY  
 PROHIBITED EXCEPT AS SPECIFIED IN WRITING BY GLOBTEK, INC.

REVISION			
REV	DESCRIPTION	DATE	APPROVED
A	INITIAL RELEASE, RFS.4276, FS	08/12/04	BS
B	REVISE DRAWING, RFS. 4559, DMR	09/20/04	BD



**GENERAL SPECIFICATIONS:**

RATING: 15A / 250V AC  
 CABLE TYPE / SIZE: SJT0, # 14 AWG, 3 CONDUCTOR  
 TEMPERATURE RATING: 105° C  
 CONDUCTOR COLORS: BLACK / WHITE / GREEN  
 CABLE JACKET COLOR: BLACK  
 OVERALL LENGTH (L): 1525 ± 50 MM ( 5 FT )  
 CABLE OUTER DIAMETER: 9.3 ± 0.15 MM  
 END 'A' PLUG; NEMA 6-15P  
 END 'B' CUT BLUNT  
 APPROVALS PLUG: UL, CSA OR cUL  
 APPROVALS CABLE: UL, CSA OR cUL

**PACKING:**

BULK PACKED, BUNDLES OF 25.  
 MAXIMUM SHIPPING CARTON WEIGHT IS 30 KG.

**NOTES:**

1. CORD AND PLUG MUST BE MARKED WITH APPROVAL SYMBOLS AND/ OR FILE NUMBERS.



DASH NO.	PART NO	REV.	DESCRIPTION	NOTES
<b>TABULATION BLOCK</b>				
REV.	B			
SHEET	1			
INIT.BY: FS		DATE: 08/12/04	<b>GlobTek, Inc.</b> 186 Veterans Dr. Northvale, NJ 07647 www.globtek.com Tel. 201-784-1000 Fax 201.784.0111 DWG TITLE: NORTH AMERICAN NON-DETACHABLE CORDSET	
DRAWN: NF		DATE: 08/12/04	FSCN No.: G, CC	SIZE A
APRVD: DMR		DATE: 08/12/04	SCALE: NONE	PART NO: 3611325F0BBB
				REV. B
				SHEET 1/1

Foot Note:  
 Globtek Inc. will not be liable for the safety and performance of these power product if unauthorized access and repair occurs. End user should consult the applicable UL, CSA or EN Standards for proper installation instruction.

Limitation of Use:  
 Globtek product are not authorized for use as mission critical components in life support, hazardous environment, nuclear or aircraft applications without prior written approval from the CEO of Globtek Inc.

Contents of this document are subject to change without prior notice