



Chipsmall Limited consists of a professional team with an average of over 10 year of expertise in the distribution of electronic components. Based in Hongkong, we have already established firm and mutual-benefit business relationships with customers from,Europe,America and south Asia,supplying obsolete and hard-to-find components to meet their specific needs.

With the principle of “Quality Parts,Customers Priority,Honest Operation,and Considerate Service”,our business mainly focus on the distribution of electronic components. Line cards we deal with include Microchip,ALPS,ROHM,Xilinx,Pulse,ON,Everlight and Freescale. Main products comprise IC,Modules,Potentiometer,IC Socket,Relay,Connector.Our parts cover such applications as commercial,industrial, and automotives areas.

We are looking forward to setting up business relationship with you and hope to provide you with the best service and solution. Let us make a better world for our industry!



Contact us

Tel: +86-755-8981 8866 Fax: +86-755-8427 6832

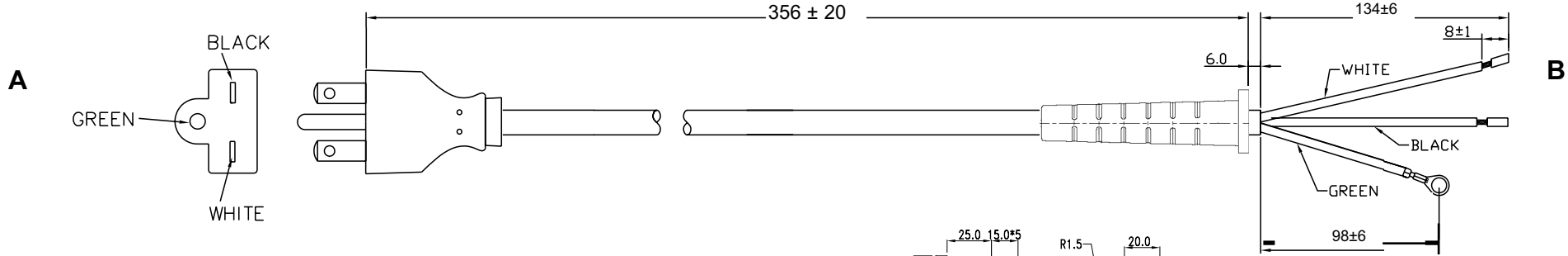
Email & Skype: info@chipsmall.com Web: www.chipsmall.com

Address: A1208, Overseas Decoration Building, #122 Zhenhua RD., Futian, Shenzhen, China



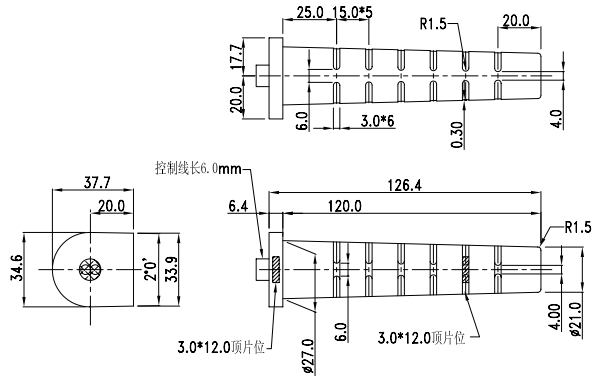
PROPRIETARY INFORMATION:
 PROPRIETARY OF GLOBTEK, INC. ANY REPRODUCTION, DISCLOSURE OR USE OF THIS DRAWING, IN WHOLE OR IN PART, IS HEREBY PROHIBITED EXCEPT AS SPECIFIED IN WRITING BY GLOBTEK, INC.

REVISION			
REV	DESCRIPTION	DATE	APPROVED
A	INITIAL RELEASE, RFS. 14561, MS	09/15/08	BS
B	UPDATE LENGTH, RFS. 14599, MS	09/22/08	BS
C	UPDATE LENGTH GROUND RING, RFS. 15059, MS	11/13/08	BS
D	UPDATE LENGTH GROUND RING TO 98 mm, RFS. 19561, MS	09/14/10	BS



1. GENERAL SPECIFICATIONS:

RATING: 15A / 250V AC
CABLE TYPE / SIZE: SOW, 14 AWG X 3
TEMPERATURE RATING: 90° C
CONDUCTOR COLORS: BLACK / WHITE / GREEN
CABLE JACKET COLOR: BLACK
OVERALL LENGTH (L): 356 ± 20 mm
END 'A' TERMINATION: NEMA 6-15P, COLOR BLACK
END 'B' TERMINATION: SEE TAB BELOW
APPROVALS PLUG: UL, CSA or cUL
APPROVALS CABLE: UL, CSA or cUL
APPROVALS CONNECTOR: UL, CSA or cUL



Wire	Color	ROJ ± 6 mm	R I J ± 1 mm	Terminal
Ground	Green	98	-	# 10 UNINSULATED RING TERMINAL
Neutral	White	134	8	STRIPPED & RETAINED
Line	Black	134	8	STRIPPED & RETAINED

2. CORD, PLUG AND CONNECTOR MUST BE MARKED WITH APPROVAL SYMBOLS OR FILE NUMBER(S).



3. PACKING:
 25 pcs BULK

- NOTES:**
- CORD SET TO HAVE UL AND CSA APPROVAL FOR OUTDOOR USE.
 - PACKAGING BULK PACKED, BUNDLES OF 25, MAXIMUM SHIPPING CARTON WEIGHT IS 30 KG.
 - TO BE PURCHASED UNDER UL CORD SETS AND POWER SUPPLY CORDS CATEGORY .
 - ACTUAL PLUG DESIGN & SHAPE MAY VARY FROM DRAWING.
 - STRAIN RELIEF SHALL PASS A STRAIN RELIEF LOAD TEST OF 35 LBS.
 - STRAIN RELIEF SHALL BE 80P PVC, DUROMETER 68 SHORE A.
 - RECEIVING CORD BOXES TO HAVE AN UL HALOGRAPHIC LABEL FILE #E119066 FOR POWER SUPPLY CORDS, ANY OTHER LABEL IS NOT ACCEPTABLE.
 - THE JOINT BETWEEN THE CORDAGE AND PLUG TO MEET NATIONAL ELECTRIC CODE SECTION 400-10.
 - TERMINALS CRIMPS MUST PASS A 30lbs MIN. PULL TEST, BEFORE MOLDING OPERATINGS.

DASH NO.	PART NO	REV.	DESCRIPTION	NOTES
TABULATION BLOCK				
		TOLERANCES: DECIMALS ANGULAR .xx +/- 0.1 +/- 1° .xxx +/- .005 MILLIMETERS ANGULAR .xx +/- 0.3 +/- 1° .xxx +/- .013		GlobTek, Inc. www.globtek.com 186 Veterans Dr. Northvale, NJ 07647 Tel. 201-784-1000 Fax 201.784.0111
INIT.BY: MS	DATE: 09/15/08	DWG TITLE: NORTH AMERICAN NON-DETACHABLE CORDSET		
DRAWN: NF	DATE: 09/15/08	FSCN No.: G, CC	SIZE: A	MODEL: N / A
APRVD: HM	DATE: 09/15/08	SCALE: NONE	PART NO: 3611781F2TRM(R)	REV. D
				SHEET 1/1

Foot Note:
 Globtek Inc. will not be liable for the safety and performance of these power product if unauthorized access and repair occurs. End user should consult the applicable UL, CSA or EN Standards for proper installation instruction.

Limitation of Use:
 Globtek product are not authorized for use as mission critical components in life support, hazardous environment, nuclear or aircraft applications without prior written approval from the CEO of Globtek Inc.

Contents of this document are subject to change without prior notice