



Chipsmall Limited consists of a professional team with an average of over 10 year of expertise in the distribution of electronic components. Based in Hongkong, we have already established firm and mutual-benefit business relationships with customers from,Europe,America and south Asia,supplying obsolete and hard-to-find components to meet their specific needs.

With the principle of “Quality Parts,Customers Priority,Honest Operation,and Considerate Service”,our business mainly focus on the distribution of electronic components. Line cards we deal with include Microchip,ALPS,ROHM,Xilinx,Pulse,ON,Everlight and Freescale. Main products comprise IC,Modules,Potentiometer,IC Socket,Relay,Connector.Our parts cover such applications as commercial,industrial, and automotives areas.

We are looking forward to setting up business relationship with you and hope to provide you with the best service and solution. Let us make a better world for our industry!



Contact us

Tel: +86-755-8981 8866 Fax: +86-755-8427 6832

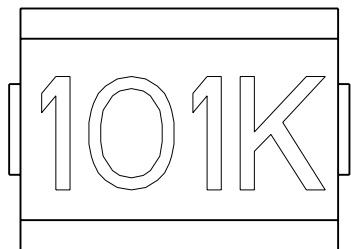
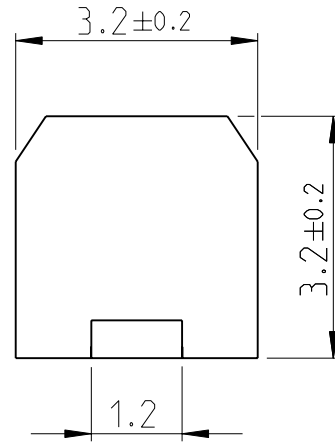
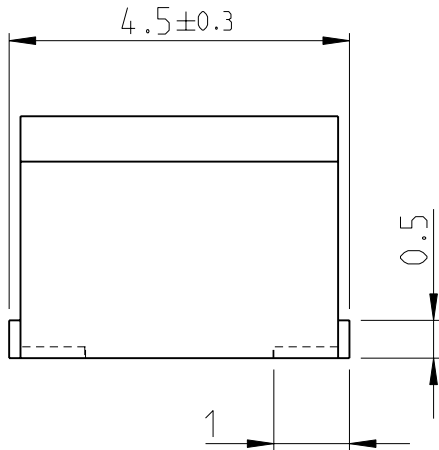
Email & Skype: info@chipsmall.com Web: www.chipsmall.com

Address: A1208, Overseas Decoration Building, #122 Zhenhua RD., Futian, Shenzhen, China

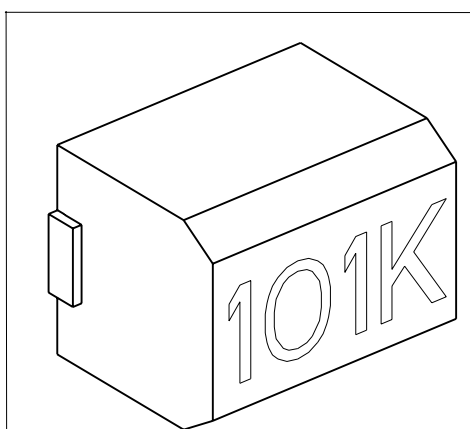


LOC	DIST	REVISIONS					
		P	LTR	DESCRIPTION	DATE	DWN	APVD
E	B		BB1	REVISED PER ECO-11-005150	29MAR2011	RK	HMR

1. FOR FURTHER INFORMATION SEE DATA SHEET FOR 3613C SERIES-MOULDED CHIP INDUCTOR 18:12
2. FROM SEPTEMBER 2010 MARKING CHANGED TO LASER CARVED BLACK FROM WHITE INK TO IMPROVE EFFICIENCY AND PRODUCTION TIME.



RoHS Compliant



2008
 RELEASED FOR PUBLICATION
 ALL RIGHTS RESERVED.
 BY -
 COPYRIGHT 2008
 THIS DRAWING IS UNPUBLISHED.

DIMENSIONS: mm TOLERANCES UNLESS OTHERWISE SPECIFIED: 0 PLC ±0.2 1 PLC ±0.1 2 PLC ± 3 PLC ± 4 PLC ± ANGLES ±5°	DWN SUBHASH.M 13-NOV-08 CHK PRAKASH.S 13-NOV-08 APVD STEPHEN.P 13-NOV-08 PRODUCT SPEC - APPLICATION SPEC - WEIGHT -	MATERIAL - FINISH -	NAME MOULDED CHIP INDUCTOR 18:12 SERIES 3613C
	TE Connectivity	SIZE A 4 CAGE CODE 00779 DRAWING NO ©= 1624094	
CUSTOMER DRAWING		SCALE 10:1	SHEET 1 OF 1 REV BB1