



Chipsmall Limited consists of a professional team with an average of over 10 year of expertise in the distribution of electronic components. Based in Hongkong, we have already established firm and mutual-benefit business relationships with customers from,Europe,America and south Asia,supplying obsolete and hard-to-find components to meet their specific needs.

With the principle of "Quality Parts,Customers Priority,Honest Operation,and Considerate Service",our business mainly focus on the distribution of electronic components. Line cards we deal with include Microchip,ALPS,ROHM,Xilinx,Pulse,ON,Everlight and Freescale. Main products comprise IC,Modules,Potentiometer,IC Socket,Relay,Connector.Our parts cover such applications as commercial,industrial, and automotives areas.

We are looking forward to setting up business relationship with you and hope to provide you with the best service and solution. Let us make a better world for our industry!



## Contact us

Tel: +86-755-8981 8866 Fax: +86-755-8427 6832

Email & Skype: info@chipsmall.com Web: www.chipsmall.com

Address: A1208, Overseas Decoration Building, #122 Zhenhua RD., Futian, Shenzhen, China





T-2  
C7A(NE-2D)  
C9A(NE-2J)  
MIDGET  
FLANGE BASE

See lamp ratings  
on page L.

# Neon Indicators

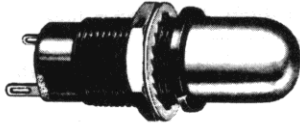
TWO TERMINALS—FULLY INSULATED  
WITH BUILT-IN RESISTORS  
FOR MOUNTING IN 15/32" CLEARANCE HOLE

MEET OR EXCEED ENVIRONMENTAL AND OPERATIONAL REQUIREMENTS  
OF MIL-L-6723 AND MIL-L-3661B

When connecting a neon light to a circuit having one side grounded, always connect the hot side of the circuit to the terminal marked + (Center Contact).

## FEATURES

- **Rugged-phenolic insulated:** The socket, lamp, and all connections are well insulated from the mounting bushing by means of phenolic material of military specification grade.
- Ultra-compact; conserves space and weight.
- Lens cap assembly unscrews from front of panel for easy replacement of the lamp.
- The shank of the lens holder is crimped in 3 evenly spaced places to secure the lamp.
- Anti-rotation (locked) construction.



361-8836-0931-552  
LH74/1; LC13RN2

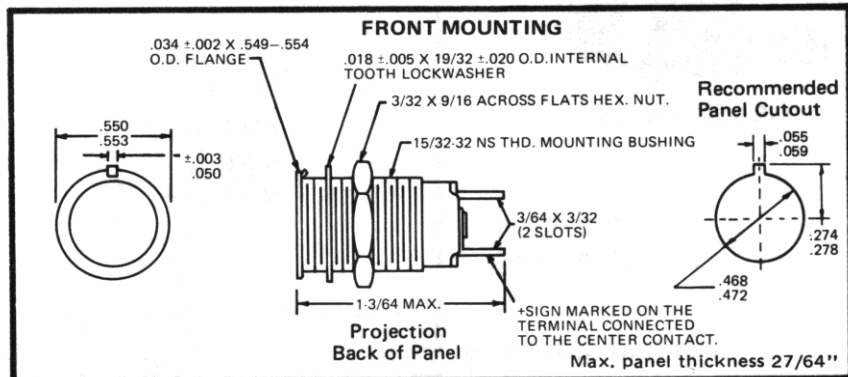
361-8864-0931-522  
LH74/2; LC13RN2

## MATERIAL AND FINISHES

- **Mounting Bushing:** Aluminum, black anodize finish.
- **Internal-tooth Lockwasher and Mounting nut:** Steel, cadmium plated with yellow iridescent chromate finish.
- **Terminals:** Brass, hot tinned with elongated slot.

## QPL Listed

361 SERIES



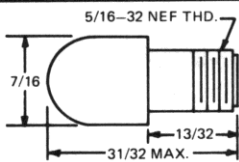
## BASE PART NUMBERS

LH 74/1 361-8836-09-552  
With built in 62K resistor

LH 74/2 361-8864-09-522  
With built in 27K resistor

## CAP PART NUMBERS

## COMPLETE ASSEMBLY PART NUMBERS



STOVEPIPE  
NON-DIFFUSING

| Type Desig. | Part Number | Lens Cap Color    |
|-------------|-------------|-------------------|
| LC13RN2     | 137-0931    | Red               |
| LC13YN2     | 137-0933    | Yellow (amber)    |
| LC13WT2     | 137-0935    | White             |
| LC13CN2     | 137-0937    | Clear (colorless) |

Part numbers shown in gray are normally  
in inventory at your Dialight Distributor.