



Chipsmall Limited consists of a professional team with an average of over 10 year of expertise in the distribution of electronic components. Based in Hongkong, we have already established firm and mutual-benefit business relationships with customers from,Europe,America and south Asia,supplying obsolete and hard-to-find components to meet their specific needs.

With the principle of “Quality Parts,Customers Priority,Honest Operation,and Considerate Service”,our business mainly focus on the distribution of electronic components. Line cards we deal with include Microchip,ALPS,ROHM,Xilinx,Pulse,ON,Everlight and Freescale. Main products comprise IC,Modules,Potentiometer,IC Socket,Relay,Connector.Our parts cover such applications as commercial,industrial, and automotives areas.

We are looking forward to setting up business relationship with you and hope to provide you with the best service and solution. Let us make a better world for our industry!



Contact us

Tel: +86-755-8981 8866 Fax: +86-755-8427 6832

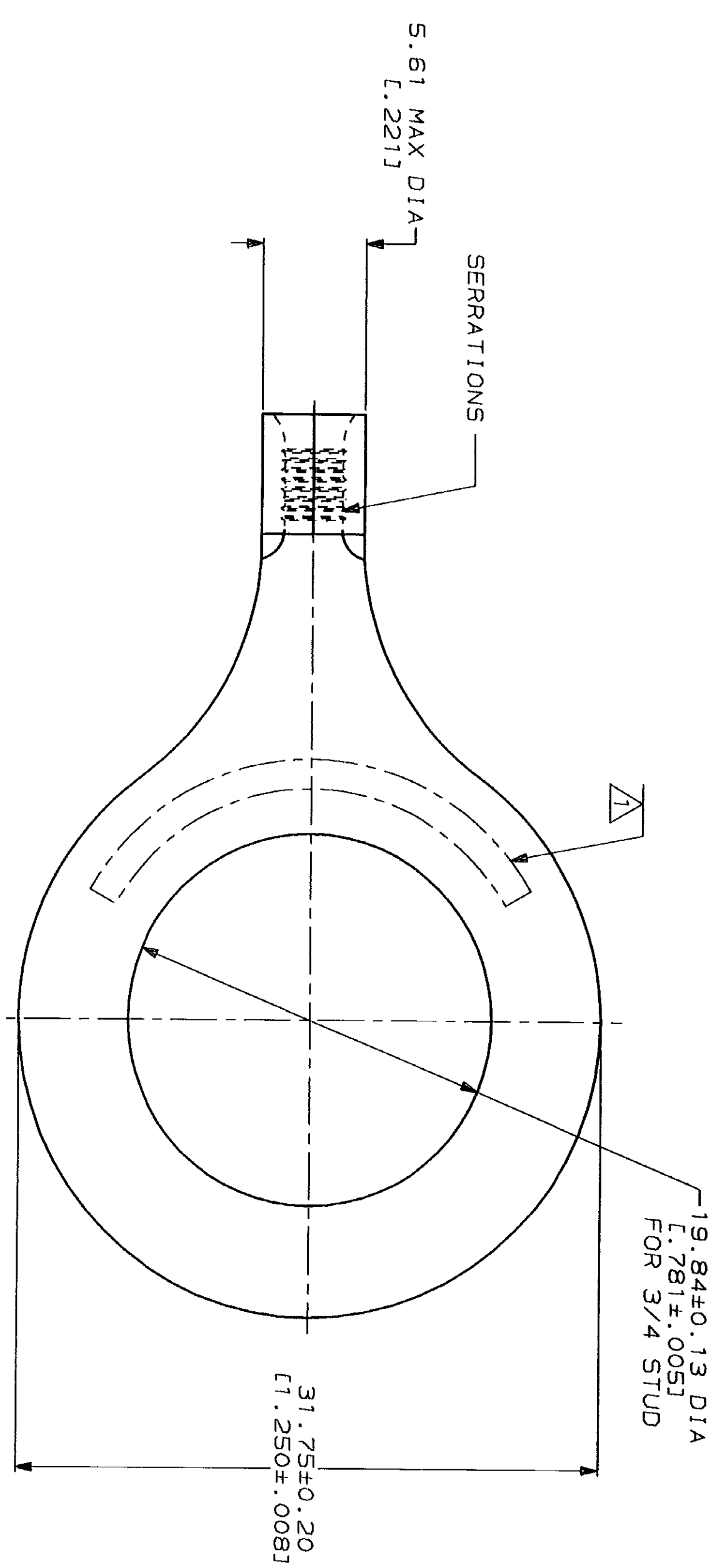
Email & Skype: info@chipsmall.com Web: www.chipsmall.com

Address: A1208, Overseas Decoration Building, #122 Zhenhua RD., Futian, Shenzhen, China

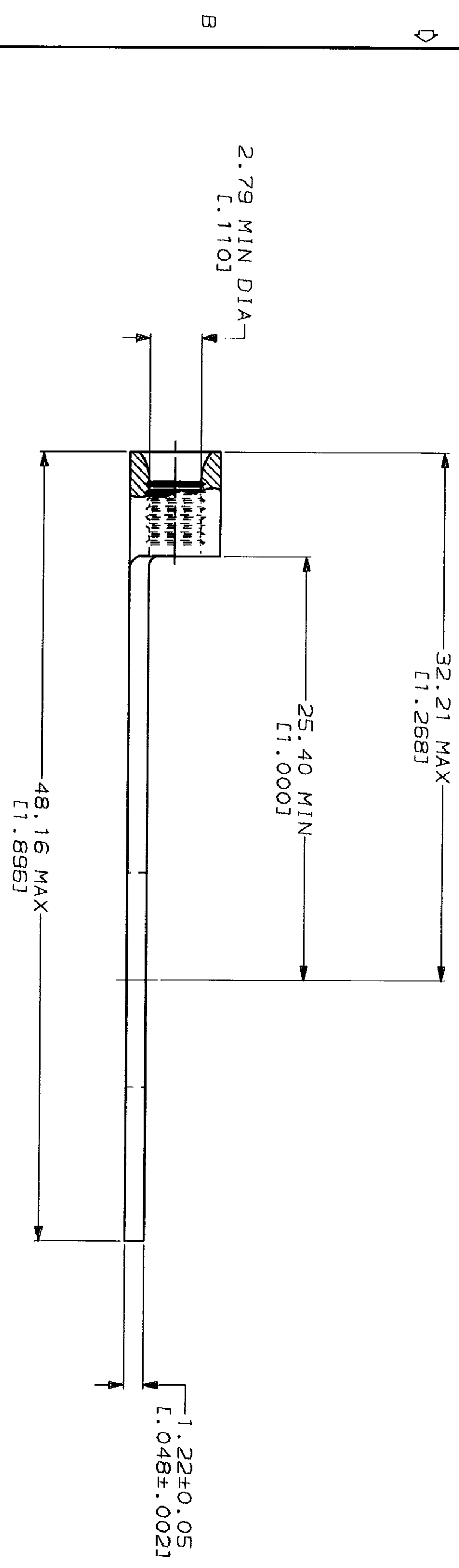


LOC	DIST	ZONE	LTR	DESCRIPTION	DATE	APPD
G	14	P	F	RELEASED PER 0720-0008-93	2-1-93	MB

METRIC
 DIMENSIONS LISTED IN mm [INCHES]



AMP WIRE RANGE 16-14HD AWG STRANDED	UL E13288 Listed
NOT CERTIFIED	MILITARY P/N AND CLASS
NOT CERTIFIED	NOT APPLICABLE



AMP INCORPORATED
CUSTOMER SERVICE SYSTEMS

FOR ADDITIONAL
 PRODUCT INFORMATION OR
 COPIES OF DRAWINGS
 AND TECHNICAL DOCUMENTS
 FOR APPLICATION
 TOOLING INFORMATION
 FOR ORDER ENTRY

PRODUCT INFORMATION CENTER
 1-800-522-6752
 TOOLING ASSISTANCE CENTER
 1-800-722-1111
 1-800-526-5142

MAX RECOMMENDED OPERATING
 TEMPERATURE:
 170°C MAX

VOLTAGE RATING:
 NOT APPLICABLE

WIRE CROSS SECTIONAL AREA RANGE:
 1.04-2.62mm² [2.050-5.180] CIR MILS
 STRANDED

DO NOT SCALE PRINT.
 UNLESS SPECIFIED
 DIMENSIONS IN mm [INCHES]
 TOLERANCES ON:
 2 PLG DEC #
 3 PLG DEC #
 ANGLES

FINISH
 TIN PLATE
 0.00254 [1.000100] MIN
 THK PER MIL-T-10727

DR 2-1-93
 1A BRINKMAN

CHK 2-1-93
 DA PATTERSON

APPD 2-1-93
 DE MILLER

APPD 2-1-93
 JL NECKLEY

PRODUCT SPEC

APPLICATION SPEC

WEIGHT

SCALE 4:1

AMP
 AMP Incorporated
 Harrisburg, PA 17105-3608

TERMINAL, RING TONGUE,
 HEAVY DUTY, BUDGET

36201
 PART NO

36201