



Chipsmall Limited consists of a professional team with an average of over 10 year of expertise in the distribution of electronic components. Based in Hongkong, we have already established firm and mutual-benefit business relationships with customers from,Europe,America and south Asia,supplying obsolete and hard-to-find components to meet their specific needs.

With the principle of “Quality Parts,Customers Priority,Honest Operation,and Considerate Service”,our business mainly focus on the distribution of electronic components. Line cards we deal with include Microchip,ALPS,ROHM,Xilinx,Pulse,ON,Everlight and Freescale. Main products comprise IC,Modules,Potentiometer,IC Socket,Relay,Connector.Our parts cover such applications as commercial,industrial, and automotives areas.

We are looking forward to setting up business relationship with you and hope to provide you with the best service and solution. Let us make a better world for our industry!



## Contact us

Tel: +86-755-8981 8866 Fax: +86-755-8427 6832

Email & Skype: info@chipsmall.com Web: www.chipsmall.com

Address: A1208, Overseas Decoration Building, #122 Zhenhua RD., Futian, Shenzhen, China





T-1 3/4  
MIDGET  
FLANGE BASE

See lamp ratings  
on page J.

# Incandescent Indicators

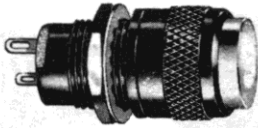
TWO TERMINALS—FULLY INSULATED  
FOR MOUNTING IN 15/32" CLEARANCE HOLE

MEET OR EXCEED ENVIRONMENTAL AND OPERATIONAL REQUIREMENTS  
OF MIL-L-6723 AND MIL-L-3661B

## MATERIALS AND FINISHES

- **Mounting Bushing:** Aluminum, yellow iridescent chromate finish.
- **Internal-tooth Lockwasher and Mounting nut:** Steel, cadmium plated with yellow iridescent chromate finish.
- **Terminals:** Brass, hot tinned with elongated slot.

For RFI/EMI Applications



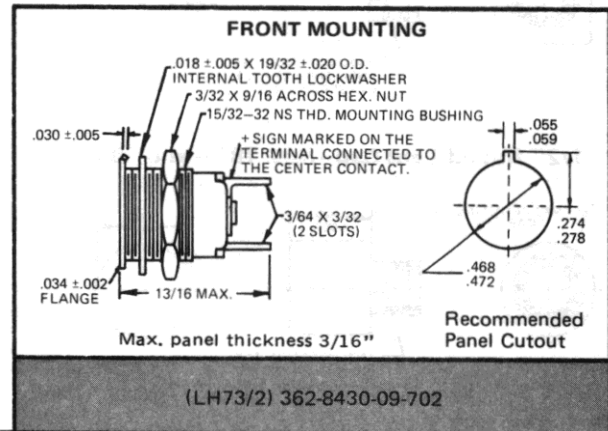
363-8430-0371-502  
LH73/2, LC25RT2  
Flat Lens

## Feature

- **Anti-rotation (locked) construction:** Provides for secure locking of the socket terminal assembly in the mounting bushing and of the center terminal to the insulating disc. The notched mounting bushing receives the matched insulating disc to prevent the rotation of the mounting bushing.

Per MIL-L-3661B

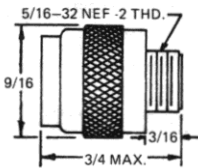
363 SERIES



BASE PART NUMBERS

(LH73/2) 362-8430-09-702

CAP PART NUMBERS	TYPE DESIG.	PART NO.	LENS CAP COLOR	COMPLETE ASSEMBLY PART NUMBERS
<b>Flat—Non—Diffusing</b>				
	LC25RN2	239-0331-500	Red	363-8430-0331-502
	LC25GN2	239-0332-500	Green	363-8430-0332-502
	LC25YN2	239-0333-500	Yellow (Amber)	363-8430-0333-502
	LC25BN2	239-0334-500	Blue	363-8430-0334-502
	LC25CN2	239-0337-500	Clear (Colorless)	363-8430-0337-502
<b>Flat—Translucent</b>				
	LC25RT2	239-0371-500	Red	363-8430-0371-502
	LC25GT2	239-0372-500	Green	363-8430-0372-502
	LC25YT2	239-0373-500	Yellow (Amber)	363-8430-0373-502
	LC25BT2	239-0374-500	Blue	363-8430-0374-502
	LC25WT2	239-0375-500	White	363-8430-0375-502



Legends not recommended  
with RFI/EMI units.

Part numbers shown in gray are normally  
in inventory at your Dialight Distributor.

Order complete with lamp to be assured of receiving the indicator  
light and correct lamp together for immediate use.