



Chipsmall Limited consists of a professional team with an average of over 10 year of expertise in the distribution of electronic components. Based in Hongkong, we have already established firm and mutual-benefit business relationships with customers from,Europe,America and south Asia,supplying obsolete and hard-to-find components to meet their specific needs.

With the principle of “Quality Parts,Customers Priority,Honest Operation,and Considerate Service”,our business mainly focus on the distribution of electronic components. Line cards we deal with include Microchip,ALPS,ROHM,Xilinx,Pulse,ON,Everlight and Freescale. Main products comprise IC,Modules,Potentiometer,IC Socket,Relay,Connector.Our parts cover such applications as commercial,industrial, and automotives areas.

We are looking forward to setting up business relationship with you and hope to provide you with the best service and solution. Let us make a better world for our industry!



Contact us

Tel: +86-755-8981 8866 Fax: +86-755-8427 6832

Email & Skype: info@chipsmall.com Web: www.chipsmall.com

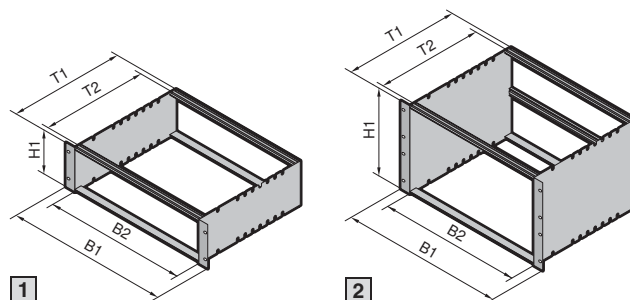
Address: A1208, Overseas Decoration Building, #122 Zhenhua RD., Futian, Shenzhen, China



SUBRACKS

Ripac EASY

Ripac EASY 3 U, 6 U, Aluminum



B = Width
T = Depth

Material/surface finish:

Side panels:
2 mm aluminum, unplated
Horizontal rails:
extruded aluminum section,
noncorrosive
Flanges:
pre-anodized

Supply includes:

Side panels, flanges,
horizontal rails, tapped strips,
assembly screws

Tests:

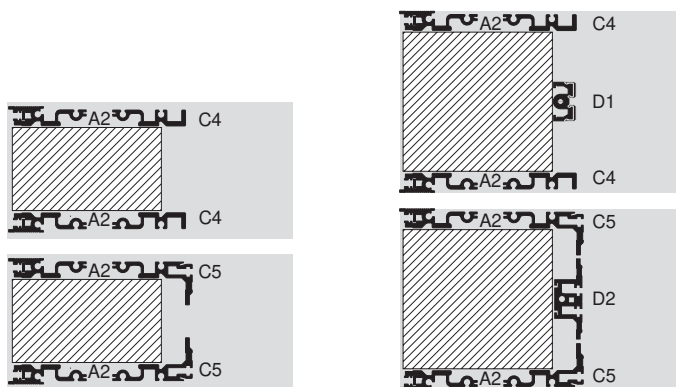
Shock- and vibration tested to:
IEC 600-68-2-6 test Fc
IEC 600-68-2-7 test Ea

Standards:

Ripac subracks are based on the system dimensions of
IEC 60 297-3

Note:

Backplanes can be mounted directly on the rear
horizontal rails. Isolating strips are not necessary.



1 Top: for backplane
Bottom: for connector

2 Top: for backplane
Bottom: for connector

					Order No.				Page
					1			2	
					3		6		
B1 mm	B2 HP	Side panel (T1) mm	T2 mm	Max. PCB depth mm	For backplane	For connector IEC 60 603-2	For backplane	For connector IEC 60 603-2	
482.6 (19")	84	175	160	160	3634.100	3634.150	3634.180	3634.230	
		235	220	220	3634.110	3634.160	3634.190	3634.240	
		295	280	280	3634.120	3634.170	3634.200	3634.250	
		355	340	340	3634.130	–	3634.210	–	
		415	400	400	3634.140	–	3634.220	–	
Accessories									
Covers									125
Horizontal rails									100
Guide rails									119