



Chipsmall Limited consists of a professional team with an average of over 10 year of expertise in the distribution of electronic components. Based in Hongkong, we have already established firm and mutual-benefit business relationships with customers from,Europe,America and south Asia,supplying obsolete and hard-to-find components to meet their specific needs.

With the principle of “Quality Parts,Customers Priority,Honest Operation,and Considerate Service”,our business mainly focus on the distribution of electronic components. Line cards we deal with include Microchip,ALPS,ROHM,Xilinx,Pulse,ON,Everlight and Freescale. Main products comprise IC,Modules,Potentiometer,IC Socket,Relay,Connector.Our parts cover such applications as commercial,industrial, and automotives areas.

We are looking forward to setting up business relationship with you and hope to provide you with the best service and solution. Let us make a better world for our industry!



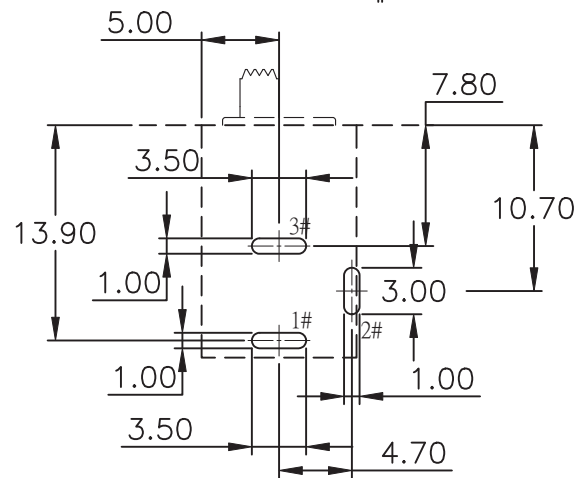
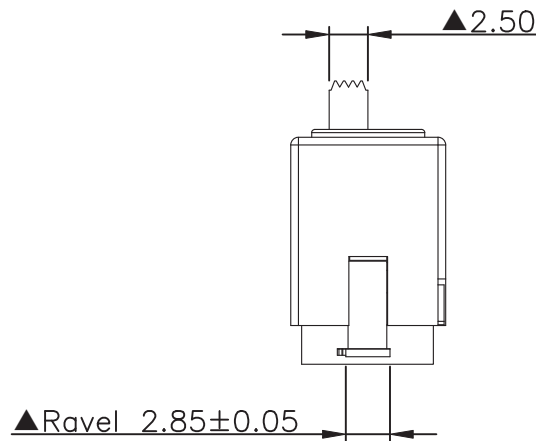
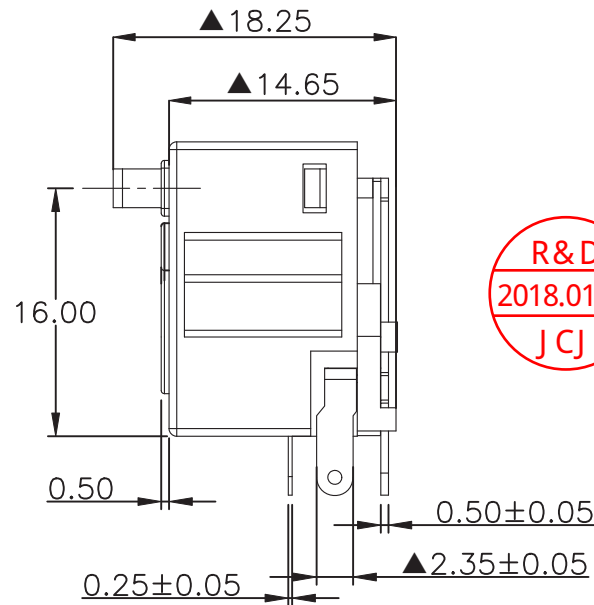
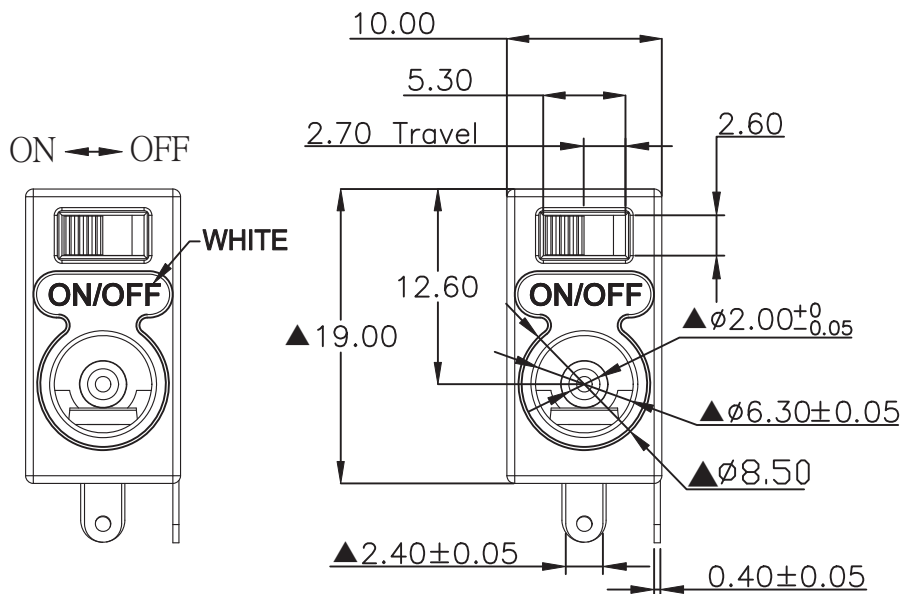
Contact us

Tel: +86-755-8981 8866 Fax: +86-755-8427 6832

Email & Skype: info@chipsmall.com Web: www.chipsmall.com

Address: A1208, Overseas Decoration Building, #122 Zhenhua RD., Futian, Shenzhen, China





P. C. B LAYOUT
BOTTOM VIEW

SPECIFICATION

1. Rating: DC 16V 3A
2. Contact resistance: 30 mΩ MAX.
3. Insulation resistance: 100 MΩ MIN.
4. Mechanical Life: 30,000 cycles.



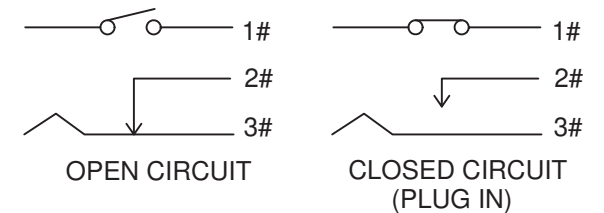
MATERIALS

- CASE & HOUSING** - Glass filled Nylon 6/6, black.
ACTUATOR - Glass filled Nylon 6/6, gray.
CONTACT - Copper alloy, silver plated.
TERMINALS - Copper alloy, silver plated.
PIN - Brass, nickel plated.

PATENT NO. : M376887

▲ Packing: 1pcs/ per bag

▲ 包裝方式: 1PCS 一袋



SCHEMATIC

JCJ INTERNATIONAL CO., LTD

SCALE(比例): 2:1

TOLERANCE (公差):
 0.00 mm ± 0.25mm
 0.0 mm ± 0.40mm
 ANGULAR: ± 5°
 FILE NAME : SJ0025

TITLE 圖名		DC POWER JACK WITH SWITCHES		SIZE 圖紙	A4
DWG NO. 圖號		SJ-004-P001		UNIT 單位	mm
REV. 版本	A	DATE 日期	JAN - 19 - 2018	SHEET 張數	1 of 1
CHECKED BY 審核	陳燈財	DRAWN BY 製圖		IRENE	

版本:C

表單編號:QR-0507

	符號	原尺寸	修改後尺寸	變更日期
1	(A)			
2	(B)			
3	(C)			
4	(D)			
5	(E)			