



Chipsmall Limited consists of a professional team with an average of over 10 year of expertise in the distribution of electronic components. Based in Hongkong, we have already established firm and mutual-benefit business relationships with customers from,Europe,America and south Asia,supplying obsolete and hard-to-find components to meet their specific needs.

With the principle of “Quality Parts,Customers Priority,Honest Operation,and Considerate Service”,our business mainly focus on the distribution of electronic components. Line cards we deal with include Microchip,ALPS,ROHM,Xilinx,Pulse,ON,Everlight and Freescale. Main products comprise IC,Modules,Potentiometer,IC Socket,Relay,Connector.Our parts cover such applications as commercial,industrial, and automotives areas.

We are looking forward to setting up business relationship with you and hope to provide you with the best service and solution. Let us make a better world for our industry!



Contact us

Tel: +86-755-8981 8866 Fax: +86-755-8427 6832

Email & Skype: info@chipsmall.com Web: www.chipsmall.com

Address: A1208, Overseas Decoration Building, #122 Zhenhua RD., Futian, Shenzhen, China



4

3

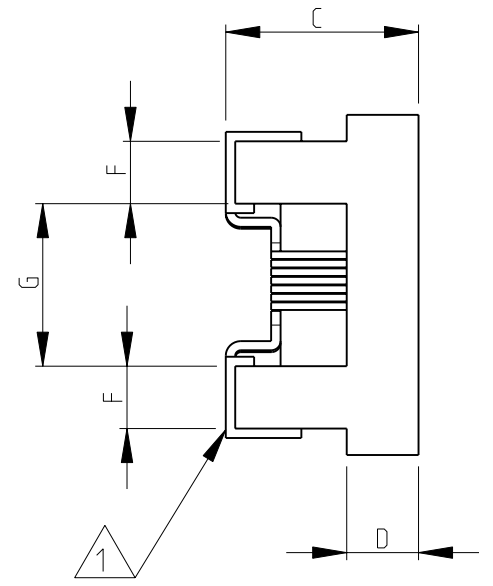
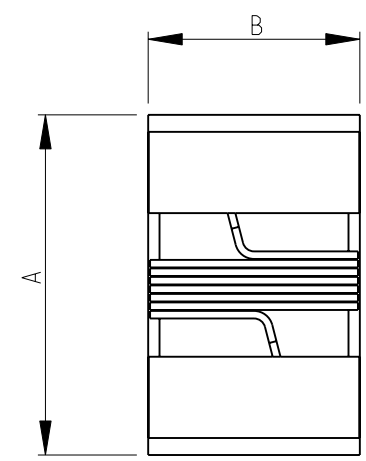
2

1

THIS DRAWING IS UNPUBLISHED. RELEASED FOR PUBLICATION 2008
 © COPYRIGHT 2008 BY - ALL RIGHTS RESERVED.

| LOC | DIST | REVISIONS | | | | |
|-----|------|-------------|---------------------------|-----------|--------|--|
| P | LTR | DESCRIPTION | DATE | DWN | APVD | |
| E | B | BA1 | REVISED PER ECO-11-005150 | 29MAR2011 | RK HMR | |

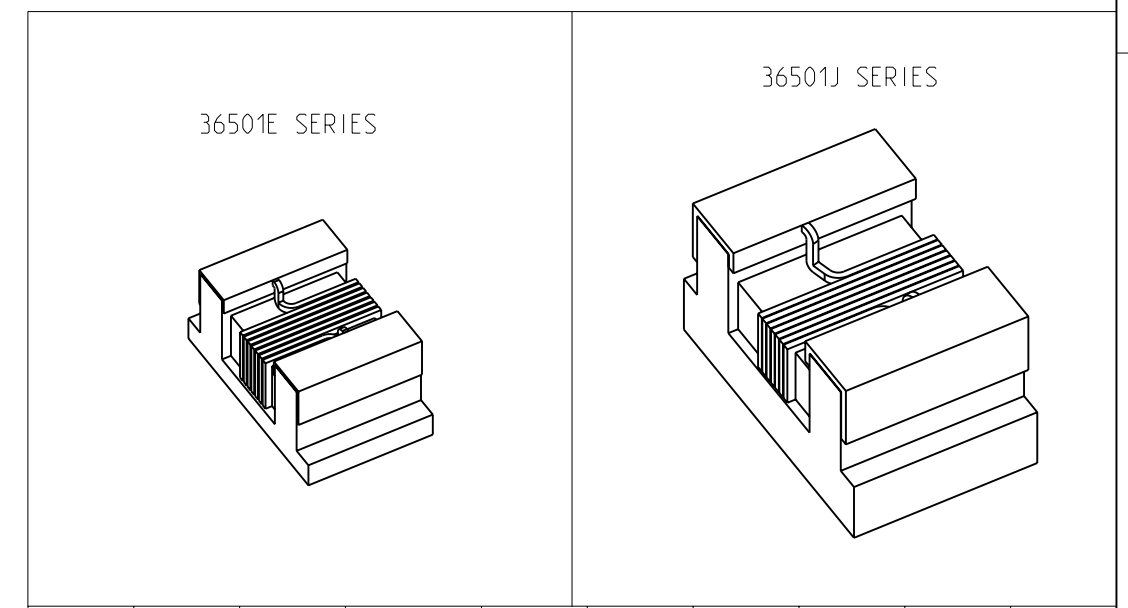
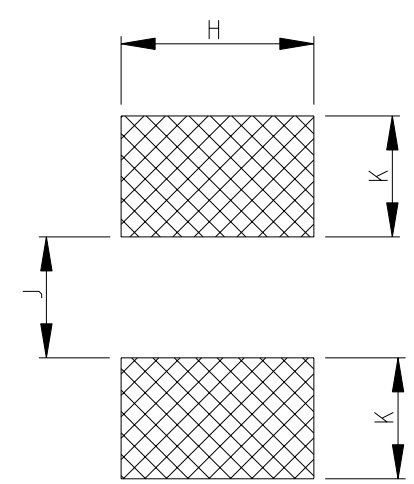
SERIES 36501J, 36501E AS SHOWN



- 1 TERMINAL WRAPAROUND: 0.007"(0.18mm) APPROX. ON BOTH ENDS
- 2 AVAILABLE IN 2 DIFFERENT SERIES
- 3 FOR FURTHER INFORMATION SEE DATA SHEET FOR 3650 SERIES-LOW INDUCTANCE,HIGH FREQUENCY CHIP INDUCTOR

RoHS Compliant

RECOMMENDED LAND PATTERN FOR 36501J, 36501E SERIES



| | A MAX. | B MAX. | C MAX. | D REF. | F | G | H | K | J |
|--------|--------|--------|--------|--------|------|------|------|------|------|
| 36501E | 1.27 | 0.76 | 0.61 | 0.15 | 0.23 | 0.56 | 0.66 | 0.50 | 0.46 |
| 36501J | 1.80 | 1.12 | 1.02 | 0.38 | 0.33 | 0.86 | 1.02 | 0.64 | 0.64 |

| | |
|--|--|
| THIS DRAWING IS A CONTROLLED DOCUMENT. | |
| DIMENSIONS: mm | TOLERANCES UNLESS OTHERWISE SPECIFIED: 0 PLC ± 0.2 1 PLC ± 0.1 2 PLC ± - 3 PLC ± - 4 PLC ± - ANGLES ± - ± 5° |
| MATERIAL - | FINISH - |

| | | |
|------------------|-----------|-----------|
| DWN | SUBHASH.M | 14-NOV-08 |
| CHK | PRAKASH.S | 14-NOV-08 |
| APVD | STEPHEN.P | 14-NOV-08 |
| PRODUCT SPEC | - | |
| APPLICATION SPEC | - | |
| WEIGHT | - | |

| | | | |
|--|-----------|------------|----------------------|
| STE TE Connectivity | | | |
| LOW INDUCTANCE, HIGH FREQUENCY CHIP INDUCTOR SERIES 3650 | | | |
| SIZE | CAGE CODE | DRAWING NO | RESTRICTED TO |
| A3 | 00779 | 1624112 | - |
| CUSTOMER DRAWING | | SCALE 20:1 | SHEET 1 OF 1 REV BA1 |