



Chipsmall Limited consists of a professional team with an average of over 10 year of expertise in the distribution of electronic components. Based in Hongkong, we have already established firm and mutual-benefit business relationships with customers from,Europe,America and south Asia,supplying obsolete and hard-to-find components to meet their specific needs.

With the principle of “Quality Parts,Customers Priority,Honest Operation,and Considerate Service”,our business mainly focus on the distribution of electronic components. Line cards we deal with include Microchip,ALPS,ROHM,Xilinx,Pulse,ON,Everlight and Freescale. Main products comprise IC,Modules,Potentiometer,IC Socket,Relay,Connector.Our parts cover such applications as commercial,industrial, and automotives areas.

We are looking forward to setting up business relationship with you and hope to provide you with the best service and solution. Let us make a better world for our industry!



Contact us

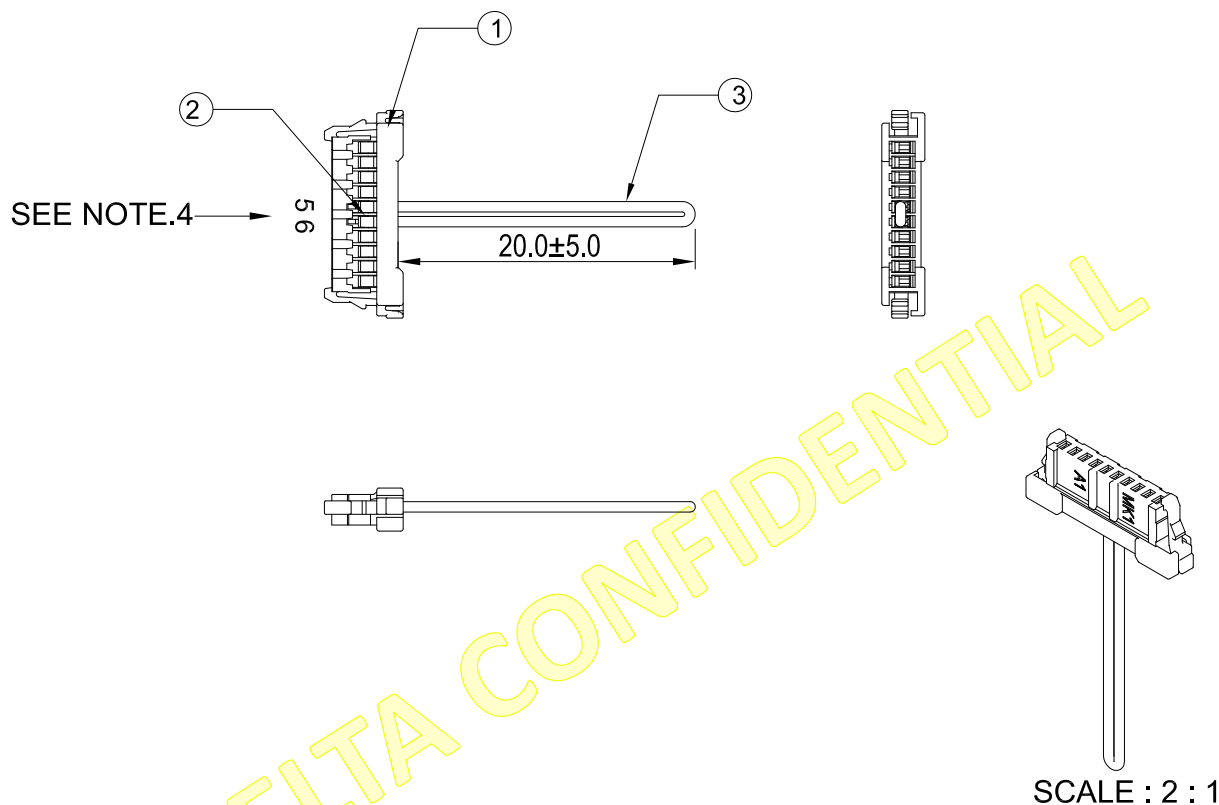
Tel: +86-755-8981 8866 Fax: +86-755-8427 6832

Email & Skype: info@chipsmall.com Web: www.chipsmall.com

Address: A1208, Overseas Decoration Building, #122 Zhenhua RD., Futian, Shenzhen, China




PART LIST			
ITEM	MATERIAL	QTY	DESCRIPTION
1	HOUSING	1	MOLEX:1041421000
2	TERMINAL	2	MOLEX:1045398002
3	WIRE	1	UL10368, 30AWG, BLACK



NOTE:

1. MATERIAL : AS THE PART LIST TABLE.
2. MUST MEET DELTA'S SPEC : 10000-0031, 10000-0038, 10000-0131,10000-0162.
3. MATERIAL MUST BE APPROVED BY DELTA.
4. ONE JUMPER WIRE FROM PIN 5 TO PIN 6
5. PACKAGE : PE BAG

 台達電子工業股份有限公司 DELTA ELECTRONICS, INC.	DRAWN: Tony Yu 05/10'18		DESIGN: Tony Yu 05/10'18	
	THESE DRAWINGS AND SPECIFICATIONS ARE THE PROPERTY OF DELTA ELECTRONICS, INC. AND SHALL NOT BE REPRODUCED OR USED AS THE BASIS FOR THE MANUFACTURE OR SELL OF APPARATUSES OR DEVICES WITHOUT PERMISSION.			
DIMENSIONAL TOLERANCES (± 0.25 DECIMALS) (V) () (± 0.35 X) (± 0.3) (± 0.2) (± 0.25) (± 0.4) (± 1.5) (>100-300 ± 0.5) (± 0.2) (± 0.3) (± 0.45) (± 2.4) ABOVE 300 ± 0.6) (± 0.1) (± 0.35) (± 0.5) (± 3.1)		HOLES : ± 0.05 ANGLES : $\pm 0.5^\circ$		DESCRIPTION: CABLE
SCALE 2:1 UNIT mm USED ON MDS-300APB24 AE		SIZE A4	PART NO: 3672990500	REV. 00
		SHEET 2 OF 2		ISSUE DATE: 05/10'18