



Chipsmall Limited consists of a professional team with an average of over 10 year of expertise in the distribution of electronic components. Based in Hongkong, we have already established firm and mutual-benefit business relationships with customers from,Europe,America and south Asia,supplying obsolete and hard-to-find components to meet their specific needs.

With the principle of “Quality Parts,Customers Priority,Honest Operation,and Considerate Service”,our business mainly focus on the distribution of electronic components. Line cards we deal with include Microchip,ALPS,ROHM,Xilinx,Pulse,ON,Everlight and Freescale. Main products comprise IC,Modules,Potentiometer,IC Socket,Relay,Connector.Our parts cover such applications as commercial,industrial, and automotives areas.

We are looking forward to setting up business relationship with you and hope to provide you with the best service and solution. Let us make a better world for our industry!



Contact us

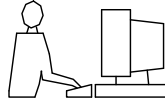
Tel: +86-755-8981 8866 Fax: +86-755-8427 6832

Email & Skype: info@chipsmall.com Web: www.chipsmall.com

Address: A1208, Overseas Decoration Building, #122 Zhenhua RD., Futian, Shenzhen, China

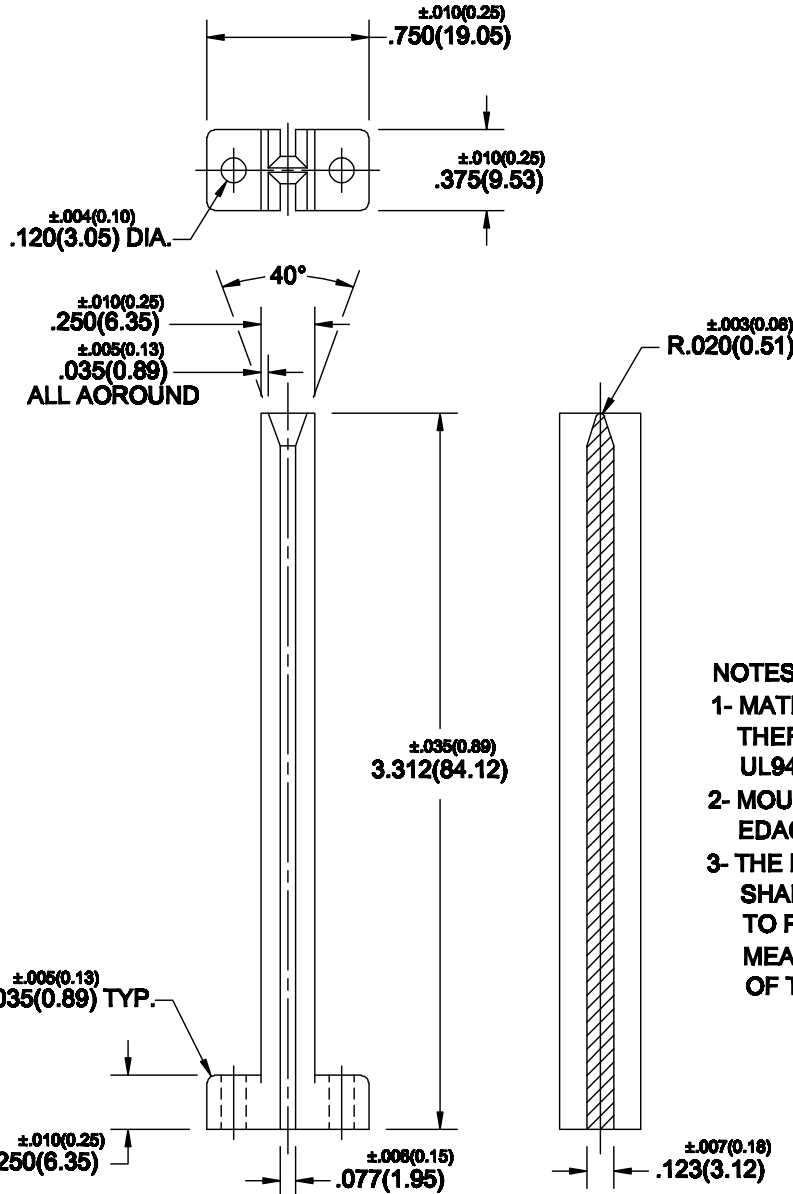


THIS IS A C.A.D. GENERATED DRAWING
DO NOT MAKE MANUAL REVISIONS TO MASTER.



* UNLESS OTHERWISE SPECIFIED TOLERANCES
ON DECIMAL IS:
FRACTION ± 1/32
2 PLACE ± .01
3 PLACE ± .010
4 PLACE ± .0001
5 PLACE ± .000050
6 PLACE ± .000020

ISSUE NUMBER	
ORIGINAL	①
RE-DWG. F.BRIONES NOV. 21/14	⑨



NOTES:

- 1- MATERIAL: ENGINEERING APPROVAL THERMOPLASTIC POLYESTER 30% G/F UL94V-0 GREEN COLOR
- 2- MOULDED PART SHALL CONFORM TO EDAC SPEC. 110-0211
- 3- THE PART, WHEN SCREWED TO A FLAT SHALL BE PERPENDICULAR (RELATIVE TO PLATE) WITHIN .030(0.76) AS MEASURED OVER THE FULL HEIGHT OF THE PART

CARD GUIDE

ACAD REFERENCE NO.	368-220-301
DRAWN: F.BRIONES	DATE: NOV. 21/14
CHECKED:	DATE: CHECKED:
SCALE: 1:1 IN C.A.D	SHEET 1 OF 1



EDAC INC
TORONTO, ONTARIO
CANADA

YOUR CONNECTION TO QUALITY & SERVICE

THESE DRAWINGS AND SPECIFICATIONS ARE THE PROPERTY OF EDAC INC. AND SHALL NOT BE REPRODUCED, OR COPIED OR USED AS THE BASIS FOR THE MANUFACTURE OR SALE OF APPARATUS WITHOUT WRITTEN PERMISSION.

DRAWING AND PART NUMBER
368-220-301

ISSUE
9