



Chipsmall Limited consists of a professional team with an average of over 10 year of expertise in the distribution of electronic components. Based in Hongkong, we have already established firm and mutual-benefit business relationships with customers from,Europe,America and south Asia,supplying obsolete and hard-to-find components to meet their specific needs.

With the principle of “Quality Parts,Customers Priority,Honest Operation,and Considerate Service”,our business mainly focus on the distribution of electronic components. Line cards we deal with include Microchip,ALPS,ROHM,Xilinx,Pulse,ON,Everlight and Freescale. Main products comprise IC,Modules,Potentiometer,IC Socket,Relay,Connector.Our parts cover such applications as commercial,industrial, and automotives areas.

We are looking forward to setting up business relationship with you and hope to provide you with the best service and solution. Let us make a better world for our industry!



## Contact us

Tel: +86-755-8981 8866 Fax: +86-755-8427 6832

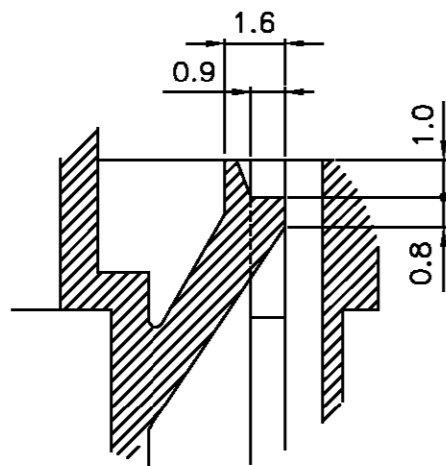
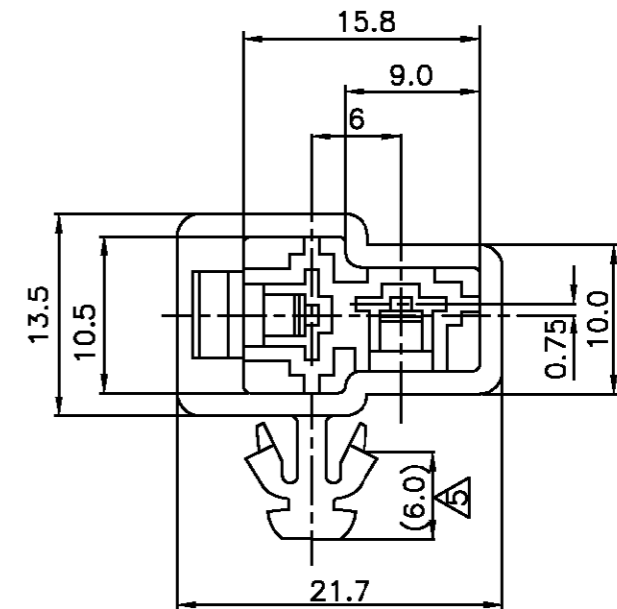
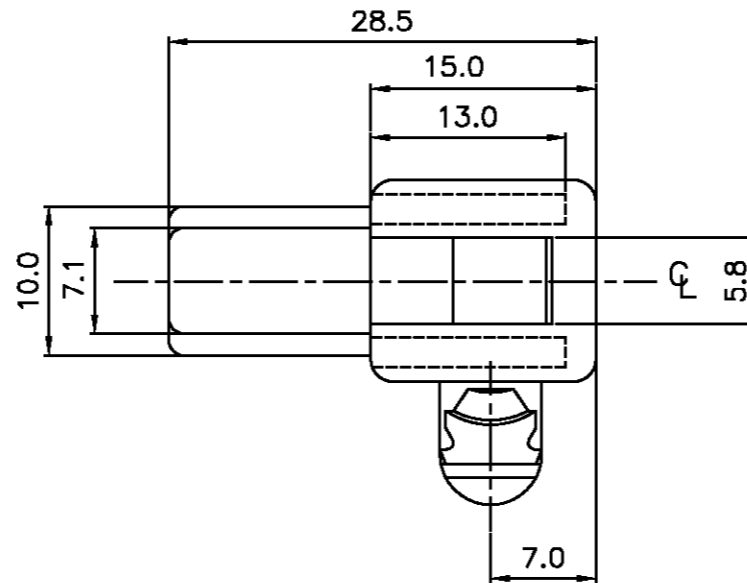
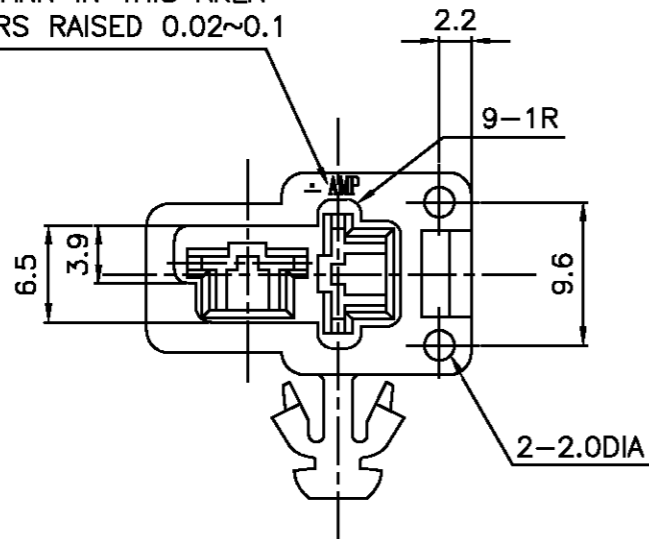
Email & Skype: info@chipsmall.com Web: www.chipsmall.com

Address: A1208, Overseas Decoration Building, #122 Zhenhua RD., Futian, Shenzhen, China

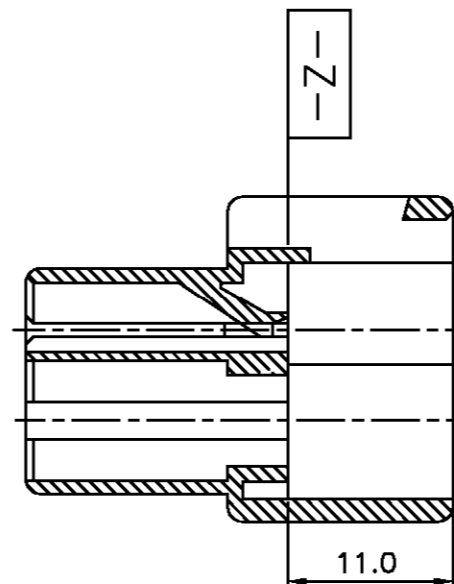


CUSTOMER DRAWING

TRADE MARK IN THIS AREA  
CHARACTERS RAISED 0.02~0.1



DETAIL LANCE  
SCALE:5/1



NOTE

1. TO BE MEASURED BETWEEN - Z - AND 2mm.
2. TO BE MATE WITH REC HSG SMOOTHLY.
3. TO BE MATE WITH PLATE(176994) SMOOTHLY
- Ⓐ 4. APPLICABLE PANEL : DIAMETER -  $\phi 7.0$  mm  
THICKNESS - 0.65~1.2 mm
- ⒶⓂ 5. A SPACE REQUIRED INSIDE OF THE PANEL FOR PROPER INSTALLATION.
6. APPLIED CONTACT P/N : 170340,170341,170349
7. APPLIED REC HSG P/N : 172130

NATURAL	368021-1
COLOR	PART NO.

APPLICABLE TAB CONTACT			
WIRE RANGE		TML P/N	CURRENT (A)
AWG	mm <sup>2</sup>		
20-14	0.5-2.27	170340	10
14-12	2-3.37	170341	20
22-20	0.3-0.5	170349	5

A	REVISED(RD97-0157)	YJ	JK	JUL 29 '97	
O	RELEASED	YM	JK	11/10 '95	
LTR	REVISION RECORD	DR	CHK	DATE	

© 19 AMP KOREA ALL RIGHT RESERVED AMP PRODUCTS COVERED BY PATENTS AND OR PATENTS PENDING		<b>AMP AMP KOREA</b>			
WIRE RANGE		INSULATION DIA		NAME	
<del>X</del>		<del>X</del>		250 2P CAP CLIP HSG. (PANEL MOUNT TYPE)	
MATERIAL NYLON 66		FINISH/COLOR SEE TABLE		TOLERANCES	
DR		APP		0<XX<10 ±0.2	
CHK		REL		10<XX<30 ±0.25	
				30<XX<100±0.3	
				ANGLES ±3'	
				SIZE A3	LOC DS
				SCALE 2/1	NUMBER 368021
				REV A	SHEET 1/1