



Chipsmall Limited consists of a professional team with an average of over 10 year of expertise in the distribution of electronic components. Based in Hongkong, we have already established firm and mutual-benefit business relationships with customers from,Europe,America and south Asia,supplying obsolete and hard-to-find components to meet their specific needs.

With the principle of “Quality Parts,Customers Priority,Honest Operation,and Considerate Service”,our business mainly focus on the distribution of electronic components. Line cards we deal with include Microchip,ALPS,ROHM,Xilinx,Pulse,ON,Everlight and Freescale. Main products comprise IC,Modules,Potentiometer,IC Socket,Relay,Connector.Our parts cover such applications as commercial,industrial, and automotives areas.

We are looking forward to setting up business relationship with you and hope to provide you with the best service and solution. Let us make a better world for our industry!



Contact us

Tel: +86-755-8981 8866 Fax: +86-755-8427 6832

Email & Skype: info@chipsmall.com Web: www.chipsmall.com

Address: A1208, Overseas Decoration Building, #122 Zhenhua RD., Futian, Shenzhen, China



THIS DRAWING IS UNPUBLISHED.

RELEASED FOR PUBLICATION

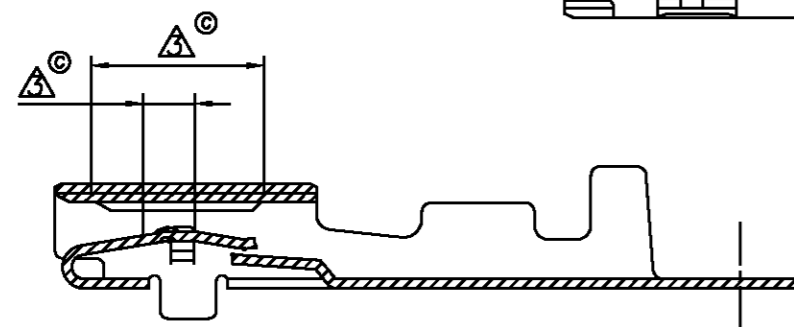
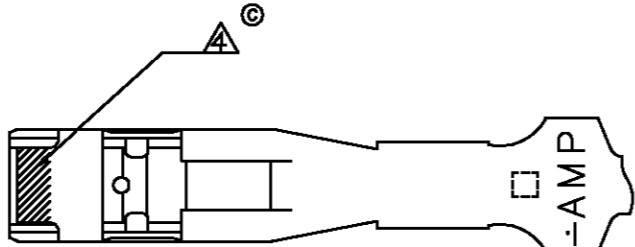
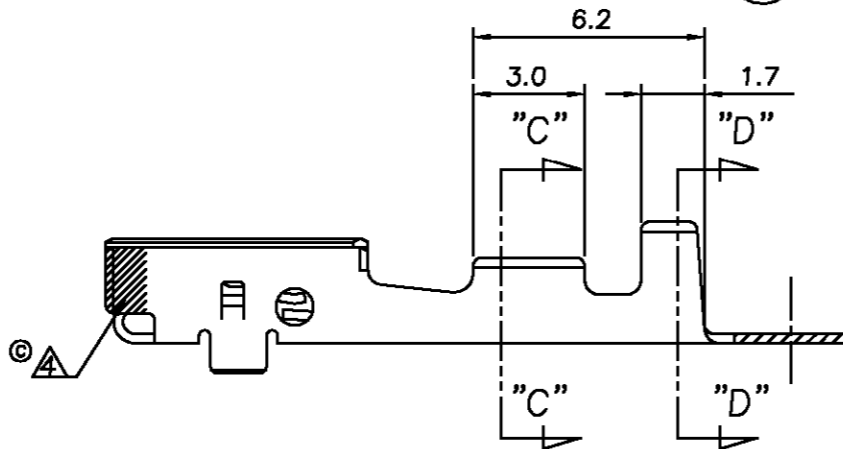
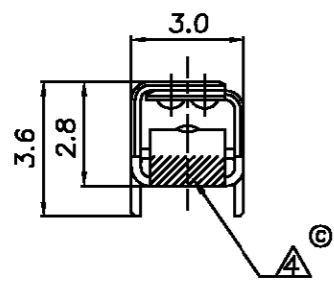
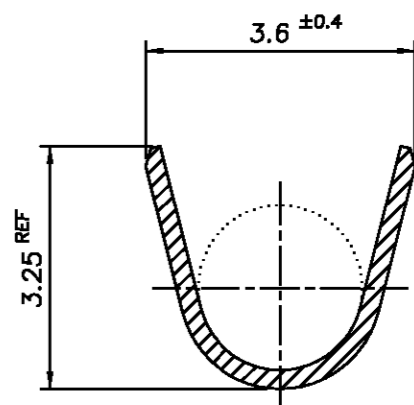
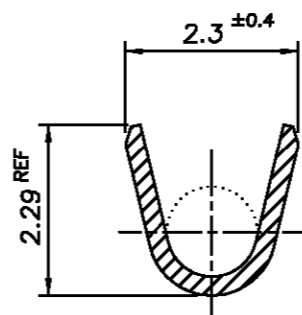
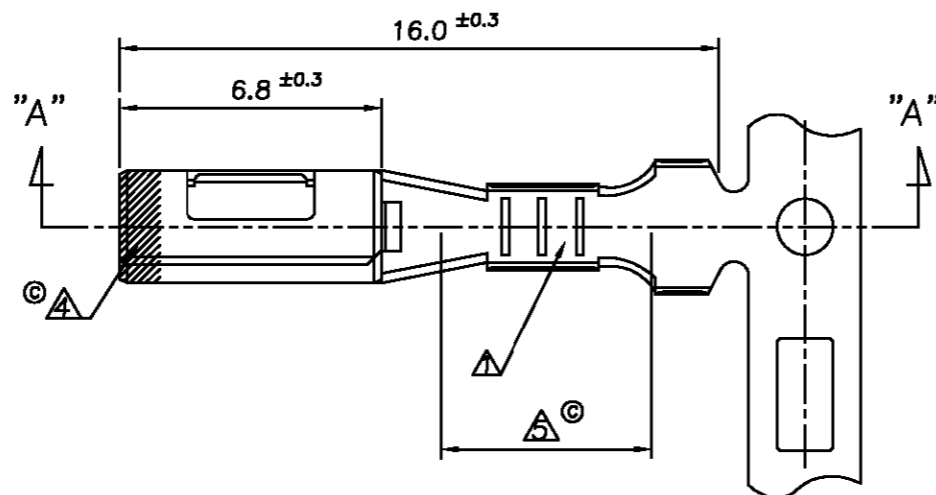
,1997 .

© COPYRIGHT 1997

BY AMP KOREA.

ALL RIGHTS RESERVED.

LOC	DIST	REVISIONS					
		P	LTR	DESCRIPTION	DATE	DWN	APVD
DS			C	REDRAWN W/CHANGE (FC00-0065-04)	08/APR/04	JG	CS



* NOTES

- ▲ THREE SERRATIONS CENTERED IN WIRE BARREL
- 2 WIRE SIZE EQUIV CAVUS 0.3 ~ AVS 0.5 sqmm
- Ⓞ ▲ GOLD PLATING AREA (CONTACT SIDE ONLY)
- Ⓞ ▲ GOLD PLATING FOR DISCERNMENT
- Ⓞ ▲ TIN PLATING AREA

▲▲▲ SELECTIVE GOLD PRE-TINNED	CuNiSi Alloy 0.25THK.	1-368085 -1 Ⓞ
FINISH	MATERIAL	PART NUMBER
		368085 -1

THIS DRAWING IS CONTROLLED DOCUMENT FOR AMP KOREA. IT IS SUBJECT TO CHANGE AND THE CONTROLLING ENGINEERING ORGANIZATION SHOULD BE CONTACTED FOR THE LATEST REVISION.		DWN JG.MOON	tyco Electronics		AMP KOREA. kyungsan, korea.	
DIMENSIONS: MM		CHK BM.JANG				
TOLERANCES UNLESS OTHERWISE SPECIFIED: 0 <XX<10 ± 0.2 10<XX<30 ± 0.25 ANGLES ± 3°		APVD CS.LEE	NAME .090 II MLC RECEPTACLE			
MATERIAL		PRODUCT SPEC 108-61021	SIZE A3	CAGE CODE 00779	DRAWING NO C- 3 6 8 0 8 5	
		APPLICATION SPEC 114-61004	SCALE 5/1		SHEET 1 OF 1	REV C
		WEIGHT				