



Chipsmall Limited consists of a professional team with an average of over 10 year of expertise in the distribution of electronic components. Based in Hongkong, we have already established firm and mutual-benefit business relationships with customers from,Europe,America and south Asia,supplying obsolete and hard-to-find components to meet their specific needs.

With the principle of "Quality Parts,Customers Priority,Honest Operation,and Considerate Service",our business mainly focus on the distribution of electronic components. Line cards we deal with include Microchip,ALPS,ROHM,Xilinx,Pulse,ON,Everlight and Freescale. Main products comprise IC,Modules,Potentiometer,IC Socket,Relay,Connector.Our parts cover such applications as commercial,industrial, and automotives areas.

We are looking forward to setting up business relationship with you and hope to provide you with the best service and solution. Let us make a better world for our industry!



Contact us

Tel: +86-755-8981 8866 Fax: +86-755-8427 6832

Email & Skype: info@chipsmall.com Web: www.chipsmall.com

Address: A1208, Overseas Decoration Building, #122 Zhenhua RD., Futian, Shenzhen, China



THIS DRAWING IS UNPUBLISHED.

RELEASED FOR PUBLICATION

,19

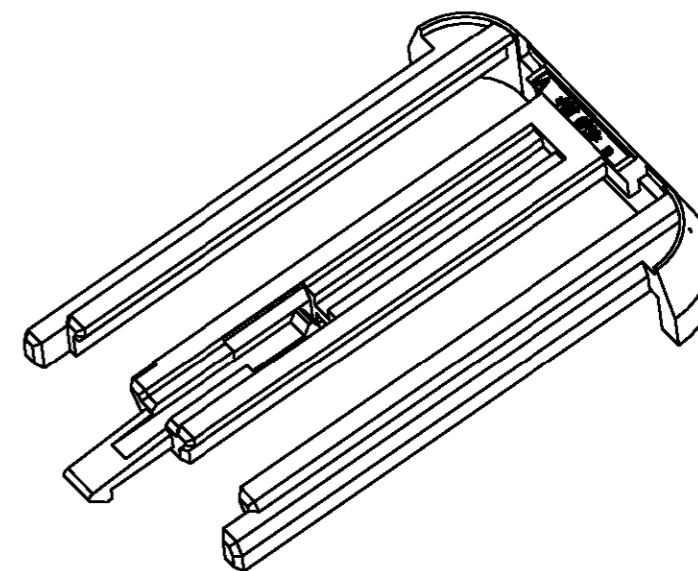
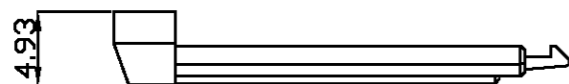
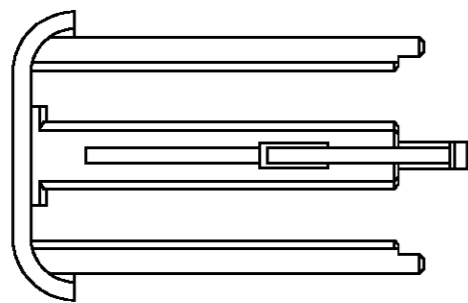
© COPYRIGHT 19

BY AMP INCORPORATED. ALL RIGHTS RESERVED.

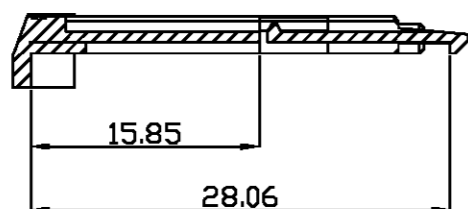
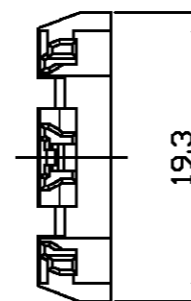
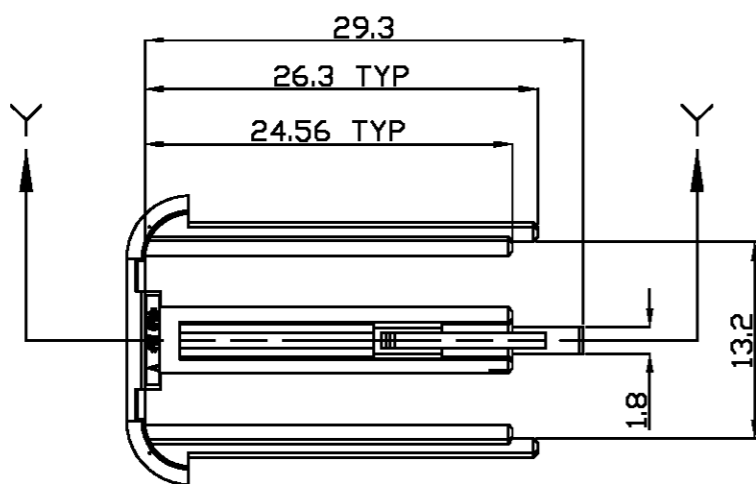
LDC DS DIST

REVISIONS

| P | LTR | DESCRIPTION | DATE | DWN | APVD |
|---|-----|------------------------|------------|-----|------|
| | □ | RELEASED(FC00-0162-00) | 15,DEC,'00 | HS | CS |



3-D VIEW
SCALE 3/1



SECTION Y-Y

NOTES:

1. MATERIAL - P.B.T GF30, COLOR - YELLOW.
2. GENERAL TOLERANCE IS ±0.3
3. APPLIED PLUG ASSEMBLY P/N: 368383.

THIS DRAWING IS A CONTROLLED DOCUMENT FOR AMP INCORPORATED. IT IS SUBJECT TO CHANGE AND THE CONTROLLING ENGINEERING ORGANIZATION SHOULD BE CONTACTED FOR THE LATEST REVISION.

DWN HS BAE

CHK BM JANG

APVD CS LEE

PRODUCT SPEC

APPLICATION SPEC

WEIGHT

AMP

AMP KOREA.
kyungsan, korea

NAME

MQS RETAINER HSG FOR 40POS

SIZE

CAGE CODE

DRAWING NO

A3

00779

©- 368388

SCALE 2/1

SHEET 1 OF 1

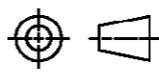
REV □

DIMENSIONS:
MM

TOLERANCES UNLESS OTHERWISE SPECIFIED

0 <XX<10 ± 0.2
 10<XX<30 ± 0.25
 30<XX ± 0.3
 ANGLES ± 3°

3rd ANGLE PROJECTION



MATERIAL

SEE NOTE

FINISH

N/A