



Chipsmall Limited consists of a professional team with an average of over 10 year of expertise in the distribution of electronic components. Based in Hongkong, we have already established firm and mutual-benefit business relationships with customers from,Europe,America and south Asia,supplying obsolete and hard-to-find components to meet their specific needs.

With the principle of "Quality Parts,Customers Priority,Honest Operation,and Considerate Service",our business mainly focus on the distribution of electronic components. Line cards we deal with include Microchip,ALPS,ROHM,Xilinx,Pulse,ON,Everlight and Freescale. Main products comprise IC,Modules,Potentiometer,IC Socket,Relay,Connector.Our parts cover such applications as commercial,industrial, and automotives areas.

We are looking forward to setting up business relationship with you and hope to provide you with the best service and solution. Let us make a better world for our industry!



Contact us

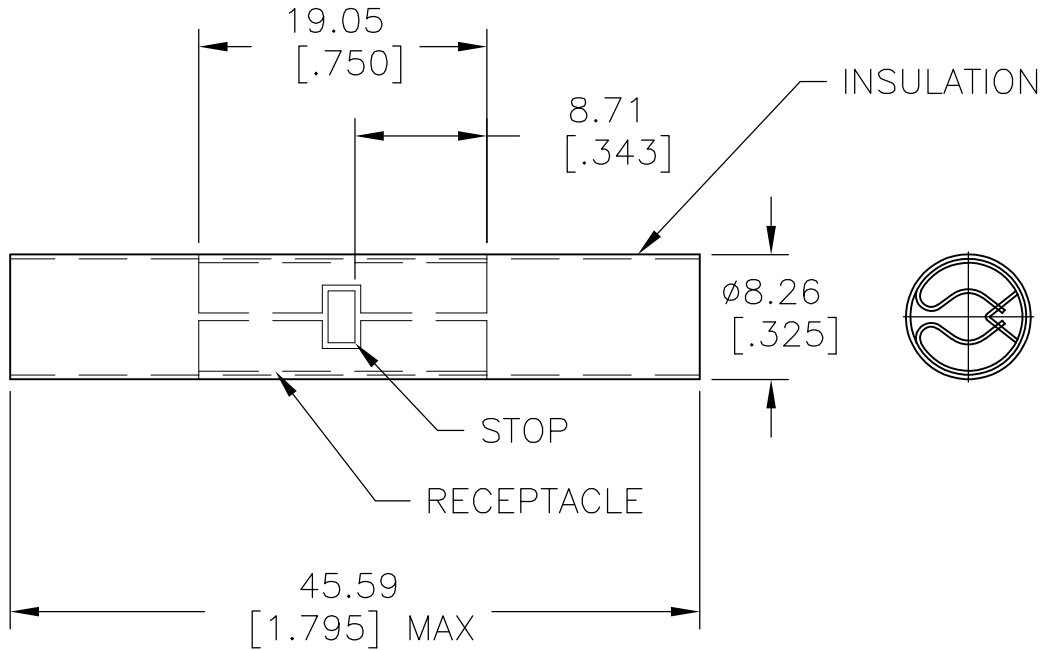
Tel: +86-755-8981 8866 Fax: +86-755-8427 6832

Email & Skype: info@chipsmall.com Web: www.chipsmall.com

Address: A1208, Overseas Decoration Building, #122 Zhenhua RD., Futian, Shenzhen, China



LOC	DIST	REVISIONS					
G	14	P	LTR	DESCRIPTION	DATE	DWN	APVD
			B1	REDRAWN PER ECR-09-004940	06MAR09	HMR	JR



RELEASED FOR PUBLICATION

ALL INTERNATIONAL RIGHTS RESERVED.

BY TYCO ELECTRONICS CORPORATION.

THIS DRAWING IS UNPUBLISHED.

COPYRIGHT

50	RECEPTACLE: BRASS(MIL-C-50) TIN PL(ASTM-B545)	LOOSE PC, BOX	8-36840-2
1	INSULATION: PVC, COLOR: RED	RECEPTACLE ASSY	36840
QTY	MATERIAL AND FINISH	DESCRIPTION	PART NO.

DIMENSIONS: mm [INCHES]	DWN RAGHAVENDRA	06MAR09	MATERIAL SEE TABLE	FINISH SEE TABLE
	CHK JEFF RUTH	06MAR09	Tyco Electronics Corporation Harrisburg, PA 17105-3608	
TOLERANCES UNLESS OTHERWISE SPECIFIED:	APVD TOM MICHIELUTTI	06MAR09		
0 PLC ± -	PRODUCT SPEC	-	SIZE A4	CAGE CODE 00779
1 PLC ± -	APPLICATION SPEC	-	DRAWING NO C-36840	RESTRICTED TO -
2 PLC ± -				
3 PLC ± 0.20[.008]				
4 PLC ± -				
ANGLES ± 5°	WEIGHT	-		
	CUSTOMER DRAWING		SCALE 2:1	SHEET 1 OF 1
				REV B1