



Chipsmall Limited consists of a professional team with an average of over 10 year of expertise in the distribution of electronic components. Based in Hongkong, we have already established firm and mutual-benefit business relationships with customers from,Europe,America and south Asia,supplying obsolete and hard-to-find components to meet their specific needs.

With the principle of “Quality Parts,Customers Priority,Honest Operation,and Considerate Service”,our business mainly focus on the distribution of electronic components. Line cards we deal with include Microchip,ALPS,ROHM,Xilinx,Pulse,ON,Everlight and Freescale. Main products comprise IC,Modules,Potentiometer,IC Socket,Relay,Connector.Our parts cover such applications as commercial,industrial, and automotives areas.

We are looking forward to setting up business relationship with you and hope to provide you with the best service and solution. Let us make a better world for our industry!



## Contact us

Tel: +86-755-8981 8866 Fax: +86-755-8427 6832

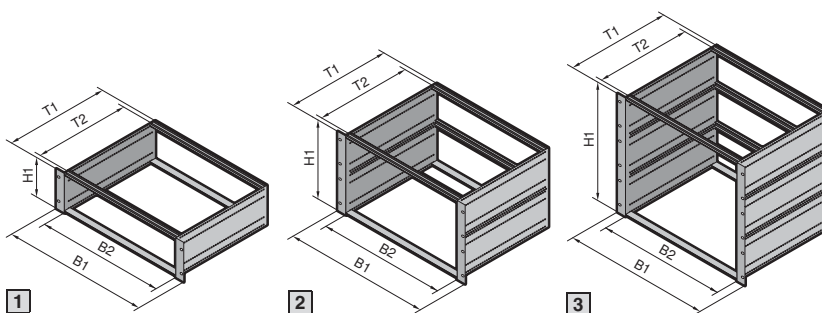
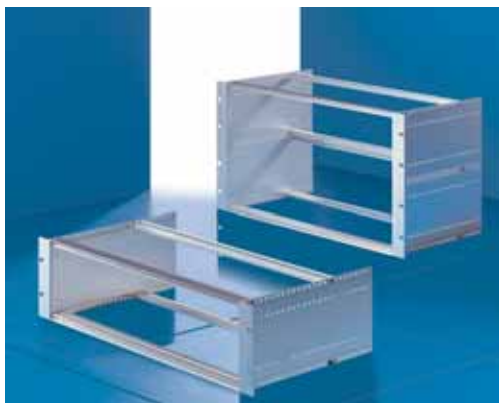
Email & Skype: info@chipsmall.com Web: www.chipsmall.com

Address: A1208, Overseas Decoration Building, #122 Zhenhua RD., Futian, Shenzhen, China



# SUBRACKS Ripac VARIO

## Ripac Vario 3 U, 6 U, 9 U



**EMC** upgradeable

B = Width  
T = Depth

**Material/surface finish:**

Side panels:  
2.5 mm aluminum, clear-chromated  
flanges and horizontal rails:  
Extruded aluminum section,  
clear-chromated

**Supply includes:**

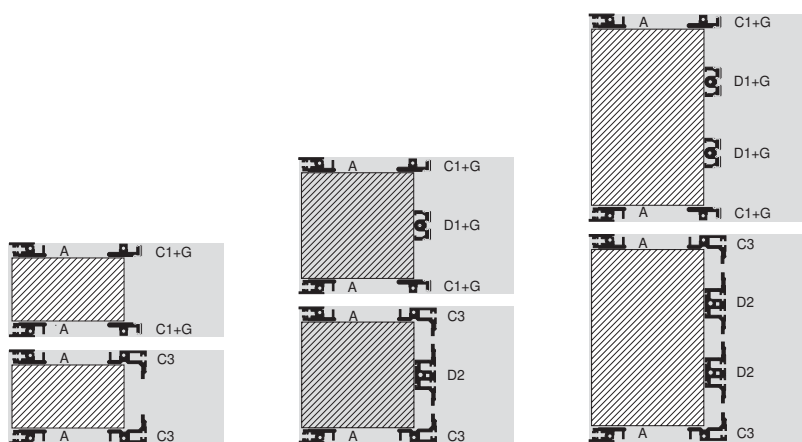
Flanges, side panels,  
horizontal rails, threaded  
inserts, insulating strips  
or Z rails.

**Tests:**

Shock and vibration tested to:  
IEC 600-68-2-6 test Fc  
IEC 600-68-2-27 test Ea

**Standards:**

Ripac subracks are based on  
the system dimensions of  
IEC 60 297-3.



**1** Top: for backplane  
Bottom: for connector

**2** Top: for backplane  
Bottom: for connector

**3** Top: for backplane  
Bottom: for connector

					Order No.					
					<b>1</b>		<b>2</b>		<b>3</b>	
<b>U</b>					3		6		9	
<b>Height (H1) mm</b>					132		265.35		398.70	
B1 mm	B2 HP	Side panel (T1) mm	T2 mm	Max. PCB depth mm	For backplane	For connector IEC 60 603-2	For backplane	For connector IEC 60 603-2	For backplane	For connector IEC 60 603-2
482.6 (19")	84	185	160	160	<b>3684.020</b>	<b>3684.034</b>	<b>3684.043</b>	<b>3684.056</b>	-	-
		225	200	160	<b>3684.021</b>	<b>3684.035</b>	<b>3684.044</b>	<b>3684.057</b>	-	-
		245	220	220	<b>3684.022</b>	<b>3684.036</b>	<b>3684.045</b>	<b>3684.058</b>	-	-
		285	260	220	<b>3684.023</b>	<b>3685.281</b>	<b>3684.046</b>	-	-	-
		305	280	280	<b>3685.231</b>	<b>3685.233</b>	<b>3685.238</b>	<b>3685.240</b>	-	-
		345	320	280	<b>3684.024</b>	-	<b>3684.047</b>	-	<b>3684.051</b>	<b>3684.059</b>
		365	340	340	<b>3685.232</b>	<b>3685.234</b>	<b>3685.239</b>	-	-	-
		405	380	340	<b>3684.025</b>	-	<b>3684.048</b>	-	<b>3684.052</b>	<b>3684.060</b>
		465	440	400	<b>3684.026</b>	-	<b>3684.049</b>	-	<b>3684.053</b>	<b>3684.061</b>
		525	500	400	<b>3684.027</b>	-	<b>3684.050</b>	-	<b>3684.054</b>	-
585	560	400	-	-	-	-	<b>3684.055</b>	-		



Ripac Vario 4 U, 7 U



**Material/surface finish:**

Side panels:  
2.5 mm aluminum, clear-chromated  
Flanges and horizontal rails:  
Extruded aluminum section, clear-chromated

**Supply includes:**

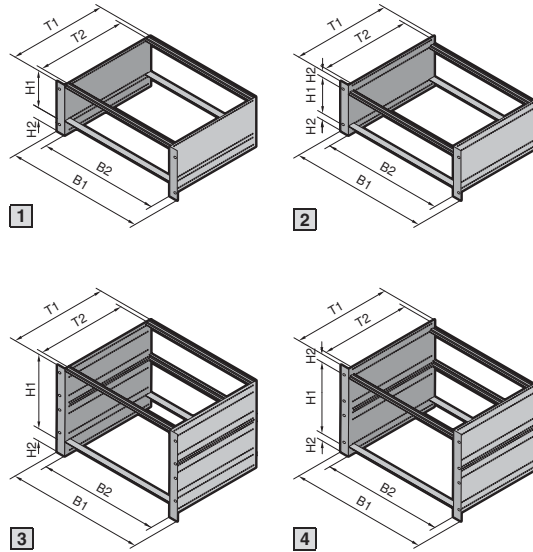
Flanges, side panels,  
horizontal rails, threaded  
inserts, insulating strips  
or Z rails.

**Tests:**

Shock and vibration tested to:  
IEC 600-68-2-6 test Fc  
IEC 600-68-2-27 test Ea

**Standards:**

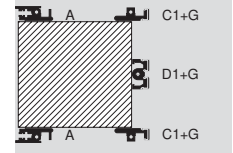
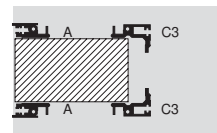
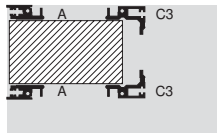
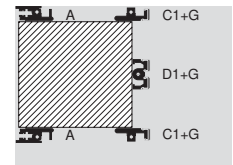
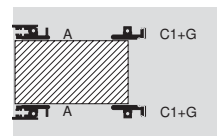
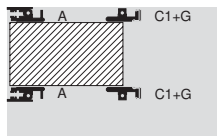
Ripac subracks are based on  
the system dimensions of  
IEC 60 297-3.



B = Width  
T = Depth

**EMC**

upgradeable



**1** Top: for backplane  
Bottom: for connector

**2** Top: for backplane  
Bottom: for connector

**3** Top: for backplane  
(6 U + 1 U)

**4** Bottom: for backplane  
(6 U + 2 x 1/2 U)

					Order No.					
					<b>1</b>		<b>2</b>		<b>3</b>	<b>4</b>
<b>U</b> (H1 + H2)					<b>4</b> (3 + 1)	<b>4</b> (3 + 1)	<b>4</b> (3 + 2 x 1/2)	<b>4</b> (3 + 2 x 1/2)	<b>7</b> (6 + 1)	<b>7</b> (6 + 2 x 1/2)
B1 mm	B2 HP	Side panel (T1) mm	T2 mm	Max. PCB depth mm	For backplane	For connector IEC 60 603-2	For backplane	For connector IEC 60 603-2	For backplane	For backplane
482.6 (19")	84	245	220	220	<b>3685.235</b>	-	-	-	-	-
		285	260	220	<b>3684.028</b>	<b>3684.037</b>	<b>3684.031</b>	<b>3684.040</b>	-	-
		305	280	280	<b>3685.236</b>	-	-	-	-	-
		345	320	280	<b>3684.029</b>	<b>3684.038</b>	<b>3684.032</b>	<b>3684.041</b>	-	-
		365	340	340	<b>3685.237</b>	-	-	-	-	-
		405	380	340	<b>3684.030</b>	<b>3684.039</b>	<b>3684.033</b>	<b>3684.042</b>	<b>3684.064</b>	<b>3684.062</b>
		465	440	400	-	-	-	<b>3684.065</b>	<b>3684.063</b>	