



Chipsmall Limited consists of a professional team with an average of over 10 year of expertise in the distribution of electronic components. Based in Hongkong, we have already established firm and mutual-benefit business relationships with customers from,Europe,America and south Asia,supplying obsolete and hard-to-find components to meet their specific needs.

With the principle of “Quality Parts,Customers Priority,Honest Operation,and Considerate Service”,our business mainly focus on the distribution of electronic components. Line cards we deal with include Microchip,ALPS,ROHM,Xilinx,Pulse,ON,Everlight and Freescale. Main products comprise IC,Modules,Potentiometer,IC Socket,Relay,Connector.Our parts cover such applications as commercial,industrial, and automotives areas.

We are looking forward to setting up business relationship with you and hope to provide you with the best service and solution. Let us make a better world for our industry!



Contact us

Tel: +86-755-8981 8866 Fax: +86-755-8427 6832

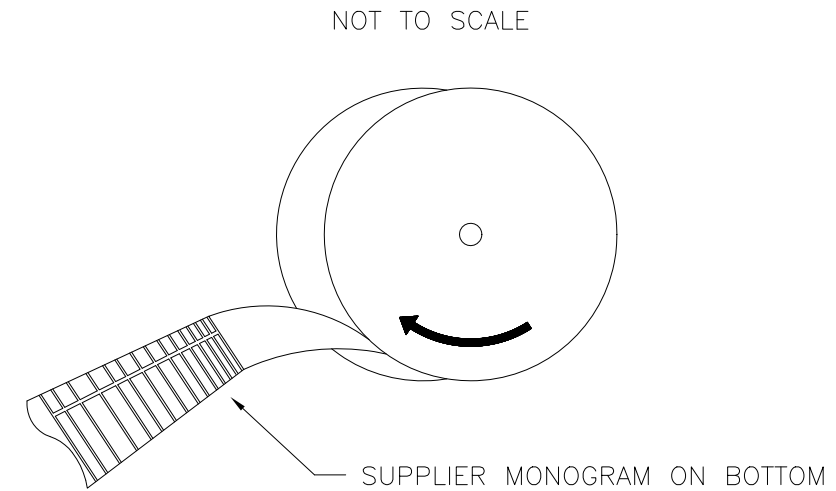
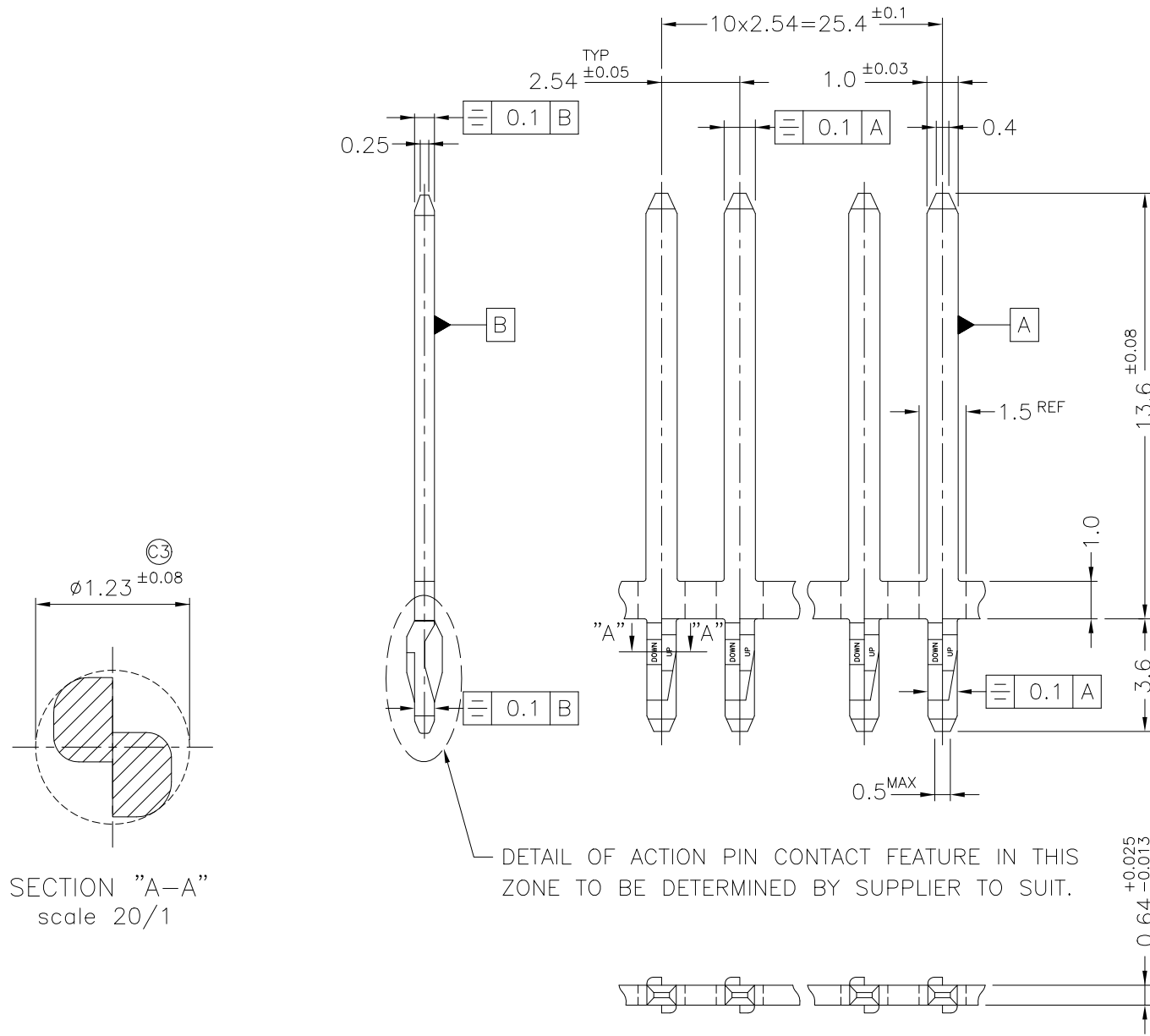
Email & Skype: info@chipsmall.com Web: www.chipsmall.com

Address: A1208, Overseas Decoration Building, #122 Zhenhua RD., Futian, Shenzhen, China



THIS DRAWING IS UNPUBLISHED. RELEASED FOR PUBLICATION
 © COPYRIGHT BY TYCO ELECTRONICS CORPORATION, ALL RIGHTS RESERVED.

LOC	DIST	REVISIONS					
		P	LTR	DESCRIPTION	DATE	DWN	APVD
			O	RELEASED (FC00-0016-00)	03.FEB'00	YM	CS
			A	REVISED (FC00-0152-00)	30.NOV'00	YM	CS
			B	REVISED (FC00-0088-01)	25.JUL'01	YM	CS
			C	REVISED (FC00-0068-03)	13.MAY'03	HS	CS
			C1	REVISED (ECR-06-007293)	27.MAR'06	YH	JK
			C2	REVISED (ECR-06-011318)	06.JUL'06	YH	JK
			C3	REVISED (ECR-07-005371)	27.AUG'07	SG	HG



© * NOTES;

- △ PHOSPHOR BRONZE- HARD
- 2 TRIMMING DIMENSION IS DETERMINED BY THE PRE-SETTING ON THE TE MACHINE.
- 3 PCB HOLE SIZE;
 DRILLED HOLE ϕ ; 1.15 \pm 0.025
 FINISHED HOLE ϕ ; 0.94 ~1.09
 Cu- THICKNESS; 0.025 ~0.075
 SnPb- THICKNESS; 0.004 ~0.010
- 4 DIMENSIONS APPLY BEFORE PLATING

600mm PLASTIC REEL/30M	TIN PLATING	△	1-368405-2
585mm PAPER REEL/30M	TIN PLATING	△	368405-2
REEL/Q'TY	FINISH	MATERIAL	PART NUMBER

THIS DRAWING IS A CONTROLLED DOCUMENT FOR TYCO ELECTRONICS CORPORATION IT IS SUBJECT TO CHANGE AND THE CONTROLLING ENGINEERING ORGANIZATION SHOULD BE CONTACTED FOR THE LATEST REVISION.		DWN : SG OH		AMP KOREA, kyungsan, korea	
DIMENSIONS: MM DIMENSIONS APPLY BEFORE PLATING		CHK : YD LEE			
		APVD : HG CHD		NAME	
TOLERANCES UNLESS OTHERWISE SPECIFIED: 0 <XX<10 ± 0.2 10<XX<30 ± 0.25 30<XX<100 ± 0.3 ANGLES ± 3°		PRODUCT SPEC		ACTION-PIN FOR .040 TYPE	
MATERIAL △		APPLICATION SPEC			
FINISH SEE TABLE		WEIGHT		SIZE	CAGE CODE
		CUSTOMER DRAWING		A3	00779
				DRAWING NO	RESTRICTED TO
				3 6 8 4 0 5	
				SCALE 10/1	SHEET 1 OF 1
				REV C3	