



Chipsmall Limited consists of a professional team with an average of over 10 year of expertise in the distribution of electronic components. Based in Hongkong, we have already established firm and mutual-benefit business relationships with customers from,Europe,America and south Asia,supplying obsolete and hard-to-find components to meet their specific needs.

With the principle of “Quality Parts,Customers Priority,Honest Operation,and Considerate Service”,our business mainly focus on the distribution of electronic components. Line cards we deal with include Microchip,ALPS,ROHM,Xilinx,Pulse,ON,Everlight and Freescale. Main products comprise IC,Modules,Potentiometer,IC Socket,Relay,Connector.Our parts cover such applications as commercial,industrial, and automotives areas.

We are looking forward to setting up business relationship with you and hope to provide you with the best service and solution. Let us make a better world for our industry!



Contact us

Tel: +86-755-8981 8866 Fax: +86-755-8427 6832

Email & Skype: info@chipsmall.com Web: www.chipsmall.com

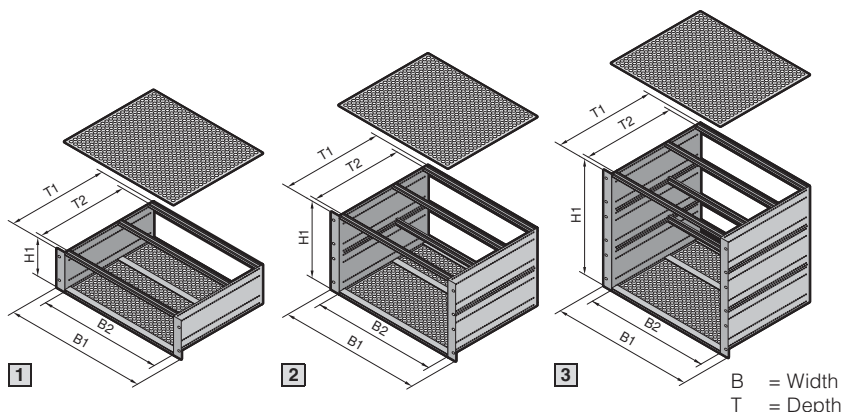
Address: A1208, Overseas Decoration Building, #122 Zhenhua RD., Futian, Shenzhen, China



SUBRACKS

Ripac VARIO EMC

Ripac Vario EMC 3 U, 6 U, 9 U



Material/surface finish:

Side panels:
2.5 mm aluminum, clear-chromated
Flanges and horizontal rails:
Extruded aluminum section,
clear-chromated
Covers: Aluminum, unplated

Supply includes:

Flanges, rear trim, side panels, EMC gaskets, covers, mounting blocks, horizontal rails, insulating strips.

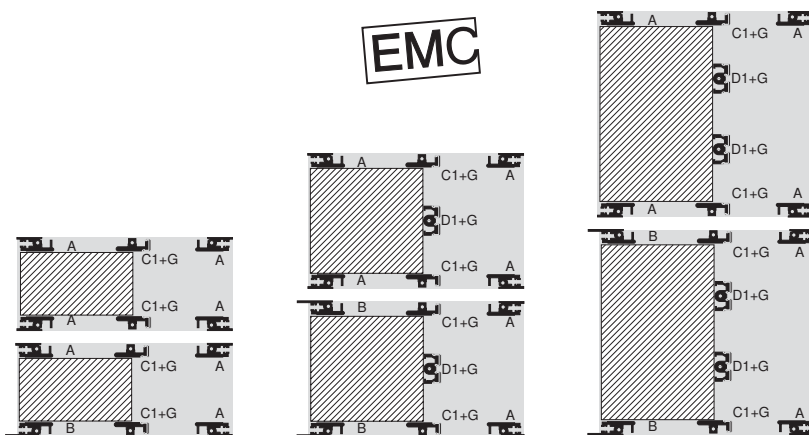
Tests:

Shock and vibration tested to:
IEC 600-68-2-6 test Fc
IEC 600-68-2-27 test Ea

Standards:

Ripac subracks are based on the system dimensions of IEC 60 297-3.

EMC



1
Top: for backplane
Bottom: for backplane/
front horizontal rail with
10 mm extension

2
Top: for backplane
Bottom: for backplane/
front horizontal rail with
10 mm extension

3
Top: for backplane
Bottom: for backplane/
front horizontal rail with
10 mm extension

					Order No.					
					1		2		3	
U					3		6		9	
Height (H1) mm					132		265.35		398.70	
B1 mm	B2 HP	Side panel (T1) mm	T2 mm	Max. PCB depth mm	For backplane	For backplane ¹⁾	For backplane	For backplane ¹⁾	For backplane	For backplane ¹⁾
482.6 (19")	84	245	220	160	3684.128	3684.142	3684.156	3684.169	-	-
		285	260	220	3684.129	3684.143	3684.157	3684.170	-	-
		305	280	220	3685.241	3685.243	3685.242	3685.244	-	-
		345	320	280	3684.130	3684.144	3684.158	3684.171	3684.162	3684.175
		405	380	340	3684.131	3684.145	3684.159	3684.172	3684.163	3684.176
		465	440	400	3684.132	3684.146	3684.160	3684.173	3684.164	3684.177
		525	500	400	3684.133	3684.147	3684.161	3684.174	3684.165	3684.178
		585	560	400	-	-	-	-	3684.166	3684.179

¹⁾ Front horizontal rails with 10 mm extension for injector/extractor handles (B).

Ripac Vario EMC 4 U, 7 U



Material/surface finish:

Side panels:
2.5 mm aluminum, clear-chromated
Flanges and horizontal rails:
Extruded aluminum section,
clear-chromated
Covers: Aluminum, unplated

Supply includes:

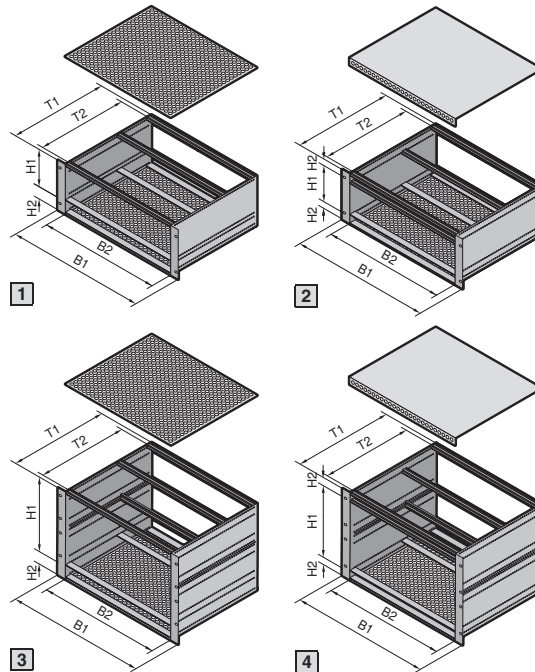
Flanges, rear trims, side panels, EMC gaskets, covers, mounting blocks, horizontal rails, threaded inserts, insulating strips.

Tests:

Shock and vibration tested to:
IEC 600-68-2-6 test Fc
IEC 600-68-2-27 test Ea

Standards:

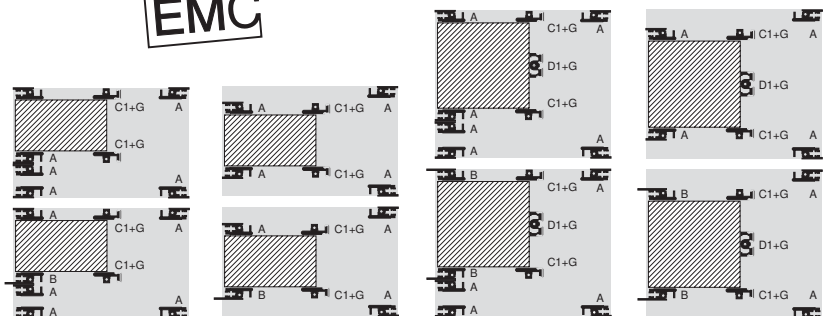
Ripac subracks are based on the system dimensions of IEC 60 297-3.



ge 14

B = Width
T = Depth

EMC



1 Top: for backplane
bottom: for backplane/
front horizontal rail with
10 mm extension

2 Top: for backplane
bottom: for backplane/
front horizontal rail with
10 mm extension

3 Top: for backplane
bottom: for backplane/
front horizontal rail with
10 mm extension

4 Top: for backplane
bottom: for backplane/
front horizontal rail with
10 mm extension

						Order No.							
						1		2		3		4	
U (H1 + H2)						4 (3 + 1)	4 (3 + 1)	4 (3 + 2 x 1/2)	4 (3 + 2 x 1/2)	7 (6 + 1)	7 (6 + 1)	7 (6 + 2 x 1/2)	7 (6 + 2 x 1/2)
B1 mm	B2 HP	Side panel (T1) mm	T2 mm	Max. PCB depth mm		For backplane	For backplane ¹⁾	For backplane	For backplane ¹⁾	For backplane	For backplane ¹⁾	For backplane	For backplane ¹⁾
482.6 (19")	84	285	260	220		3684.134	3684.148	3684.137	3684.151	3684.187	3684.192	—	—
		345	320	280		3684.135	3684.149	3684.138	3684.152	3684.188	3684.193	3684.189	3684.196
		405	380	340		3684.136	3684.150	3684.139	3684.153	3684.180	3684.194	3684.190	3684.197
		465	440	400		—	—	—	—	3684.181	3684.195	3684.191	3684.198

¹⁾ Front horizontal rails with 10 mm extension for injector/extractor handles (B).