



Chipsmall Limited consists of a professional team with an average of over 10 year of expertise in the distribution of electronic components. Based in Hongkong, we have already established firm and mutual-benefit business relationships with customers from,Europe,America and south Asia,supplying obsolete and hard-to-find components to meet their specific needs.

With the principle of "Quality Parts,Customers Priority,Honest Operation,and Considerate Service",our business mainly focus on the distribution of electronic components. Line cards we deal with include Microchip,ALPS,ROHM,Xilinx,Pulse,ON,Everlight and Freescale. Main products comprise IC,Modules,Potentiometer,IC Socket,Relay,Connector.Our parts cover such applications as commercial,industrial, and automotives areas.

We are looking forward to setting up business relationship with you and hope to provide you with the best service and solution. Let us make a better world for our industry!



Contact us

Tel: +86-755-8981 8866 Fax: +86-755-8427 6832

Email & Skype: info@chipsmall.com Web: www.chipsmall.com

Address: A1208, Overseas Decoration Building, #122 Zhenhua RD., Futian, Shenzhen, China



4

3

2

1

THIS DRAWING IS UNPUBLISHED.

RELEASED FOR PUBLICATION

© COPYRIGHT

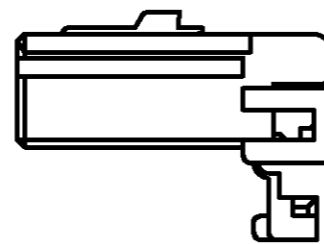
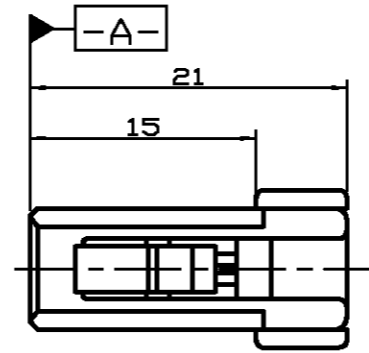
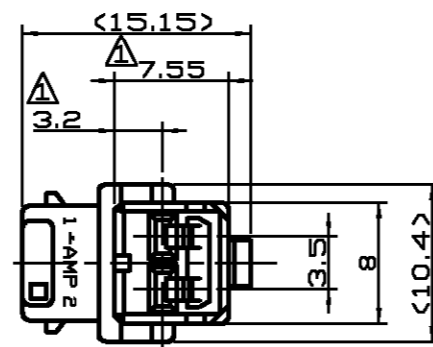
ALL RIGHTS RESERVED.

LOC
DS

DIST
-

REVISIONS

| P | LTR | DESCRIPTION | DATE | DWN | APVD |
|---|-----|---------------------------|---------|-----|------|
| | C1 | REVISED PER ECO-11-005294 | 13APR11 | RK | HMR |



NOTES

- 1. MUST BE KEPT BETWEEN $-A-$ AND 2.0 mm
- 2. APPLIED RECEPTACLE CONTACT P/N: 173631.
- 3. APPLIED PLUG HSG P/N: 368545.

| | |
|-------------|-------|
| 368538-5 | BLUE |
| 368538-2 | BLACK |
| 368538-1 | WHITE |
| PART NUMBER | COLOR |

| | | | | | | | |
|--------------------------------|--|---|--|---|--|--|--|
| <p>DIMENSIONS: MM</p> | | <p>TOLERANCES UNLESS OTHERWISE SPECIFIED:</p> <p>0 <XX<10 ± 0.2</p> <p>10<XX<30 ± 0.25</p> <p>30<XX ± 0.3</p> <p>ANGLES ± 3°</p> | | <p>DWN IS WOO</p> <p>CHK KT LIM</p> <p>APVD JK SONG</p> <p>PRODUCT SPEC -</p> <p>APPLICATION SPEC -</p> <p>WEIGHT 0.9 g</p> | | <p>NAME</p> <p>STE TE Connectivity</p> <p>.070 MLC 2P PLUG HSG.</p> | |
| <p>MATERIAL P.B.T</p> <p>-</p> | | <p>FINISH -</p> <p>-</p> | | <p>SIZE A3</p> <p>CAGE CODE 00779</p> <p>DRAWING NO C=368538</p> | | <p>RESTRICTED TO -</p> | |
| <p>CUSTOMER DRAWING</p> | | | | <p>SCALE 2/1</p> | | <p>SHEET 1 OF 1</p> | |
| | | | | | | <p>REV C1</p> | |