

Chipsmall Limited consists of a professional team with an average of over 10 year of expertise in the distribution of electronic components. Based in Hongkong, we have already established firm and mutual-benefit business relationships with customers from,Europe,America and south Asia,supplying obsolete and hard-to-find components to meet their specific needs.

With the principle of “Quality Parts,Customers Priority,Honest Operation,and Considerate Service”,our business mainly focus on the distribution of electronic components. Line cards we deal with include Microchip,ALPS,ROHM,Xilinx,Pulse,ON,Everlight and Freescale. Main products comprise IC,Modules,Potentiometer,IC Socket,Relay,Connector.Our parts cover such applications as commercial,industrial, and automotives areas.

We are looking forward to setting up business relationship with you and hope to provide you with the best service and solution. Let us make a better world for our industry!



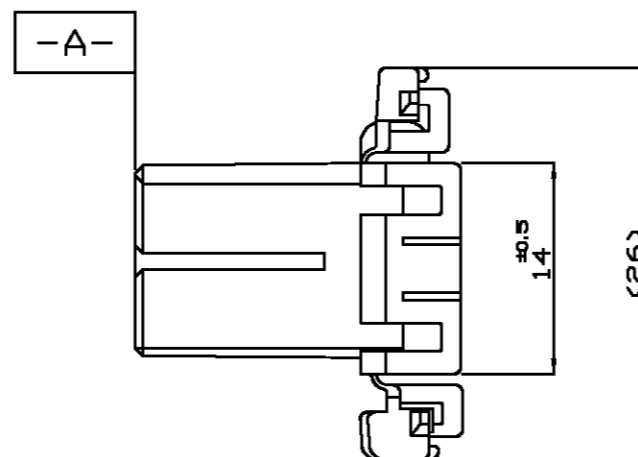
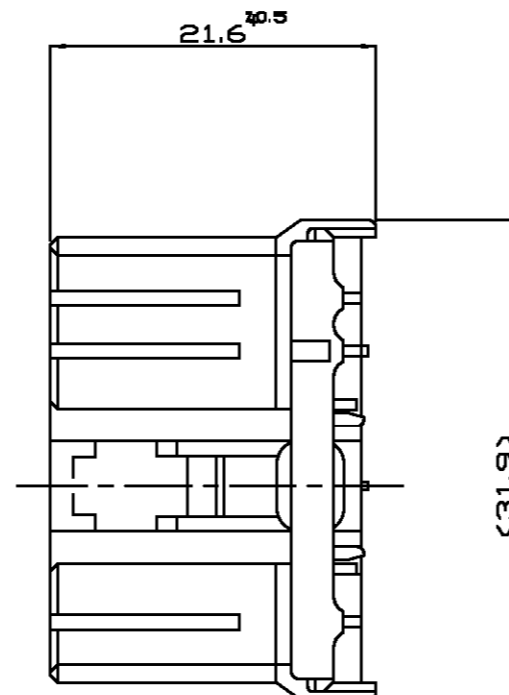
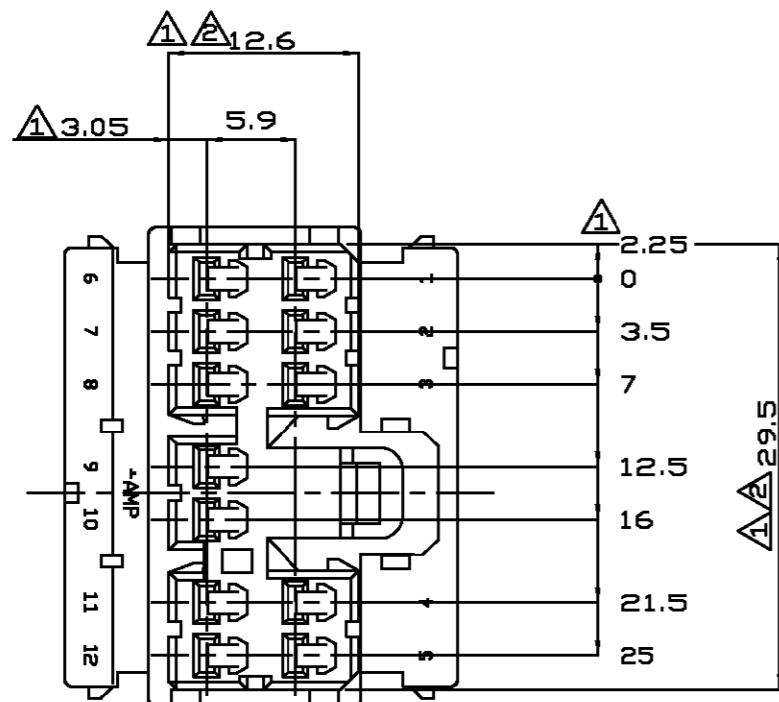
Contact us

Tel: +86-755-8981 8866 Fax: +86-755-8427 6832

Email & Skype: info@chipsmall.com Web: www.chipsmall.com

Address: A1208, Overseas Decoration Building, #122 Zhenhua RD., Futian, Shenzhen, China

P	LTR	DESCRIPTION	DATE	JVN	APVD
	0	RELEASED(FC00-0002-00)	04,JAN,00	HS	CS
	A	REVISED(FC00-0337-04)	28,DEC,04	SB	CS



NOTES

- ① MUST BE KEPT BETWEEN -A- AND 2.
- ② TO BE MATE WITH CAP HSG SMOOTHLY.
- 3, APPLIED CONTACT P/N: 173630, 173631.

①	368542-9	BLACK
	368542-1	NATURAL
	P/N	COLOR
		AMP KOREA. kyungsan, korea

THIS DRAWING IS A CONTROLLED DOCUMENT FOR AMP INCORPORATED. IT IS SUBJECT TO CHANGE AND THE CONTROLLING ENGINEERING ORGANIZATION SHOULD BE CONTACTED FOR THE LATEST REVISION.		JVN	NAME .070 MLC 12P PLUG HSG.		
DIMENSIONS: MM		CHK			
 3rd ANGLE PROJECTION		APVD			
MATERIAL: P.B.T		PRODUCT SPEC			
TOLERANCES UNLESS OTHERWISE SPECIFIED:		APPLICATION SPEC	SIZE: A3		
0 <XX<10 ± 0.2		WEIGHT	CAGE CODE: 00779		DRAWING NO: 368542
10 <XX<30 ± 0.25			SCALE 2/1		SHEET 1 OF 1
30 <XX ± 0.3			REV A		
ANGLES ± 3°					
FINISH: ---					