



Chipsmall Limited consists of a professional team with an average of over 10 year of expertise in the distribution of electronic components. Based in Hongkong, we have already established firm and mutual-benefit business relationships with customers from,Europe,America and south Asia,supplying obsolete and hard-to-find components to meet their specific needs.

With the principle of “Quality Parts,Customers Priority,Honest Operation,and Considerate Service”,our business mainly focus on the distribution of electronic components. Line cards we deal with include Microchip,ALPS,ROHM,Xilinx,Pulse,ON,Everlight and Freescale. Main products comprise IC,Modules,Potentiometer,IC Socket,Relay,Connector.Our parts cover such applications as commercial,industrial, and automotives areas.

We are looking forward to setting up business relationship with you and hope to provide you with the best service and solution. Let us make a better world for our industry!



## Contact us

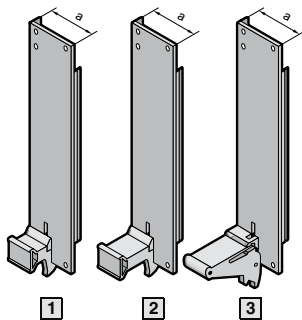
Tel: +86-755-8981 8866 Fax: +86-755-8427 6832

Email & Skype: info@chipsmall.com Web: www.chipsmall.com

Address: A1208, Overseas Decoration Building, #122 Zhenhua RD., Futian, Shenzhen, China



### U-channel front panels



Detailed drawing,  
see page 135

**With type I, II extractor handle or type IV injector/extractor handle**  
Complete modular systems

**Material:**  
front panel: extruded aluminum section,  
clear-chromated  
Handle: Plastic, black

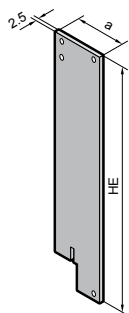
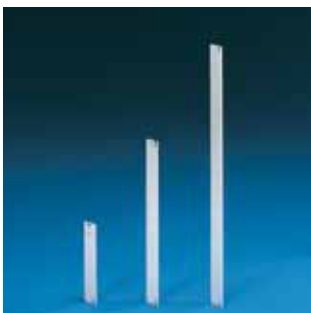
**Supply includes:**  
1 front panel,  
2 handles (1 with 3 U),  
1 EMC gasket, vertical, version 1  
1 set of assembly parts,  
1 PCB holder (for 3 U).



U	HP	a mm	Order No.		
			1 Type I	2 Type II	3 Type IV <sup>1)</sup>
3	4	20.0	3684.344	3684.374	3684.413
3	5	25.1	3684.345	3684.375	3684.414
3	6	30.2	3684.346	3684.376	3684.415
3	7	35.3	3684.347	3684.377	3684.416
3	8	40.3	3684.348	3684.378	3684.417
3	10	50.5	3684.349	3684.379	3684.418
3	12	60.7	3684.350	3684.380	3684.419
6	4	20.0	3684.351	3684.381	3684.420
6	5	25.1	3684.352	3684.382	3684.421
6	6	30.2	3684.353	3684.383	3684.422
6	7	35.3	3684.354	3684.384	3684.423
6	8	40.3	3684.355	3684.385	3684.424
6	10	50.5	3684.356	3684.386	3684.425
6	12	60.7	3684.357	3684.387	3684.426
9	4	20.0	–	3684.388	3684.427
9	5	25.1	–	–	3684.428
9	6	30.2	–	–	3684.429
9	7	35.3	–	–	3684.430
9	8	40.3	–	3684.389	3684.431
9	10	50.5	–	–	3684.432
9	12	60.7	–	–	3684.433

<sup>1)</sup> Can only be inserted in conjunction with front horizontal rails, with 10 mm roof (B), see page 109.

### Flat front panels



HE = U

**For type I, II, IV, IVs or VII handles**

**Material:**  
2.5 mm aluminum, anodized

HP	a mm	Order No.		
		3 U	6 U	9 U
4	20.0	3685.500	3685.508	3685.516
5	25.1	3685.501	3685.509	3685.517
6	30.2	3685.502	3685.510	3685.518
7	35.3	3685.503	3685.511	3685.519
8	40.3	3685.504	3685.512	3685.520
10	50.5	3685.505	3685.513	3685.521
12	60.7	3685.506	3685.514	3685.522

Detailed drawing,  
see page 135

#### ! Also required:

From front panel widths of 4 HP (at 3 U) and 7 HP (at 6 U):  
Collar screws and plastic collars,  
packs of 100 sets, order no. 3658.160,  
see page 164  
For 3 U front panels:  
PCB holder set, see page 146