



Chipsmall Limited consists of a professional team with an average of over 10 year of expertise in the distribution of electronic components. Based in Hongkong, we have already established firm and mutual-benefit business relationships with customers from,Europe,America and south Asia,supplying obsolete and hard-to-find components to meet their specific needs.

With the principle of “Quality Parts,Customers Priority,Honest Operation,and Considerate Service”,our business mainly focus on the distribution of electronic components. Line cards we deal with include Microchip,ALPS,ROHM,Xilinx,Pulse,ON,Everlight and Freescale. Main products comprise IC,Modules,Potentiometer,IC Socket,Relay,Connector.Our parts cover such applications as commercial,industrial, and automotives areas.

We are looking forward to setting up business relationship with you and hope to provide you with the best service and solution. Let us make a better world for our industry!



Contact us

Tel: +86-755-8981 8866 Fax: +86-755-8427 6832

Email & Skype: info@chipsmall.com Web: www.chipsmall.com

Address: A1208, Overseas Decoration Building, #122 Zhenhua RD., Futian, Shenzhen, China





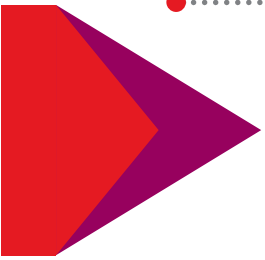
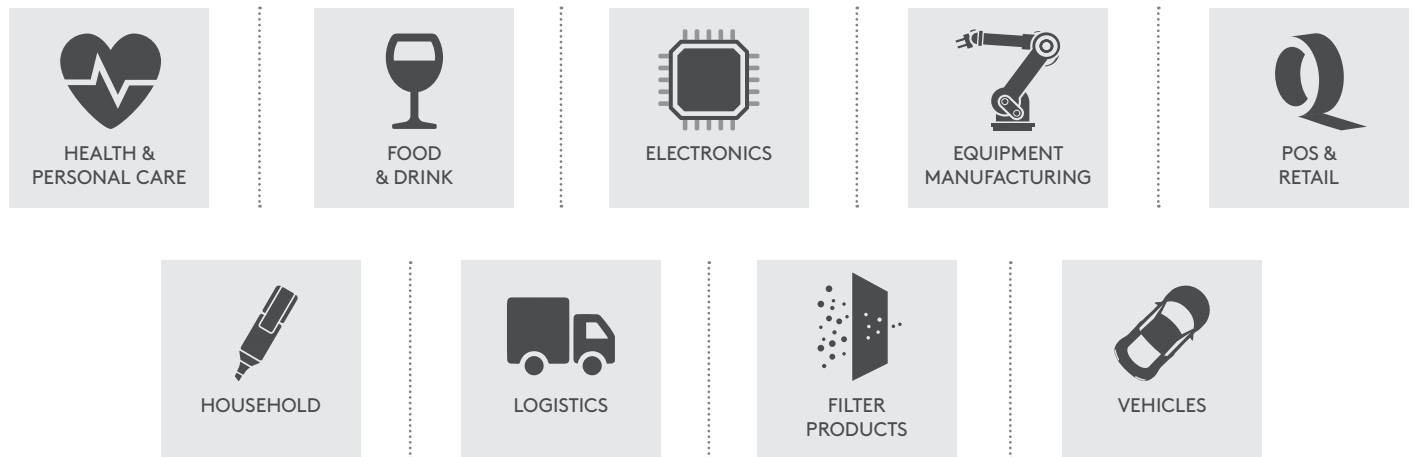
ESSENTRA

WELCOME TO ESSENTRA

We are global manufacturers and distributors of vital component parts for hundreds of markets and thousands of products. We're proud of what we do and believe that even the smallest products have a big part to play.



OUR KEY MARKETS



50⁺
Year
Heritage

64
Sale & Distribution
Operations

5
R&D
Centres

GLOBAL REACH WITH A LOCAL TOUCH

We bring together the best products, ideas and distribution.

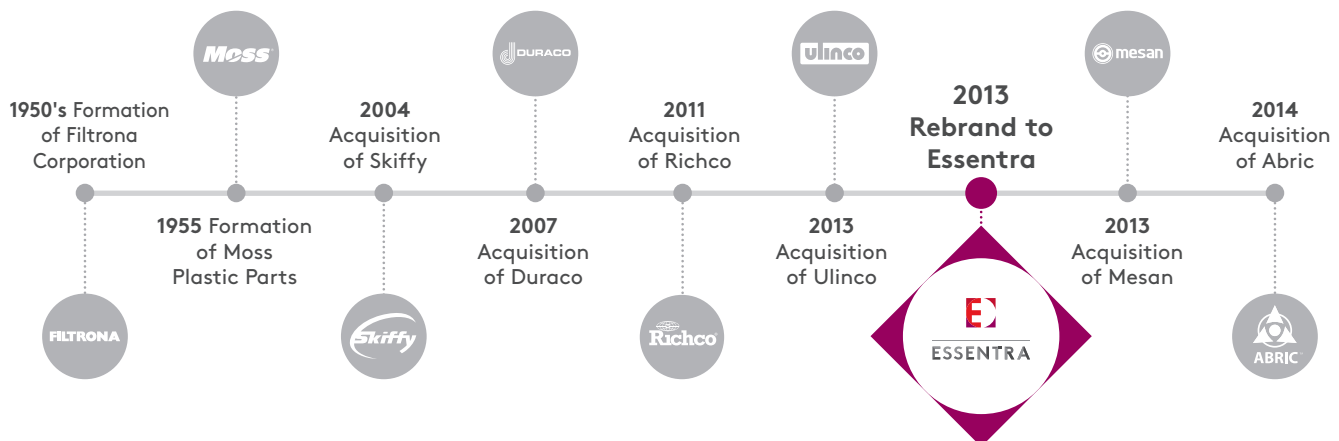
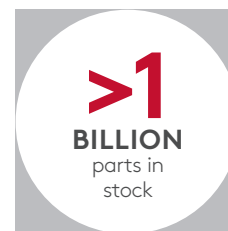


Our network includes **69** principal manufacturing facilities



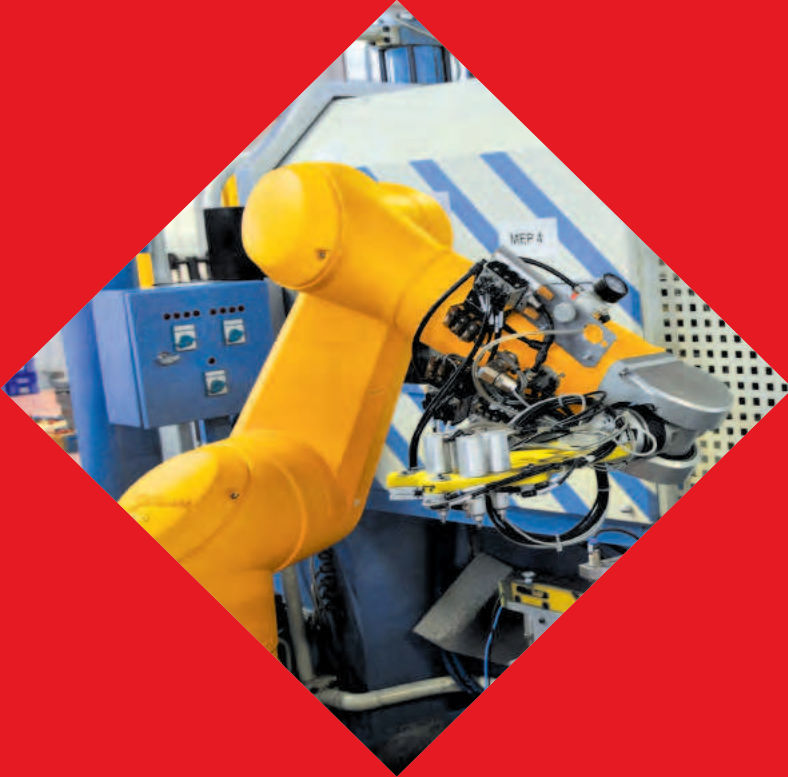
WHO IS ESSENTRA COMPONENTS?

WHETHER YOU HAVE A GLOBAL OR LOCAL PERSPECTIVE, OUR COMBINED REACH AND COLLECTIVE INSIGHT CREATES SOLUTIONS DESIGNED FOR YOU





R&D AND PRODUCTION



Essentra Access Solutions develop high-performance, innovative, ergonomic customer-oriented products, sensitive to the environment and human health, and which comply with national and international standards.

Our products are developed with the current and future needs of our customers in mind. Our main objective is to be a solutions partner for our customers, by delivering a full range of products with different styling, colours, materials and functionality.

We're committed to continually improving our products and helping our customers realise their full potential. As Essentra, we will continue to use our innovative technology and global distribution network to deliver the highest value to our customers.



QUALITY



We understand that continuous improvement in all of our processes drives customer satisfaction. We ensure our products meet customer expectations, and technical and legal requirements.

Our quality system is ISO 9001-2008 certified and our products are manufactured to comply with RoHS standards. We meet our obligations concerning the Registration, Evaluation, Authorisation, and Restriction of Chemicals (REACH).

We commit to:

- Products with superior quality
- A lean manufacturing approach to identify and eliminate waste
- Continuous development of our processes
- Providing a modern, safe and peaceful working environment for our employees
- Leading the industry with innovative concepts
- Designing and manufacturing high value-added products, delivering them on time at reasonable prices
- Ethical values and being sensitive to the environment



AREAS OF EXPERTISE

ELECTRICAL ENCLOSURES



A wide range of locks, hinges and accessories for indoor and outdoor cabinets, all with excellent security

IT ENCLOSURES



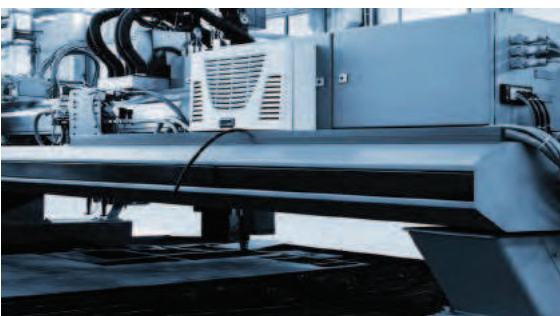
High-security products that protect an organisation's data

GENERATORS-COMPRESSORS



Heavy-duty products with numerous benefits including noise isolation and reducing vibration

INDUSTRIAL MACHINERY



Cost-effective machine safety products that provide real value

YOUR SOLUTIONS PARTNER

HVAC



Designed for sealed cabinets to control temperature and humidity

RAILWAY



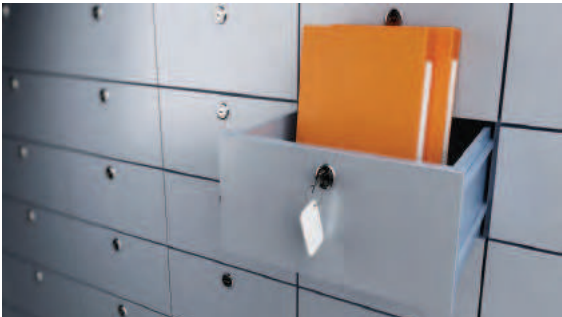
Solutions that reduce vibration and noise

TRANSPORTATION



Heavy-duty products made to last

FURNITURE



Combines easy operation and stylish design



HERO PRODUCTS

Locks

Hinges

Gaskets

Handles

Stainless Steel Products

Electronic

p17



p68



p82



p110



p144-149



p169



p215



p241



p254



p274



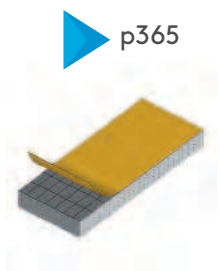
p302



p330



▶ Locks ▶ Hinges ▶ Gaskets ▶ Handles ▶ Stainless Steel Products ▶ Electronic

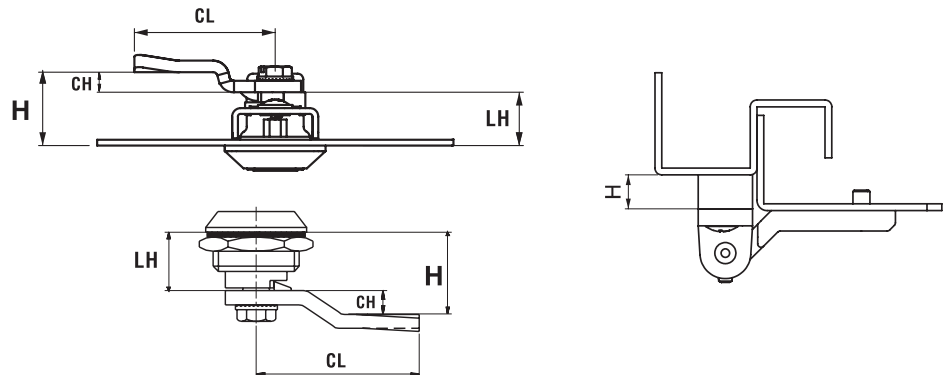


PRODUCT CODE DESCRIPTIONS

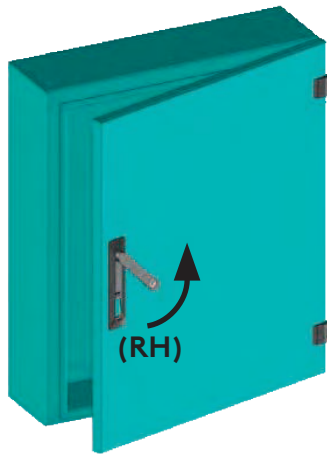
DESCRIPTIONS	MATERIALS AND FINISH OPTIONS
 GROUP CODE	<p>M MATERIAL</p> <p>1 Zamak 2 Plastic 3 Brass 4 Stainless steel 5 Aluminium 6 Steel</p> <p>F FINISH</p> <p>0 No finish 1 Chrome 2 Black coated 3 Zinc plated 7 Matt anodized</p>
M MATERIAL	
F FINISH	
DD CYLINDER - DRIVER	
CC CAM	
V VERSION	
DT DOOR THICKNESS	
L LENGTH	
H HEIGHT	
LH HOUSING LENGTH	
P PIN	
001 RIGHT HAND	
002 LEFT HAND	
1 OPTIONAL/IP 65	
1 OPTIONAL/PADLOCK HASP	
2 OPTIONAL/DUST CAP	
12 OPTIONAL/PADLOCK HASP + DUST CAP	
EXAMPLE PRODUCT CODE	
<p>062 - 1 - 2 - 42</p> <p>↓ ↓ ↓ ↓</p> <p>062 - M - F - CC</p> <p>GROUP CODE MATERIAL FINISH CAM</p>	
<p>062-1-2-42</p> <p>062 Quarter turn – wing knob 1 Zamak material 2 Black coated 42 Cam: 7x49 mm</p>	

TECHNICAL DRAWING DESCRIPTIONS

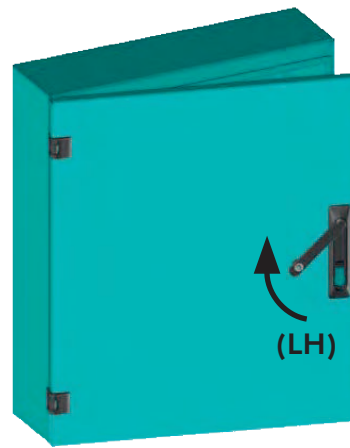
- H:** Grip
- LH:** Housing length
- CL:** Cam length
- CH:** Cam height
- L:** Length
- H:** Height



DOOR-LOCKING DIRECTIONS























Right hand



Left hand

SYMBOLS

 RoHS	RoHS Compliant		Inside gasketing application		Outside gasketing application
 IP 65	IP 65 sealing level	 IP 55	IP 55 sealing level		Foam gasketing
 LH/RH	Suitable for left or right hand	 RH	Right hand only	 LH	Left hand only
 Earthing	Earthing		Padlock version	 New	New product
 Concealed hinge	Concealed hinge		Side hinge		Corner hinge
 Flat hinge	Flat hinge		Lift-off hinge	 2 D	Two dimensions
			Door-type Hinge	 3 D	Three dimensions

EXPLANATIONS

- * All dimensions mentioned in this catalogue are in millimetres (mm)
- * We comply with RoHS
- * Finishes comply with TS EN 12540
- * We reserve the right to make changes to product specifications without prior notice
- * Our polyamide products and EPDM gasket products can be produced as flame resistant to comply with the UL94 standard
- * All images, text and designs contained within this catalogue remain the copyright of Essentra Components

JUST A FEW OF OUR **STANDARD PRODUCTS**

FOR
EQUIPMENT
CONTROL



Vibration Mounts

Heavy Duty Fixed
Stud Leveling Foot

Soft Touch Lobe Knobs

FOR
ENCLOSURES



Grommet Strip

Push Mount Ties

Nylon Cable Glands

FOR
FASTENING



Quarter Turn &
Snap Latches

Fir Tree Fasteners

Rack Panel
Quarter Turn Fastener

AND
THERE IS MORE...



Masking Plugs

Drawing Pocket

Heavy Duty Lid Stays

REQUEST OUR FULL COMPONENTS CATALOGUE!

**OVER 35,000 STANDARD PRODUCTS
FOR FAST DISPATCH**



**Index Clamping
Handles**

**Digital Position
Indicator**

Handles

Castors

**Nylon Slide Bearings
with Flange**



Vibration Mounts

Standard Grommets

**3:1 Heat Shrink
Tubing Reels**

IP67 Grommet

Gasketing



Metal Slotted Screw

**Screw Rivet
Fasteners**

**Quarter Turn Planking
Plugs for 19" Racks**

Spacers

**Quarter Turn
Fasteners**



Hose/Wire Wrap

**Counter Screens/
Inspection Window**

Adjustable Latches

Rotary Damper Body

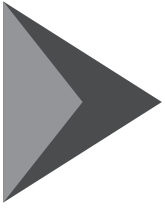
**Heavy Duty
Hoist Rings**

GO ONLINE:

- REQUEST FREE SAMPLES
- 3D CAD DRAWINGS
- ORDER ONLINE

 www.essentracomponents.co.uk

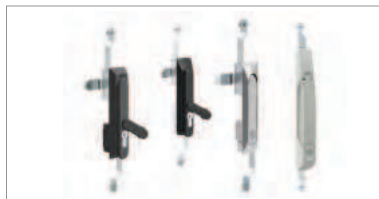




PRODUCT GROUPS



SWINGHANDLES
14 – 45



ROD-LATCH SYSTEM
46 – 79



HEAVY-DUTY LOCKS
80 – 107



MISCELLANEOUS PRODUCTS
108 – 141



CAMS, KEYS, RODS & ROD GUIDES
142 – 163



QUARTER-TURN LOCKS
164 – 211



CAM LOCKS
212 – 237



FURNITURE & STEEL CUPBOARD LOCKS
238 – 251



SIDE HINGES
252 – 263



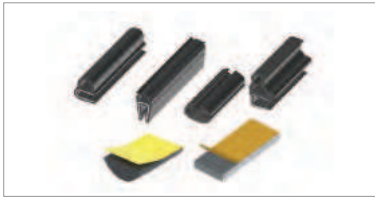
CONCEALED HINGES
264 – 297



CORNER HINGES
298 – 319



FLAT HINGES
320 – 361



GASKETS
362 – 381



HANDLES
382 – 395



ACCESSORIES
396 – 419



STAINLESS STEEL PRODUCTS
420 – 481



ELECTRONIC LOCKING SYSTEM
482 – 505



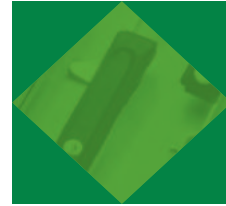


LOCKS



SWINGHANDLES

GROUP CODE	PRODUCT NAME
001	SWINGHANDLE
201	SWINGHANDLE
101	SWINGHANDLE
501	SWINGHANDLE
601	SWINGHANDLE
408	SWINGHANDLE
105	SWINGHANDLE
206	SWINGHANDLE
306	SWINGHANDLE
106	SWINGHANDLE
008	SWINGHANDLE
908	SWINGHANDLE
108	SWINGHANDLE
208	SWINGHANDLE
218	SWINGHANDLE
808	SWINGHANDLE
708	SWINGHANDLE
308	SWINGHANDLE
318	SWINGHANDLE
518	SWINGHANDLE
508	SWINGHANDLE
006	SWINGHANDLE



ESSENTRA

PAGE	
16,18	
17	
19	
20	
21	
22 - 23	
24	
25	
26	
27	
28	
29	
30 - 33	
34 - 35	
36	
37	
38 - 39	
40	
41	
42	
43	
44	

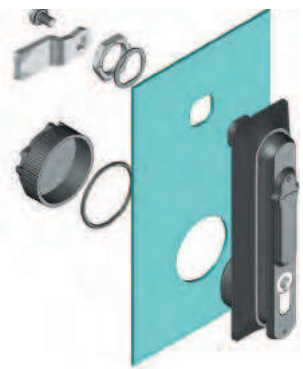
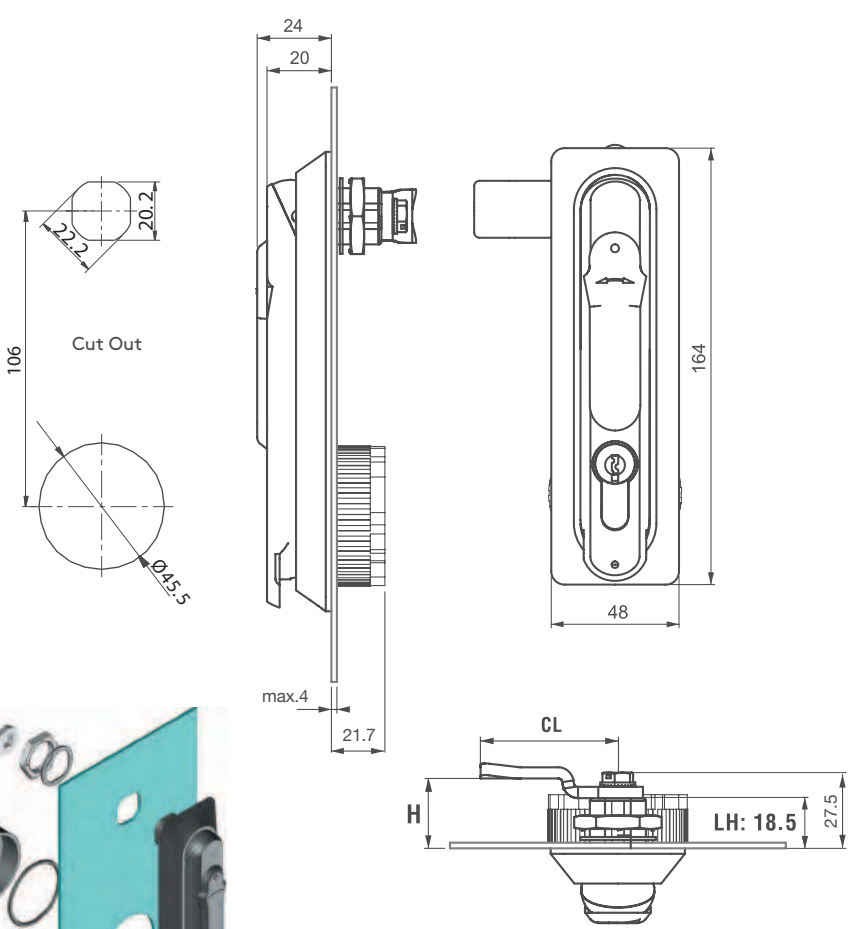


SWINGHANDLE

001



-  LH/RH
-  RoHS
- 

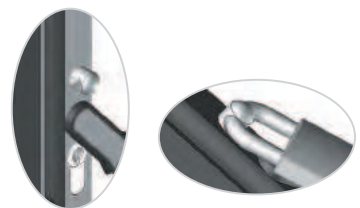
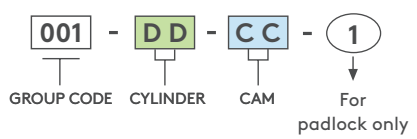


- Small version: page 12
- For steel and polyester cabinets
- 40 mm Euro Profile single-cylinder fitted
- For 42 mm Euro Profile single-cylinder contact Essentra




APPLICATIONS
Electric panels, machinery covers



MATERIAL
BODY: Polyamide DIN-EN ISO 1043-1 PA6 GFR 30
HANDLE: Polyamide DIN-EN ISO 1043-1 PA6 GFR 30
CYLINDER: Zamak DIN-EN 1774-ZnAl4Cu1
CAM: Steel
SEAL: Rubber

PRODUCT CODE



1 Padlock application

-  For cams please check pages: 146 - 147
-  For keys please check pages: 162 - 163
-  For rods please check pages: 150- 161

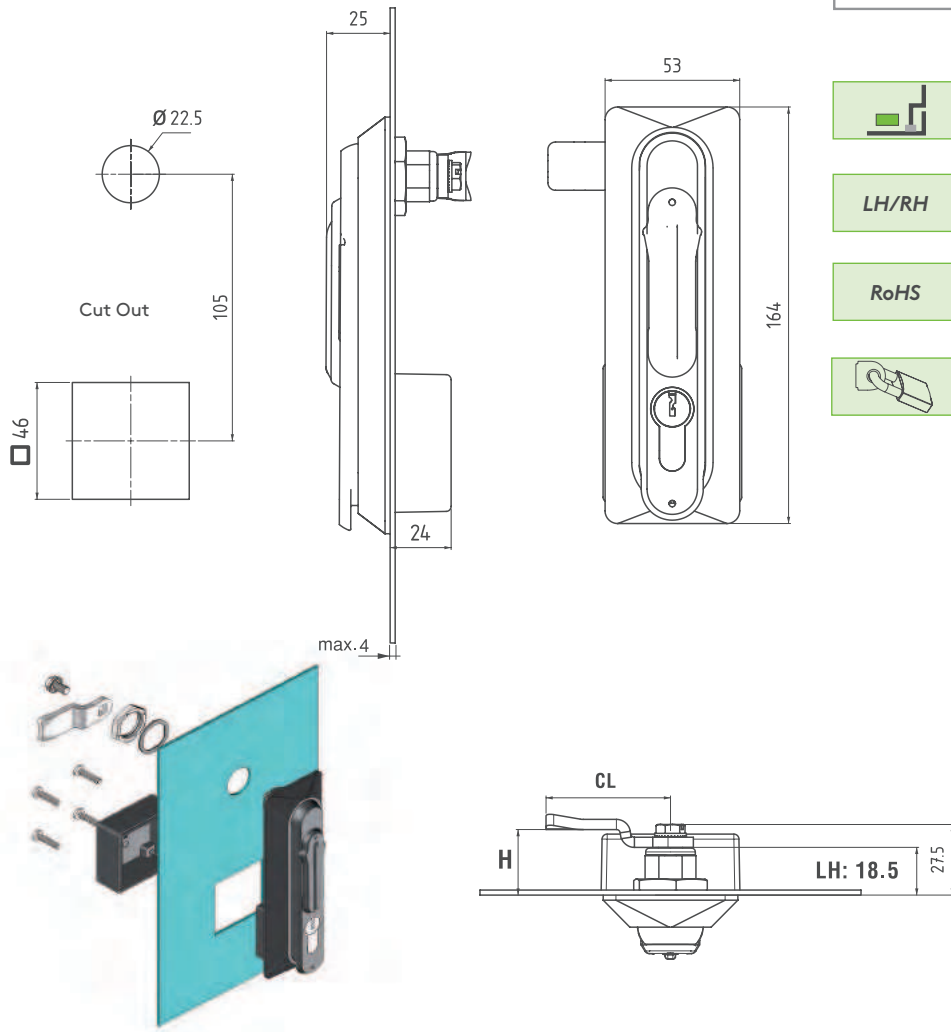
CYLINDER TYPE		DD	NO CYLINDER		DD
	Keyed alike	01		Plastic blind cylinder	24
	Keyed differ	02			
	Master system	04			
	Euro key (5333)	05			
	CH751 (Stainless steel dust cap)	07			

DRIVER TYPE				DD	HIGH-SECURITY CYLINDER				DD
5 mm Double bit	8 mm Square	9 mm Triangular	Eastern		Brass cylinder		Zamak cylinder		
									
15	28	39	91		20	21	22	23	



201

SWINGHANDLE



-
- LH/RH**
-
- RoHS**
-



- For steel and polyester cabinets
- 40 mm Euro Profile single-cylinder fitted
- For 42 mm Euro Profile single-cylinder contact Essentra

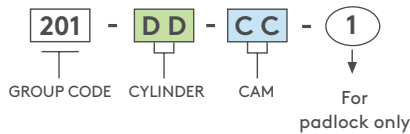
APPLICATIONS

Electric panels, machinery covers

MATERIAL

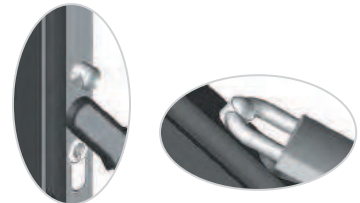
- BODY:** Polyamide DIN-EN ISO 1043-1 PA6 GFR 30
- HANDLE:** Polyamide DIN-EN ISO 1043-1 PA6 GFR 30
- DUST C.:** Zamak DIN-EN 1774-ZnAl4Cu1
- CYLINDER:** Zamak DIN-EN 1774-ZnAl4Cu1
- CAM:** Steel
- SEAL:** Rubber

PRODUCT CODE



CYLINDER TYPE		DD	NO CYLINDER		DD
	Keyed alike	01		Plastic blind cylinder	24
	Keyed differ	02			
	Master system	04			
	Euro key (5333)	05			
	CH751 (Stainless steel dust cap)	07			

DRIVER TYPE				HIGH-SECURITY CYLINDER			
5 mm Double bit	8 mm Square	9 mm Triangular	Eastern	Brass cylinder	Zamak cylinder		
15	28	39	91	Keyed alike	Keyed differ	Keyed alike	Keyed differ
				20	21	22	23



1

Padlock application

- For cams please check pages: 146 - 147
- For keys please check pages: 162 - 163
- For rods please check pages: 150- 161

SWINGHANDLE

001

SMALL VERSION

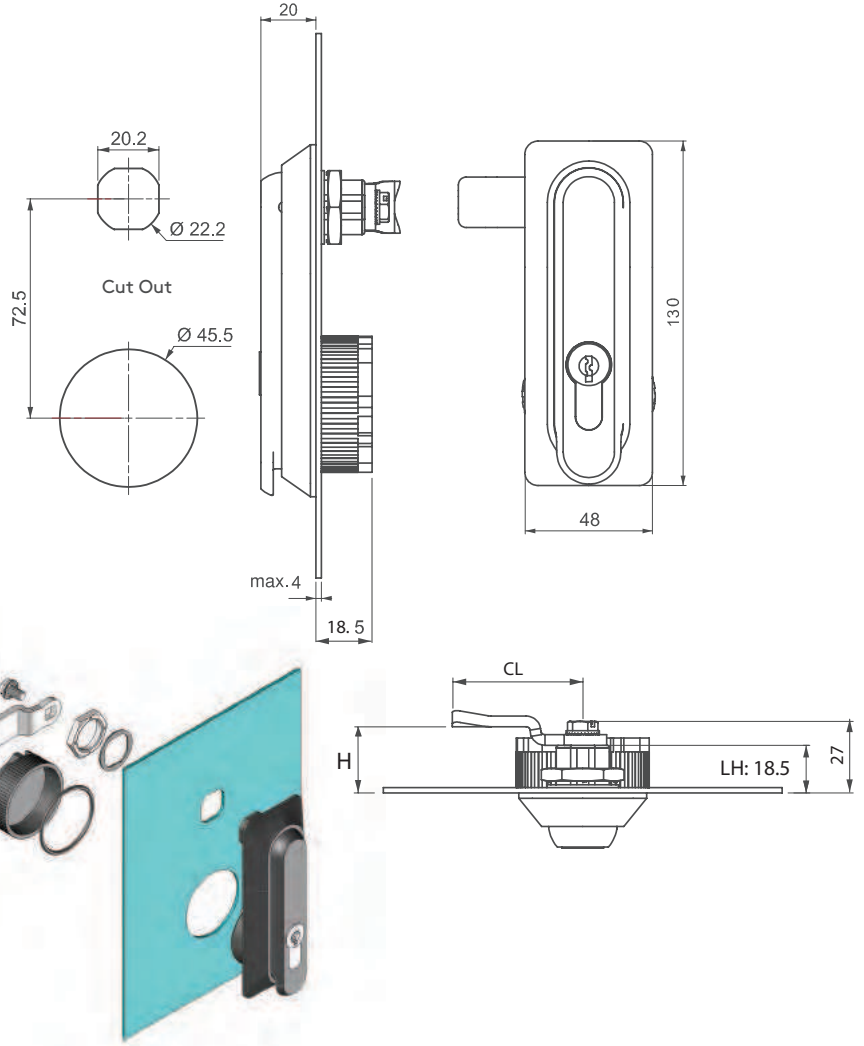


IP 65



LH/RH

RoHS



- Large version: page 16
- For steel and polyester cabinets
- 40 mm Euro Profile single-cylinder fitted

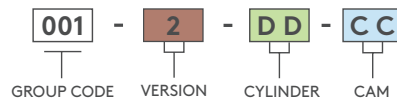
APPLICATIONS

Electric panels, machinery covers

MATERIAL

- BODY:** Polyamide DIN-EN ISO 1043-1 PA6 GFR 30
HANDLE: Polyamide DIN-EN ISO 1043-1 PA6GFR 30
CYLINDER: Zamak DIN-EN 1774-ZnAl4Cu1
CAM: Steel
SEAL: Rubber

PRODUCT CODE



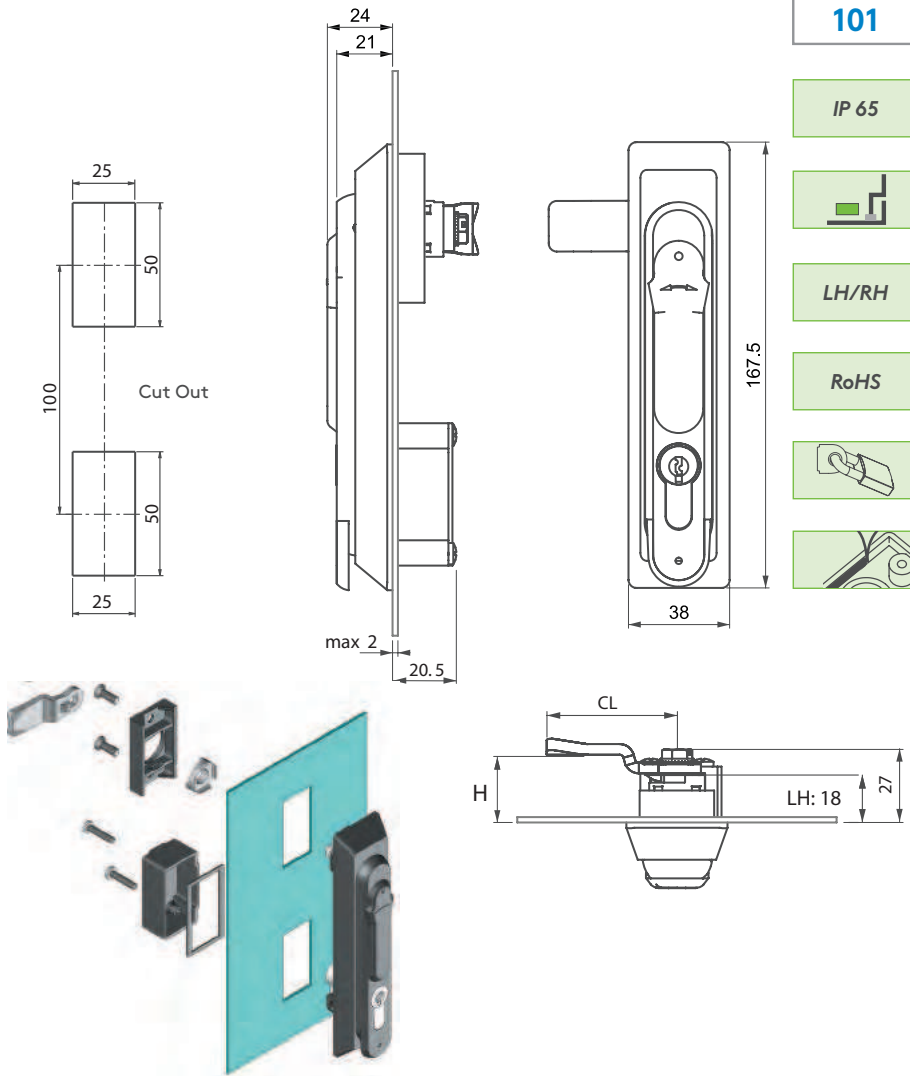
CYLINDER TYPE		DD
	Keyed alike	01
	Keyed differ	02
	Master system	04
	Euro key (5333)	05
	CH751 (Stainless steel dust cap)	07

NO CYLINDER	DD
Plastic blind cylinder	24

DRIVER TYPE			
5 mm Double bit	8 mm Square	9 mm Triangular	Eastern
15	28	39	91

HIGH-SECURITY CYLINDER			
Brass cylinder		Zamak cylinder	
Keyed alike	Keyed differ	Keyed alike	Keyed differ
20	21	22	23

- For cams please check pages: 146 - 147
- For keys please check pages: 162 - 163
- For rods please check pages: 150- 161



101

SWINGHANDLE

- IP 65
- LH/RH
- RoHS



- Swinghandle for steel and polyester cabinets
- 40 mm Euro Profile single-cylinder fitted
- Padlockable version available
- For 42 mm Euro Profile single-cylinder contact Essentra

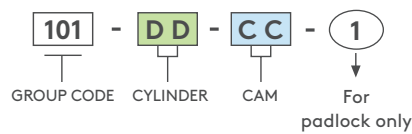
APPLICATIONS

Electric panels, machinery covers

MATERIAL

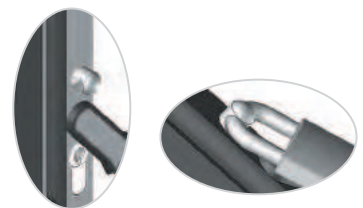
- BODY: Polyamide DIN-EN ISO 1043-1 PA6 GFR 30
- HANDLE: Polyamide DIN-EN ISO 1043-1 PA6 GFR 30
- CYLINDER: Zamak DIN-EN 1774-ZnAl4Cu1
- CAM: Steel
- SEAL: Polyurethane

PRODUCT CODE



CYLINDER TYPE		DD	NO CYLINDER		DD
	Keyed alike	01		Plastic blind cylinder	24
	Keyed differ	02			
	Master system	04			
	Euro key (5333)	05			
	CH751 (Stainless steel dust cap)	07			

DRIVER TYPE				HIGH-SECURITY CYLINDER			
5 mm Double bit	8 mm Square	9 mm Triangular	Eastern	Brass cylinder	Zamak cylinder		
15	28	39	91	Keyed alike	Keyed differ	Keyed alike	Keyed differ
				20	21	22	23



1

Padlock application

- For cams please check pages: 144 - 145
- For keys please check pages: 162 - 163
- For rods please check pages: 150- 161

SWINGHANDLES



SWINGHANDLE

501

ALL IN METAL

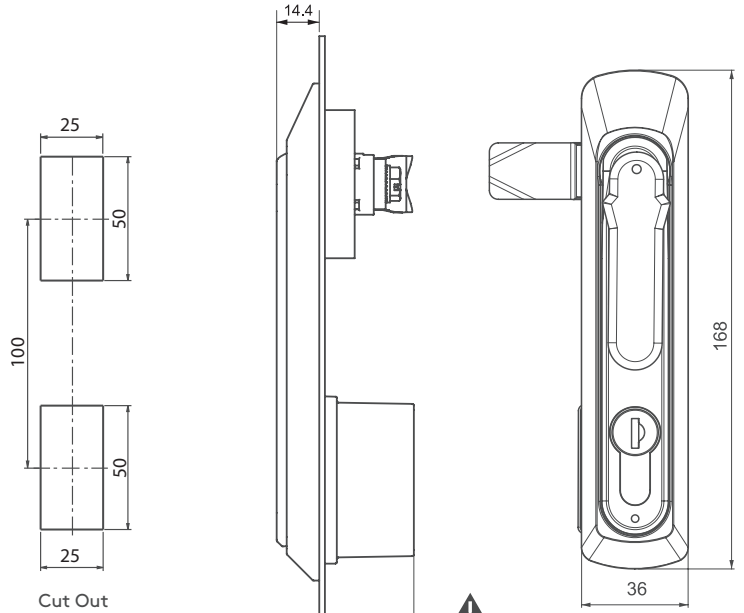
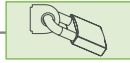
IP 65



LH/RH

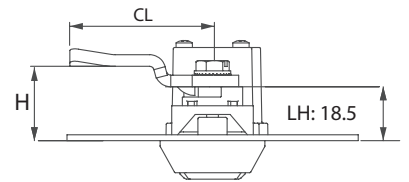


RoHS



Cut Out

25.5 : Zamak cylinder
32 : Brass cylinder



- Stainless steel version: page 423
- Die-cast construction stronger than polyamide
- Thin external profile, 14.4 mm, for flush appearance
- High-security, brass, Euro Profile single-cylinder available
- Dust cap available
- Padlockable version available
- For customised colours contact Essentra

APPLICATIONS

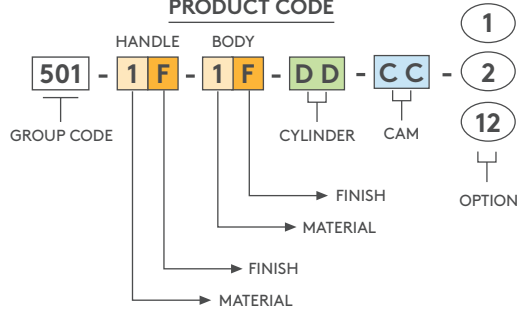
Electric panels, machinery covers

MATERIAL

BODY: Zamak DIN-EN 1774-ZnAl4Cu1
HANDLE: Zamak DIN-EN 1774-ZnAl4Cu1
CAM: Steel
SEAL: Polyurethane
Padlock HASP: Stainless steel

Note: Special espagnolette cam should be used for this application. Please check page 159.

PRODUCT CODE



MATERIAL	M	FINISH	F
Zamak	1	Chrome	1
		Black coated	2

ZAMAK CYLINDER	DD
Stainless steel dust cap (Keyed alike)	03
Stainless steel dust cap (Keyed differ)	32
CH751 (Stainless steel dust cap)	07

HIGH-SECURITY CYLINDER			
Brass cylinder		Zamak cylinder	
Keyed alike	Keyed differ	Keyed alike	Keyed differ
20	21	22	23

BRASS CYLINDER	DD
No cylinder	00
Keyed alike	11

- For cams please check pages: 144 - 145
- For rods please check pages: 150 - 161
- For keys please check pages: 162 - 163



601

SWINGHANDLE

ALL IN METAL

IP 65



LH/RH



RoHS



- All metal construction
- Swinghandle for steel and polyester cabinets
- 40 mm Euro Profile single -cylinder fitted
- Improved corrosion resistance
- High-security, brass, Euro Profile single-cylinder available

APPLICATIONS

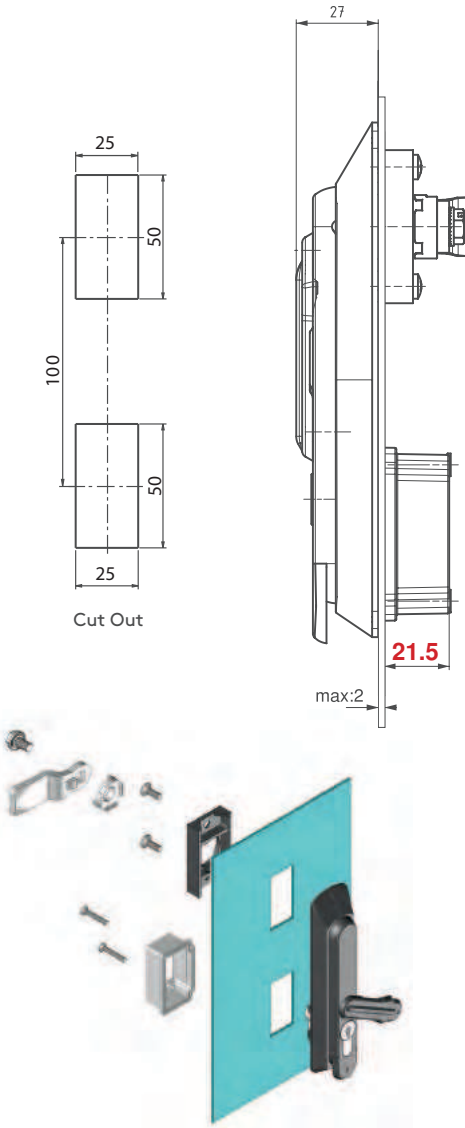
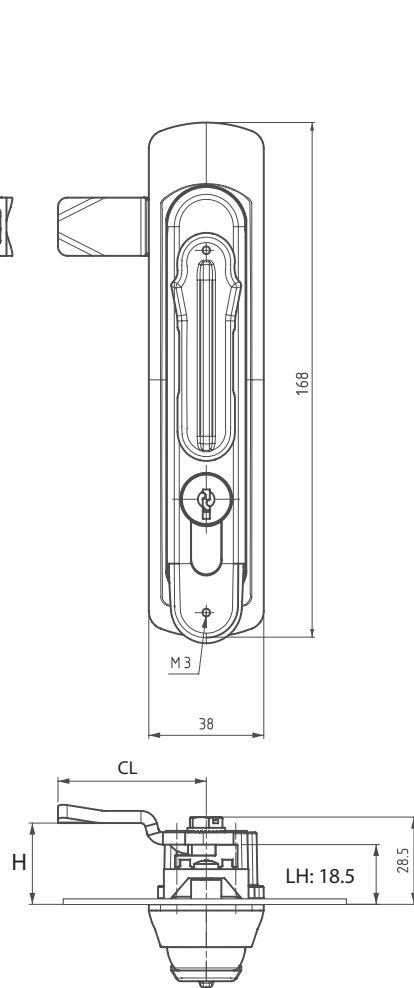
Electric panels, outdoor cabinets

MATERIAL

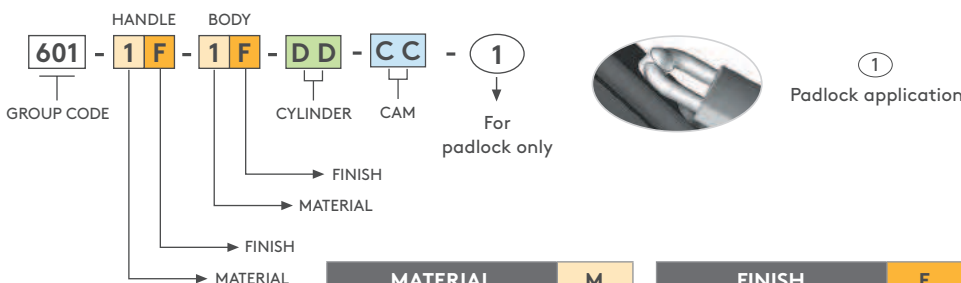
- BODY:** Zamak DIN-EN 1774-ZnAl4Cu1
- HANDLE:** Zamak DIN-EN 1774-ZnAl4Cu1
- COVER:** Zamak DIN-EN 1774-ZnAl4Cu1
- SEAL:** Polyurethane

1

Padlock application



PRODUCT CODE



MATERIAL	M
Zamak	1

FINISH	F
Chrome	1
Black coated	2

ZAMAK CYLINDER	DD
Stainless steel dust cap (Keyed alike)	03
Stainless steel dust cap (Keyed differ)	32
CH751 (Stainless steel dust cap)	07

BRASS CYLINDER	DD
No cylinder	00
Keyed alike	11

HIGH-SECURITY CYLINDER			
Brass cylinder		Zamak cylinder	
Keyed alike	Keyed differ	Keyed alike	Keyed differ
20	21	22	23

- For cams please check pages: 144 - 145
- For rods please check pages: 150- 161
- For keys please check pages: 162 - 163

SWINGHANDLE

408

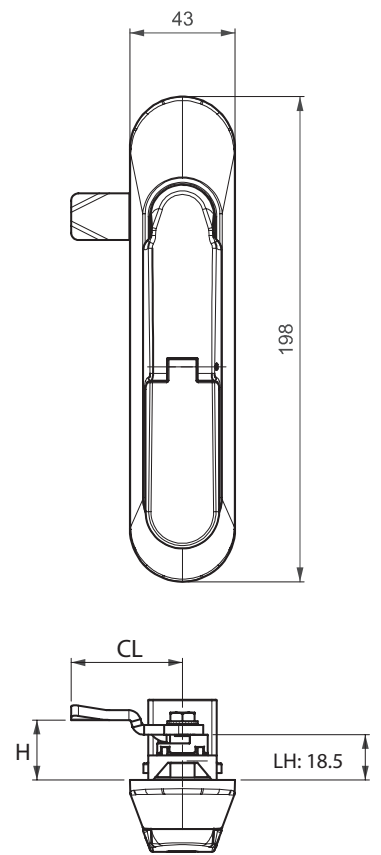
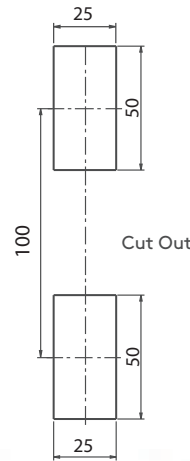
ALL IN METAL



IP 66

LH/RH

RoHS



- All metal construction
- Special geometry protects against vandalism
- Double o-ring handle improves IP rating
- High-security cylinder alternative available
- Improved IP rating with moving dust cap

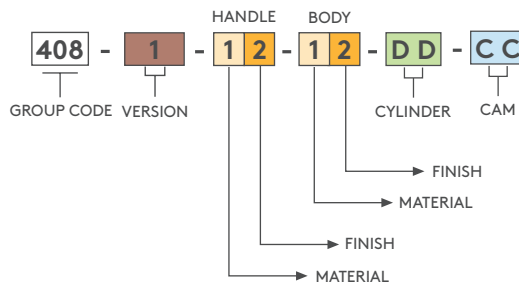
APPLICATIONS

Electric panels, outdoor cabinets

MATERIAL

BODY: Zamak DIN-EN 1774-ZnAl4Cu1
HANDLE: Zamak DIN-EN 1774-ZnAl4Cu1
CAM: Steel
SEAL: Polyurethane
COVER: Zamak DIN-EN 1774-ZnAl4Cu1

PRODUCT CODE



CYLINDER TYPE		DD
	Keyed alike	01
	Keyed differ	02
	Master system	04
	Euro key (5333)	05
	CH751 (Stainless steel dust cap)	07

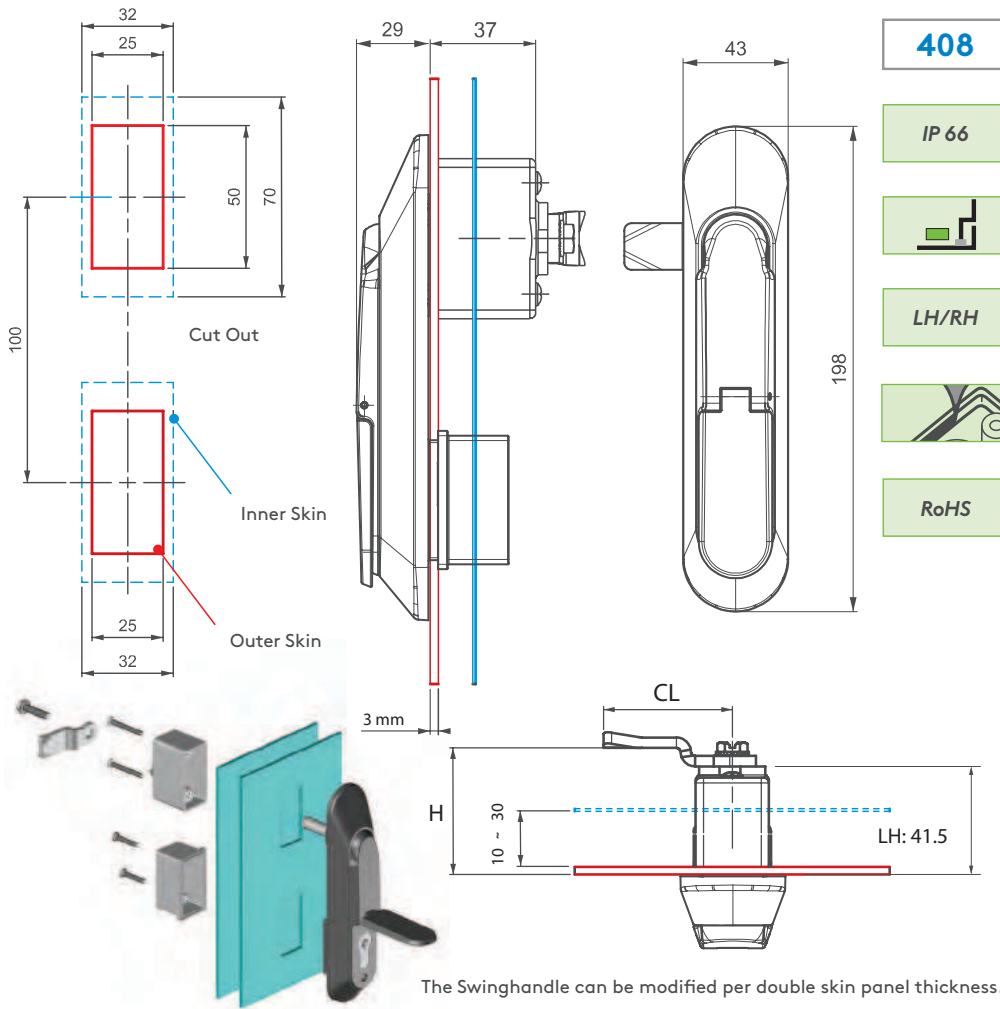
MATERIAL	M
Zamak	1

FINISH	F
Black coated	2

DRIVER TYPE			
5 mm Double bit	8 mm Square	9 mm Triangular	Eastern
15	28	39	91

HIGH-SECURITY CYLINDER	
Zamak cylinder	
Keyed alike	Keyed differ
22	23

- For cams please check pages: 144 - 145
- For rods please check pages: 150- 161
- For keys please check pages: 162 - 163



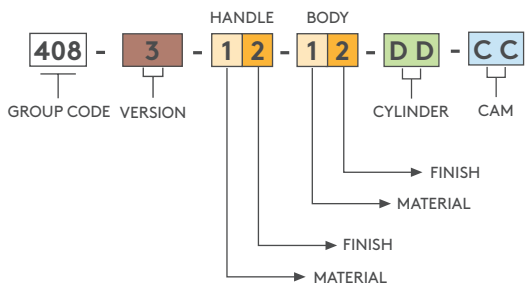
The Swinghandle can be modified per double skin panel thickness.

- 408**
- IP 66
- LH/RH
- RoHS



- All metal construction
- Special geometry for protection against vandalism
- Double o-ring handle improves IP rating
- High-security cylinder alternative
- Improves IP rating with moving dust cap

PRODUCT CODE




MATERIAL	M
Zamak	1
FINISH	F
Black coated	2



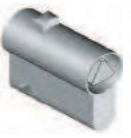

APPLICATIONS

Electric panels, Outdoor cabinets




MATERIAL

- BODY:** Zamak DIN-EN 1774-ZnAl4Cu1
- HANDLE:** Zamak DIN-EN 1774-ZnAl4Cu1
- CAM:** Steel
- SEAL:** Polyurethane
- COVER:** Zamak DIN-EN 1774-ZnAl4Cu1

CYLINDER TYPE		DD
	Keyed alike	01
	Keyed differ	02
	Master System	04
	Euro Key (5333)	05
	CH751 (Stainless steel dust cap)	07

DRIVER TYPE			
5 mm Double bit	8 mm Square	9 mm Triangular	Eastern
			
15	28	39	91

HIGH SECURITY CYLINDER	
Zamak cylinder	
	
Keyed alike	Keyed differ
22	23

-  For cams please check pages: 144 - 145
-  For rods please check pages: 150- 161
-  For keys please check pages: 162 - 163

SWINGHANDLE

105

ALL IN METAL

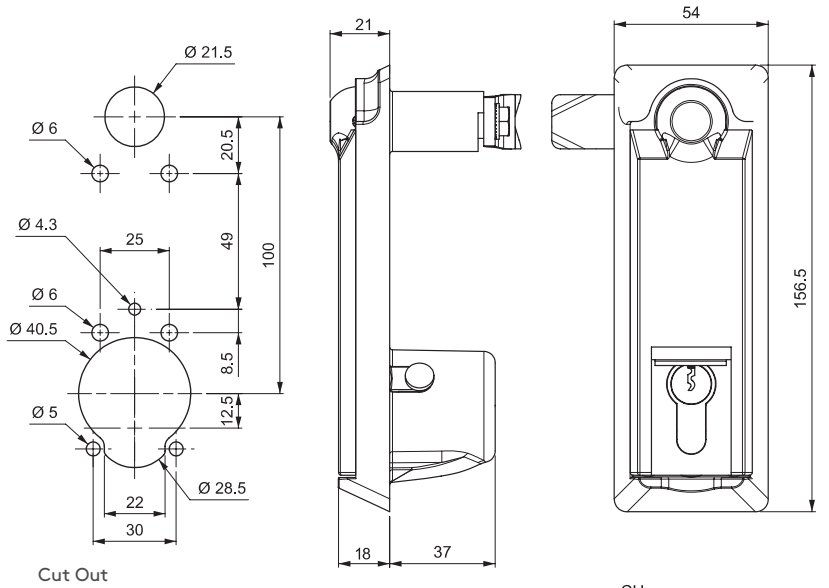


IP 65

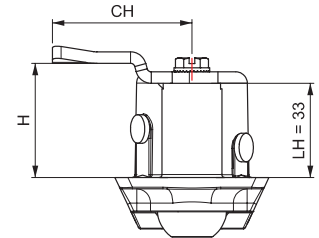
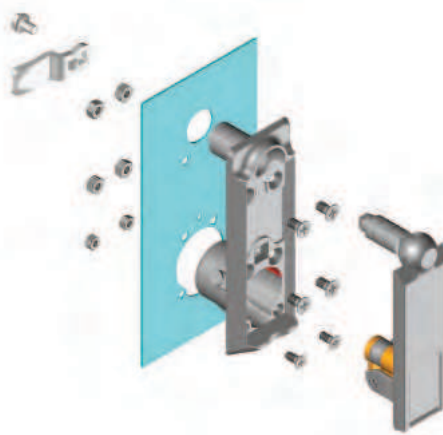


LH/RH

RoHS



Cut Out



- All metal construction
- Improved corrosion resistance
- Double o-ring used for handle provides improved IP rating
- High security cylinder alternative
- Better IP rating with moving dust cap

APPLICATIONS

Outdoor cabinets

MATERIAL

BODY: Zamak DIN-EN 774-ZnAl4Cu13

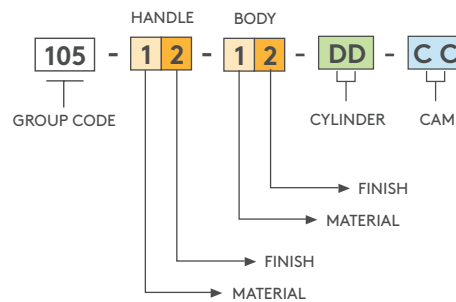
HANDLE: Zamak DIN-EN 1774-ZnAl4Cu1


CAM: Stainless Steel

SEAL: Polyurethane

DUST CAP: Stainless Steel

PRODUCT CODE



BRASS CYLINDER		DD
	No Cylinder	00
	Keyed Alike	11

For cams please check pages: 144 - 145

For rods please check pages: 150 - 161