



Chipsmall Limited consists of a professional team with an average of over 10 year of expertise in the distribution of electronic components. Based in Hongkong, we have already established firm and mutual-benefit business relationships with customers from,Europe,America and south Asia,supplying obsolete and hard-to-find components to meet their specific needs.

With the principle of “Quality Parts,Customers Priority,Honest Operation,and Considerate Service”,our business mainly focus on the distribution of electronic components. Line cards we deal with include Microchip,ALPS,ROHM,Xilinx,Pulse,ON,Everlight and Freescale. Main products comprise IC,Modules,Potentiometer,IC Socket,Relay,Connector.Our parts cover such applications as commercial,industrial, and automotives areas.

We are looking forward to setting up business relationship with you and hope to provide you with the best service and solution. Let us make a better world for our industry!



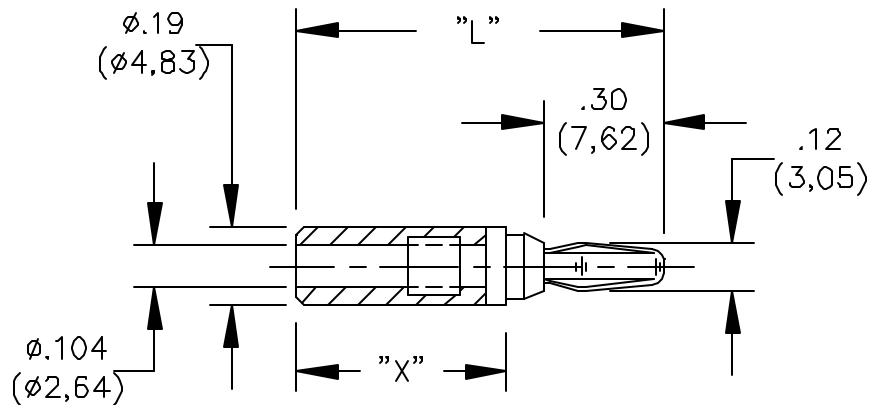
Contact us

Tel: +86-755-8981 8866 Fax: +86-755-8427 6832

Email & Skype: info@chipsmall.com Web: www.chipsmall.com

Address: A1208, Overseas Decoration Building, #122 Zhenhua RD., Futian, Shenzhen, China





Model 3690 "X" = (11,43mm) 0.45"
"L" = (22,61mm) 0.89"
Model 4617 "X" = (25,40mm) 1.00"
"L" = (36,32mm) 1.43"

FEATURES:

- Supports 20 to 22 AWG wires.
- Allows creation of custom patch cord lengths.
- Insulator unthreads to allow easy Do-It-Yourself wire soldering.
- Banana plug body & spring are gold plated for corrosion resistance and optimum electrical connection between plug and jack.
- Banana plug spring is Beryllium Copper for superior spring shape retention to ensure long insertion life.

MATERIALS:

Insulator Cap: Nylon, Color per part number

Miniature Banana Plug: Body – Brass, Gold Plated

Spring – Beryllium Copper, Gold Plated

RATINGS:

Operating Voltage: 2500 VDC

Operating Temperature: +80°C (+176°F)

Current: 5 Amperes Max.

ORDERING INFORMATION: Models 3690-* & 4617-*

* = Color, -0 Black, -2 Red

All dimensions are in inches and metric. All specifications are to the latest revisions. Specifications are subject to change without notice.
Registered trademarks are the property of their respective companies. Made in USA

Sales: 800-490-2361 Fax: 888-403-3360
Technical Assistance: 800-241-2060

PomonaACCESS 90324 (800) 444-6785 or (425) 446-6010
More drawings available at www.pomonaelectronics.com