



Chipsmall Limited consists of a professional team with an average of over 10 year of expertise in the distribution of electronic components. Based in Hongkong, we have already established firm and mutual-benefit business relationships with customers from,Europe,America and south Asia,supplying obsolete and hard-to-find components to meet their specific needs.

With the principle of “Quality Parts,Customers Priority,Honest Operation,and Considerate Service”,our business mainly focus on the distribution of electronic components. Line cards we deal with include Microchip,ALPS,ROHM,Xilinx,Pulse,ON,Everlight and Freescale. Main products comprise IC,Modules,Potentiometer,IC Socket,Relay,Connector.Our parts cover such applications as commercial,industrial, and automotives areas.

We are looking forward to setting up business relationship with you and hope to provide you with the best service and solution. Let us make a better world for our industry!



Contact us

Tel: +86-755-8981 8866 Fax: +86-755-8427 6832

Email & Skype: info@chipsmall.com Web: www.chipsmall.com

Address: A1208, Overseas Decoration Building, #122 Zhenhua RD., Futian, Shenzhen, China



Pressfit Indicator Lights for 5/16" Dia. Mounting Hole

36 SERIES

- PRESSFIT NEON, LED & INCANDESCENT INDICATOR LIGHTS
- 5/16" DIA. MOUNTING HOLE • WHITE NYLON HOUSING
- FLUSH & HI-HAT LENSES • ALUMINUM BEZEL • 6" WIRE LEADS
- SPEED NUT PROVIDED • 2 TO 250 DESIGN VOLTS • VARIOUS LENS COLORS
- UL LISTED • UL FILE E20356

Overview

The 36 Series indicator lights feature a wide variety of lens colors, voltage options and bezel variations. Indicators are designed to front mount into a 5/16" (7.93mm) mounting hole with a recommended panel thickness of 0.020" minimum. A speed nut, part number **8700091688**, is supplied.

Specifications

Housing: white nylon. A black housing is available.

Lens: polycarbonate.

Bezel: aluminum. A black anodized bezel is available.

Incandescent AC or DC voltage options: 6, 14 and 28 volts.

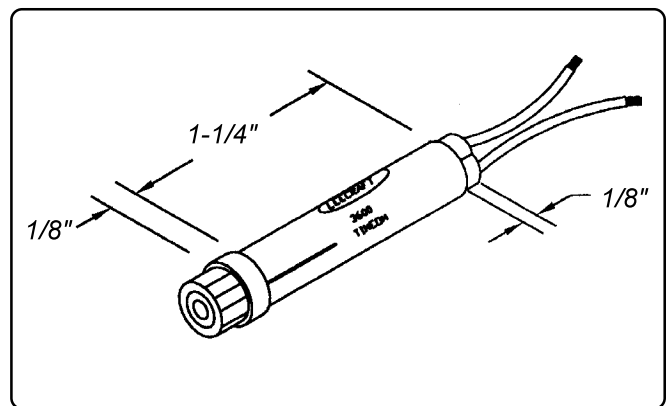
Neon AC or DC voltage options: 125 and 250 volts.
Note: high brightness green and blue neon lamps supplied in green and blue neon applications.

LED DC voltage options: 2, 6, 12, 24 volts.

LED AC voltage options: 125 volts.

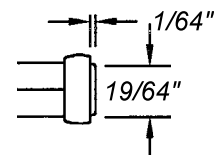
Note: 125 volts AC units contain a bi-polar LED.

Two 6" wire leads: #20 AWG, black, bare copper, PVC insulated, UL/CSA rated 105°C, 600 V, UL style 1015, stripped 1/2". For DC LED units, wire leads are color-coded red and black; the red wire lead denotes the anode (+) while a black wire lead identifies the cathode (-). For AC LED units, wire leads are white. Custom wire lengths, stripping, termination and wire types are available.



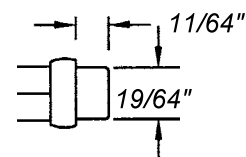
Flush Lens Style

With bezel



Hi-Hat Lens Style

With bezel



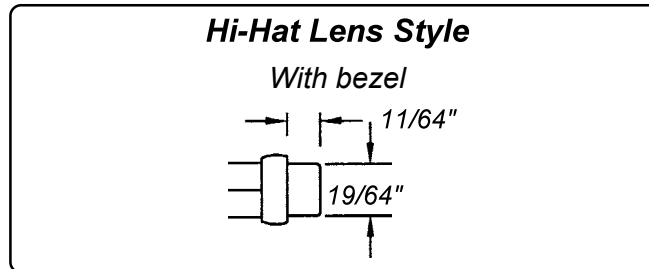
Can't find it here? We have many more standard and custom solutions

For further information, phone Customer Service at 800.522.5546.

Pressfit Indicator Lights for 5/16" Dia. Mounting Hole

36 SERIES

Aluminum Bezel
5/16" Mounting Hole
6 to 250 Design Volts
Neon or
Incandescent



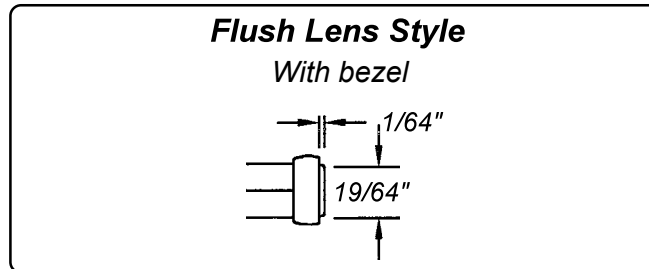
6" Wire Leads
Hi-Hat Lens
White Housing
Speed Nut
Variety of
Lens Colors
PressFit

Part Numbers With Aluminum Bezel	Lens Color	Lamp Type	Design Volts	Design Watts or Amps	Life (hrs)
36EN-2111	Red	Neon	125	1/3W	25,000
36HEN-2111	Red	Neon	250	1/3W	25,000
36ENG1-2111	Red	Incandescent	6	.20A	5,000
36ENG3-2111	Red	Incandescent	14	.10A	10,000
36ENG18-2111	Red	Incandescent	28	.04A	7,000
36EN-2112	Green	Neon	125	1/3W	25,000
36HEN-2112	Green	Neon	250	1/3W	25,000
36ENG1-2112	Green	Incandescent	6	.20A	5,000
36ENG3-2112	Green	Incandescent	14	.10A	10,000
36ENG18-2112	Green	Incandescent	28	.04A	7,000
36EN-2113	Amber	Neon	125	1/3W	25,000
36HEN-2113	Amber	Neon	250	1/3W	25,000
36ENG1-2113	Amber	Incandescent	6	.20A	5,000
36ENG3-2113	Amber	Incandescent	14	.10A	10,000
36ENG18-2113	Amber	Incandescent	28	.04A	7,000
36EN-2114	Blue	Neon	125	1/3W	25,000
36HEN-2114	Blue	Neon	250	1/3W	25,000
36ENG1-2114	Blue	Incandescent	6	.20A	5,000
36ENG3-2114	Blue	Incandescent	14	.10A	10,000
36ENG18-2114	Blue	Incandescent	28	.04A	7,000
36EN-2115	White	Neon	125	1/3W	25,000
36HEN-2115	White	Neon	250	1/3W	25,000
36ENG1-2115	White	Incandescent	6	.20A	5,000
36ENG3-2115	White	Incandescent	14	.10A	10,000
36ENG18-2115	White	Incandescent	28	.04A	7,000
36EN-2117	Clear	Neon	125	1/3W	25,000
36HEN-2117	Clear	Neon	250	1/3W	25,000
36ENG1-2117	Clear	Incandescent	6	.20A	5,000
36ENG3-2117	Clear	Incandescent	14	.10A	10,000
36ENG18-2117	Clear	Incandescent	28	.04A	7,000

Pressfit Indicator Lights for 5/16" Dia. Mounting Hole

36 SERIES

Aluminum Bezel
5/16" Mounting Hole
6 to 250 Design Volts
Neon or
Incandescent

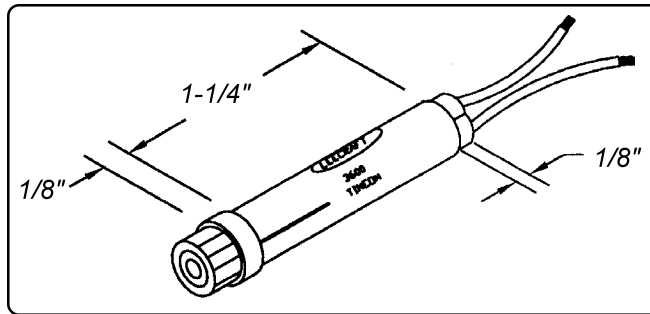


6" Wire Leads
Flush Lens
White Housing
Speed Nut
Variety of
Lens Colors
PressFit

Part Numbers With Aluminum Bezel	Lens Color	Lamp Type	Design Volts	Design Watts or Amps	Life (hrs)
36EN-2311	Red	Neon	125	1/3W	25,000
36HEN-2311	Red	Neon	250	1/3W	25,000
36ENG1-2311	Red	Incandescent	6	.20A	5,000
36ENG3-2311	Red	Incandescent	14	.10A	10,000
36ENG18-2311	Red	Incandescent	28	.04A	7,000
36EN-2312	Green	Neon	125	1/3W	25,000
36HEN-2312	Green	Neon	250	1/3W	25,000
36ENG1-2312	Green	Incandescent	6	.20A	5,000
36ENG3-2312	Green	Incandescent	14	.10A	10,000
36ENG18-2312	Green	Incandescent	28	.04A	7,000
36EN-2313	Amber	Neon	125	1/3W	25,000
36HEN-2313	Amber	Neon	250	1/3W	25,000
36ENG1-2313	Amber	Incandescent	6	.20A	5,000
36ENG3-2313	Amber	Incandescent	14	.10A	10,000
36ENG18-2313	Amber	Incandescent	28	.04A	7,000
36EN-2314	Blue	Neon	125	1/3W	25,000
36HEN-2314	Blue	Neon	250	1/3W	25,000
36ENG1-2314	Blue	Incandescent	6	.20A	5,000
36ENG3-2314	Blue	Incandescent	14	.10A	10,000
36ENG18-2314	Blue	Incandescent	28	.04A	7,000
36EN-2315	White	Neon	125	1/3W	25,000
36HEN-2315	White	Neon	250	1/3W	25,000
36ENG1-2315	White	Incandescent	6	.20A	5,000
36ENG3-2315	White	Incandescent	14	.10A	10,000
36ENG18-2315	White	Incandescent	28	.04A	7,000
36EN-2317	Clear	Neon	125	1/3W	25,000
36HEN-2317	Clear	Neon	250	1/3W	25,000
36ENG1-2317	Clear	Incandescent	6	.20A	5,000
36ENG3-2317	Clear	Incandescent	14	.10A	10,000
36ENG18-2317	Clear	Incandescent	28	.04A	7,000

Pressfit Indicator Lights for 5/16" Dia. Mounting Hole

L36 SERIES
LED Indicator Lights
Aluminum Bezel
2 to 125 Design Volts
Speed Nut



6" Wire Leads
Hi-Hat Lens or
Flush Lens
White Housing
Variety of
Lens Colors

Part Number With Hi-Hat Lens & Aluminum Bezel	Part Number With Flush Lens & Aluminum Bezel	Lens Color	DC Design Volts * AC Design Volts
L36EN-A2-2113	L36EN-A2-2313	Amber	2
L36EN-A6-2113	L36EN-A6-2313	Amber	6
L36EN-A12-2113	L36EN-A12-2313	Amber	12
L36EN-A24-2113	L36EN-A24-2313	Amber	24
L36EN-A125-2113	L36EN-A125-2313	Amber	125 *
L36EN-G2-2112	L36EN-G2-2312	Green	2
L36EN-G6-2112	L36EN-G6-2312	Green	6
L36EN-G12-2112	L36EN-G12-2312	Green	12
L36EN-G24-2112	L36EN-G24-2312	Green	24
L36EN-G125-2112	L36EN-G125-2312	Green	125 *
L36EN-R2-2111	L36EN-R2-2311	Red	2
L36EN-R6-2111	L36EN-R6-2311	Red	6
L36EN-R12-2111	L36EN-R12-2311	Red	12
L36EN-R24-2111	L36EN-R24-2311	Red	24
L36EN-R125-2111	L36EN-R125-2311	Red	125 *
L36EN-Y2-2116	L36EN-Y2-2316	Yellow	2
L36EN-Y6-2116	L36EN-Y6-2316	Yellow	6
L36EN-Y12-2116	L36EN-Y12-2316	Yellow	12
L36EN-Y24-2116	L36EN-Y24-2316	Yellow	24
L36EN-Y125-2116	L36EN-Y125-2316	Yellow	125 *

Polarity Determination - Wire Leads: Red wire lead denotes anode (+); black wire lead denotes cathode (-).

