



Chipsmall Limited consists of a professional team with an average of over 10 year of expertise in the distribution of electronic components. Based in Hongkong, we have already established firm and mutual-benefit business relationships with customers from,Europe,America and south Asia,supplying obsolete and hard-to-find components to meet their specific needs.

With the principle of “Quality Parts,Customers Priority,Honest Operation,and Considerate Service”,our business mainly focus on the distribution of electronic components. Line cards we deal with include Microchip,ALPS,ROHM,Xilinx,Pulse,ON,Everlight and Freescale. Main products comprise IC,Modules,Potentiometer,IC Socket,Relay,Connector.Our parts cover such applications as commercial,industrial, and automotives areas.

We are looking forward to setting up business relationship with you and hope to provide you with the best service and solution. Let us make a better world for our industry!



Contact us

Tel: +86-755-8981 8866 Fax: +86-755-8427 6832

Email & Skype: info@chipsmall.com Web: www.chipsmall.com

Address: A1208, Overseas Decoration Building, #122 Zhenhua RD., Futian, Shenzhen, China



High Frequency Ceramic Solutions

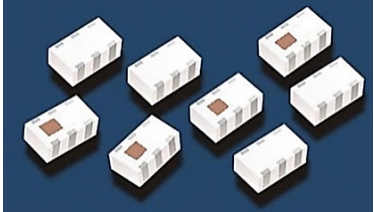
3700MHz (3.4-4GHz) 1:1 RF Balun EIA 0805, 6-Pin

P/N 3700BL15C0050

Detail Specification: 4/7/2016

Page 1 of 3

General Specifications

Part Number	3700BL15C0050				
Frequency (MHz)	3400 ~ 4000				
Unbalanced Impedance	50 Ω				
Differential Balanced Imp.	50 Ω				
Insertion Loss	1.2 dB max.				
Return Loss	9.5 dB min.				
Phase Difference (degree)	180 ± 25				
Amplitude Difference	2 dB max.			Operating Temperature	-40 to +85°C
Impedance	50 / 50 Ω			Recommended Storage Conditions of unused product on T&R	+5 to +35°C, 18 mos. max. Humidity 45~75% RH
Power Capacity	1W max. (CW)				
Reel Quantity	4,000 pcs				

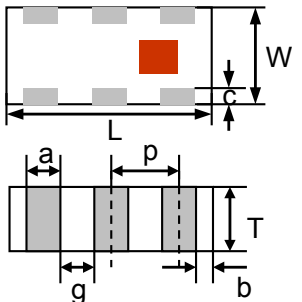
You can download measured s-parameters of this component at: <http://www.johansontechnology.com/rfbaluns>

Part Number Explanation

P/N Suffix	Packing Style	Bulk	Suffix = S	Eg. 3700BL15C0050S
		T & R	Suffix = E	Eg. 3700BL15C0050E
	Termination style	100% Tin	Suffix = None	Eg. 3700BL15C0050 (E or S)
	Evaluation Board	3700BL15C0050-EB3SMA (3 female SMA connectors)		

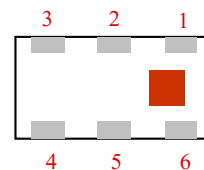
Mechanical Dimensions

	In	mm
L	0.079 ± 0.004	2.00 ± 0.10
W	0.049 ± 0.004	1.25 ± 0.10
T	0.033 ± 0.004	0.85 ± 0.10
a	0.012 ± 0.004	0.30 ± 0.10
b	0.008 ± 0.004	0.20 ± 0.10
c	0.012 +0.004/0.008	0.30 +0.1/-0.2
g	0.014 ± 0.004	0.35 ± 0.10
p	0.026 ± 0.002	0.65 ± 0.05



Terminal Configuration

1	Unbalanced Port	4	Balanced Port
2	GND or DC Feed	5	GND
3	Balanced Port	6	NC



Johanson Technology, Inc. reserves the right to make design changes without notice.
All sales are subject to Johanson Technology, Inc. terms and conditions.



www.johansontechnology.com

4001 Calle Tecate • Camarillo, CA 93012, USA • TEL +1.805.389.1166

Ver 1.0

2014 Johanson Technology, Inc. All Rights Reserved

High Frequency Ceramic Solutions

3700MHz (3.4-4GHz) 1:1 RF Balun EIA 0805, 6-Pin

P/N 3700BL15C0050

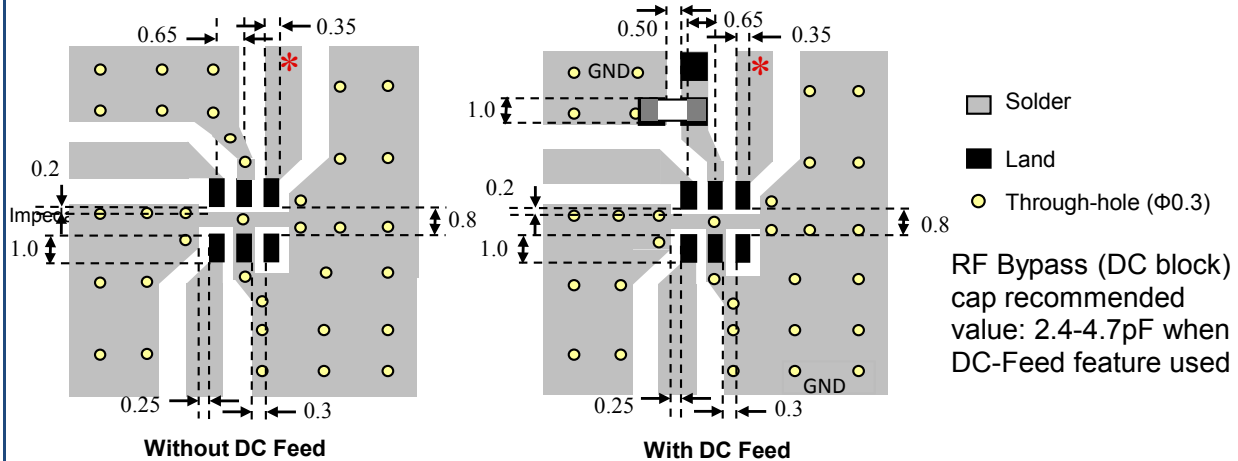
Detail Specification: 4/7/2016

Page 2 of 3

Mounting Considerations

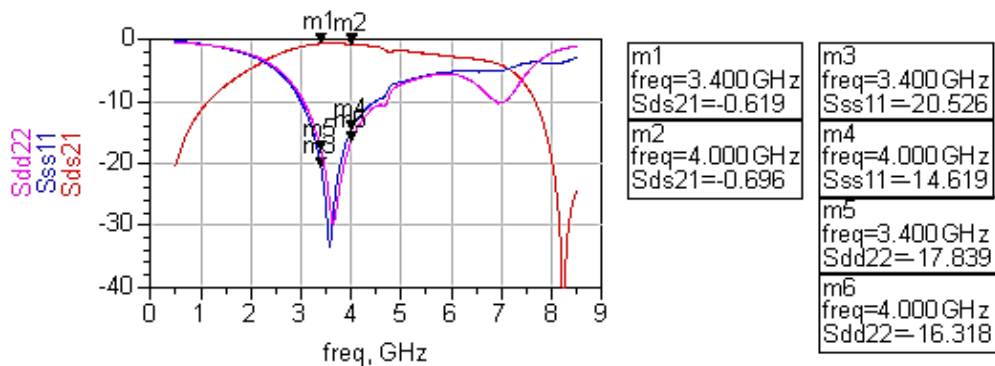
Mount these devices with colored mark facing up.

* Line width should be designed to provide 50ohm impedance matching characteristics.



Need our help laying this out for you? Need the layout file? Send us a message at: www.johansontechnology.com/component/techquestion

Typical Electrical Characteristics (T=25°C)



(Sds21) Insertion Loss / (Sss11) Return Loss SE / (Sdd22) Return Loss Differential

Johanson Technology, Inc. reserves the right to make design changes without notice.

All sales are subject to Johanson Technology, Inc. terms and conditions.



www.johansontechnology.com

4001 Calle Tecate • Camarillo, CA 93012, USA • TEL +1.805.389.1166

Ver 1.0

2014 Johanson Technology, Inc. All Rights Reserved

High Frequency Ceramic Solutions

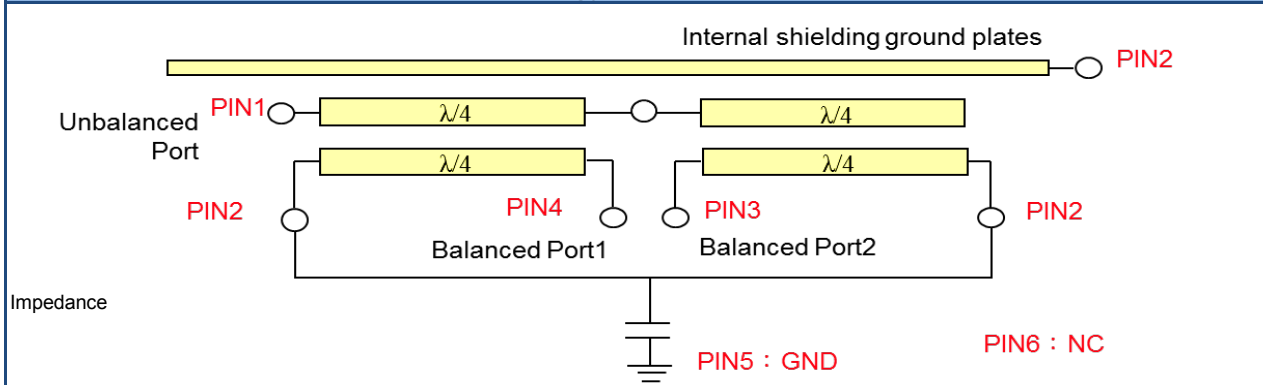
3700MHz (3.4-4GHz) 1:1 RF Balun EIA 0805, 6-Pin

P/N 3700BL15C0050

Detail Specification: 4/7/2016

Page 3 of 3

Internal Representative Schematic/Topology



More Filter-Balun info at:

<http://www.johansontechnology.com/rfbaluns>

Packaging information

www.johansontechnology.com/ipcpackaging.html

Soldering Information

www.johansontechnology.com/ipcsoldering-profile

MSL Info

www.johansontechnology.com/technical-notes/msl-rating.html

Recommended Storage Condition and Max Shelf Life

www.johansontechnology.com/ipcstorage-shelflife

RoHS Compliance

www.johansontechnology.com/technical-notes/rohs-compliance.html

Layout review services

<http://www.johansontechnology.com/component/techquestion>

Antenna layout review, tuning, and characterization services

www.johansontechnology.com/ipcantennaservices

Johanson Technology, Inc. reserves the right to make design changes without notice.

All sales are subject to Johanson Technology, Inc. terms and conditions.



www.johansontechnology.com

4001 Calle Tecate • Camarillo, CA 93012, USA • TEL +1.805.389.1166

Ver 1.0

2014 Johanson Technology, Inc. All Rights Reserved