



Chipsmall Limited consists of a professional team with an average of over 10 year of expertise in the distribution of electronic components. Based in Hongkong, we have already established firm and mutual-benefit business relationships with customers from,Europe,America and south Asia,supplying obsolete and hard-to-find components to meet their specific needs.

With the principle of “Quality Parts,Customers Priority,Honest Operation,and Considerate Service”,our business mainly focus on the distribution of electronic components. Line cards we deal with include Microchip,ALPS,ROHM,Xilinx,Pulse,ON,Everlight and Freescale. Main products comprise IC,Modules,Potentiometer,IC Socket,Relay,Connector.Our parts cover such applications as commercial,industrial, and automotives areas.

We are looking forward to setting up business relationship with you and hope to provide you with the best service and solution. Let us make a better world for our industry!



## Contact us

Tel: +86-755-8981 8866 Fax: +86-755-8427 6832

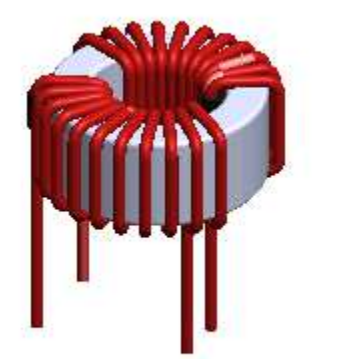
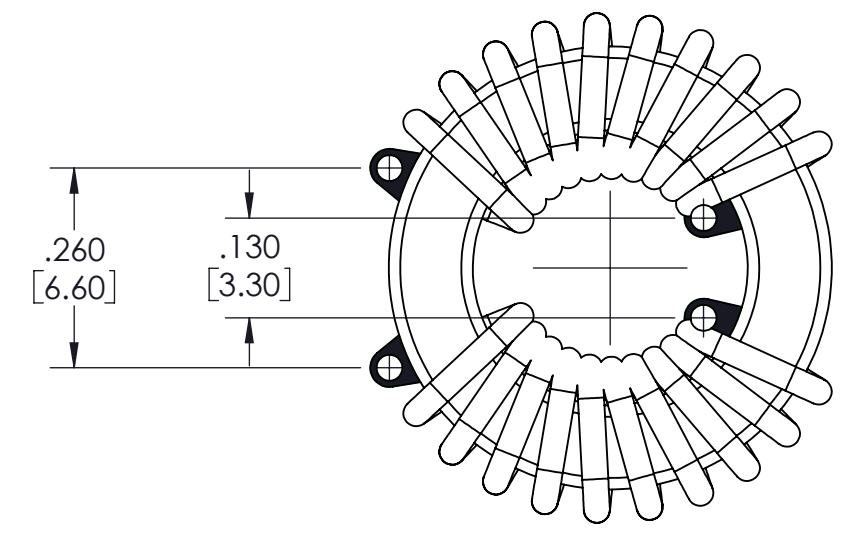
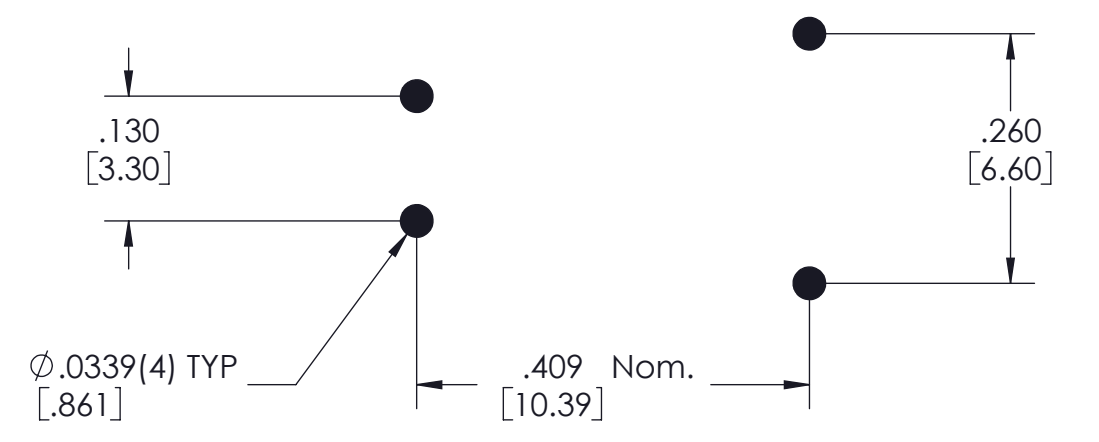
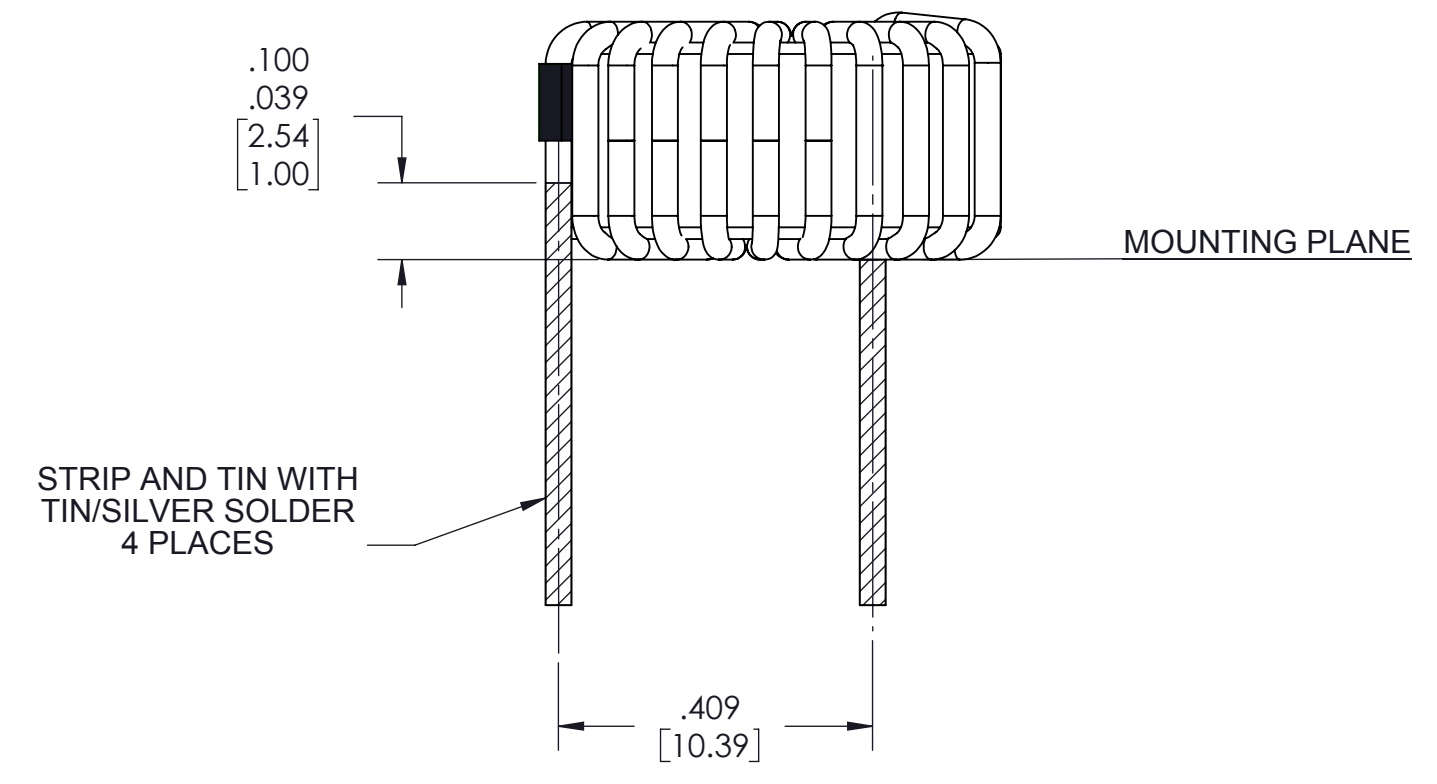
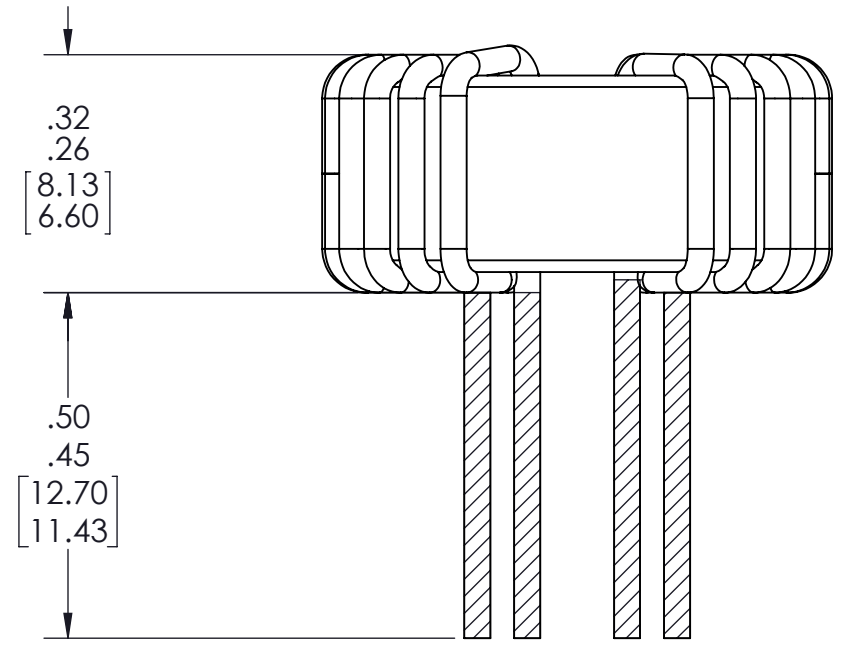
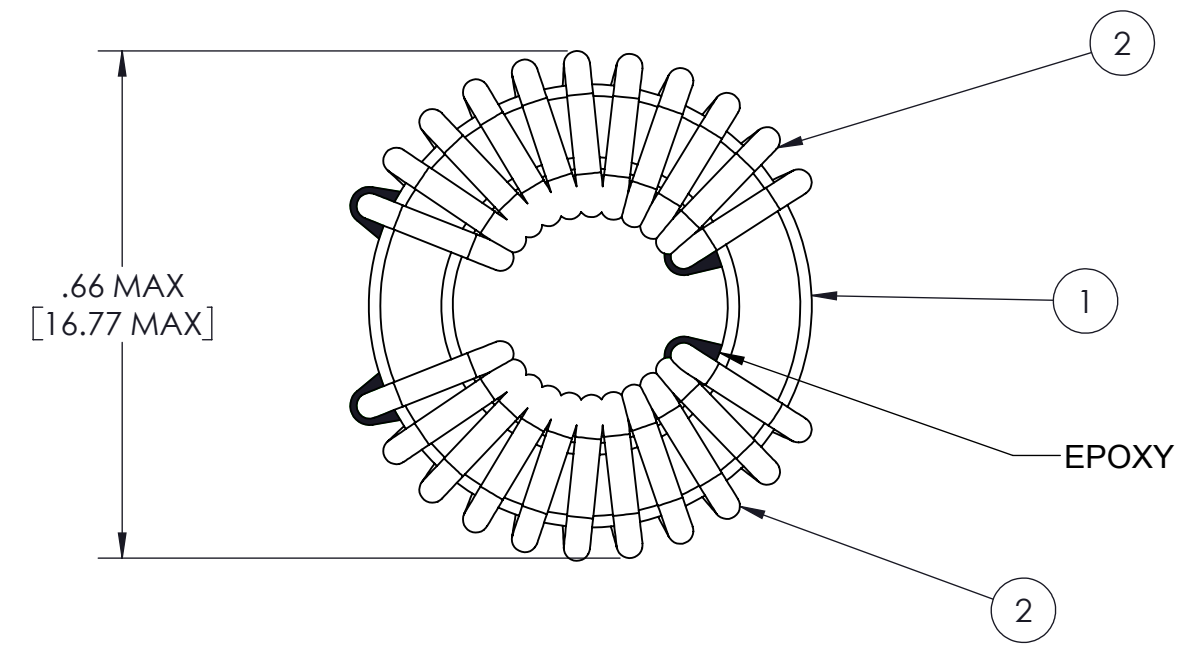
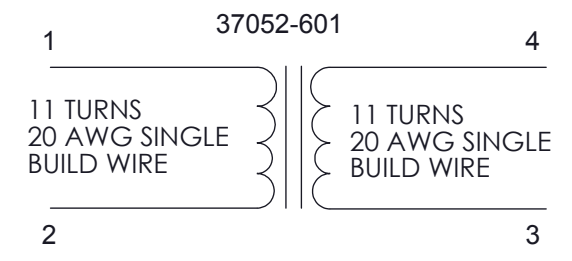
Email & Skype: info@chipsmall.com Web: www.chipsmall.com

Address: A1208, Overseas Decoration Building, #122 Zhenhua RD., Futian, Shenzhen, China



VICOR CONFIDENTIAL  
 THIS DOCUMENT AND THE DATA DISCLOSED HEREIN OR  
 HEREWITH IS NOT TO BE REPRODUCED, USED OR  
 DISCLOSED IN WHOLE OR IN PART TO ANYONE WITHOUT  
 THE PERMISSION OF VICOR CORP.

REV.	DESCRIPTION	DATE	APPROVED
1	RELEASED PER E110692	ZMB 07/07/11	NZ
2	REVISED PER E111132	KUK 11/16/11	MH
3	REVISED PER E111265	KUK 12/20/11	SG
4	REVISED PER E120225a	KUK 03/16/12	MH
5	REVISED PER E131784a	REJH 12/20/13	MH
6	REVISED PER E140404	REW 03/24/2014	MH



- NOTES:
- CORE: VICOR P/N 37081.
  - MAGNET WIRE: NEMA MW28C SINGLE BUILD.
  - ASSEMBLY TO BE FREE OF NICKS.
  - RoHS COMPLIANT, LEAD FREE PER CST-0001 LATEST REVISION.

Vicor P/N	ITEM NO.	WINDING	# OF TURNS	AWG	IND. µH PER WINDING @10KHz	RATED I	DC RES. MAX	TEST CONDITION
37052-601	3	1 PRIMARY	11	20	318µH MIN 455µH NOM 592µH MAX	10A	7.9 mR	VAC= 100mV RMS f= 10 KHz
	2	1 SECONDARY	11	20		10A	7.9mR	f= 10KHz

DRAWN BY Anuyugh Ragipani	DATE 10/12/2010	<b>VICOR</b> SWD	
UNLESS OTHERWISE SPECIFIED DIMENSIONS ARE : INCH / (MM)		<b>IND COM MODE 600uH 30% 10A</b>	
TOLERANCES ARE: DECIMALS ANGLES X.XX [X.X] = ±0.01 [0.25] ±1° X.XXX [X.XX] = ±0.005 [0.127]		SIZE <b>C</b>	CAGE CODE <b>67131</b>
THIRD ANGLE PROJECTION 		DWG NO <b>37052-XXX</b>	REV <b>6</b>
DO NOT SCALE DRAWING		SCALE 5:1	SHEET 1 OF 1