



Chipsmall Limited consists of a professional team with an average of over 10 year of expertise in the distribution of electronic components. Based in Hongkong, we have already established firm and mutual-benefit business relationships with customers from,Europe,America and south Asia,supplying obsolete and hard-to-find components to meet their specific needs.

With the principle of “Quality Parts,Customers Priority,Honest Operation,and Considerate Service”,our business mainly focus on the distribution of electronic components. Line cards we deal with include Microchip,ALPS,ROHM,Xilinx,Pulse,ON,Everlight and Freescale. Main products comprise IC,Modules,Potentiometer,IC Socket,Relay,Connector.Our parts cover such applications as commercial,industrial, and automotives areas.

We are looking forward to setting up business relationship with you and hope to provide you with the best service and solution. Let us make a better world for our industry!



## Contact us

Tel: +86-755-8981 8866 Fax: +86-755-8427 6832

Email & Skype: info@chipsmall.com Web: www.chipsmall.com

Address: A1208, Overseas Decoration Building, #122 Zhenhua RD., Futian, Shenzhen, China



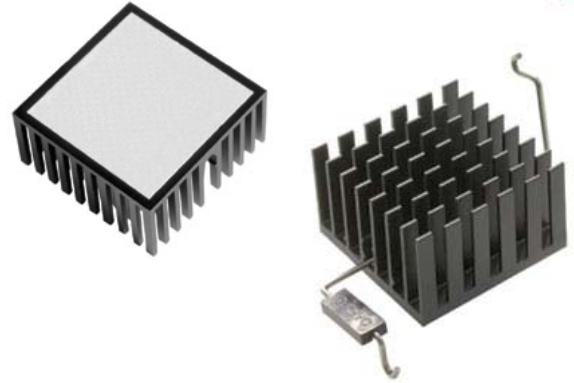


**BOARD LEVEL COOLING – 37432**

37432 is a series of square pin fin board level heat sinks designed to cool BGA and FPGA devices. Representative image only.

**ORDERING INFORMATION**

Part Number	Device Type
374324B00032G	BGA, FPGA
374324B00035G	BGA, FPGA
374324B60023G	BGA, FPGA



**HEAT SINK DETAILS**

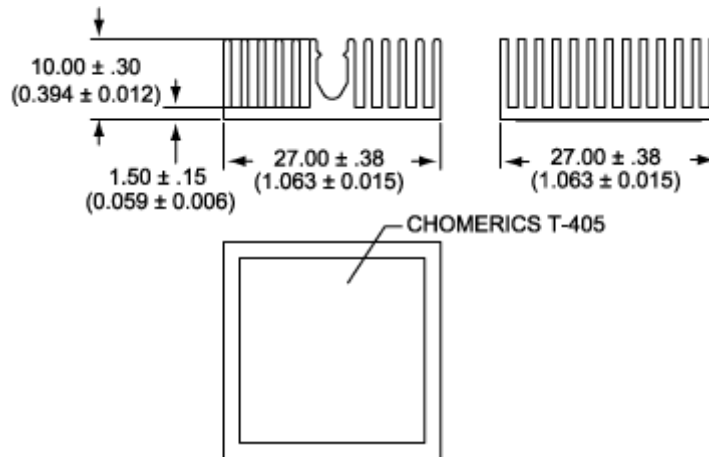
Property	Details
Material	Aluminum
Finish	Black Anodize
Device Attachment Options: 374324B00032G	Tape
Device Attachment Options: 374324B00035G	Tape
Device Attachment Options: 374324B60023G	-
Thermal Interface Material: 374324B00032G	T405R Chomerics Tape for Metal Surfaces
Thermal Interface Material: 374324B00035G	T411 Chomerics Tape for All Surfaces
Thermal Interface Material: 374324B60023G	T766 Chomerics Phase Change for All Surfaces

Property	Details
Heat Sink Width (mm)	27.00
Heat Sink Length (mm)	27.00
Heat Sink Height (mm)	10.00
Heat Sink Mounting Direction	Horizontal, Vertical

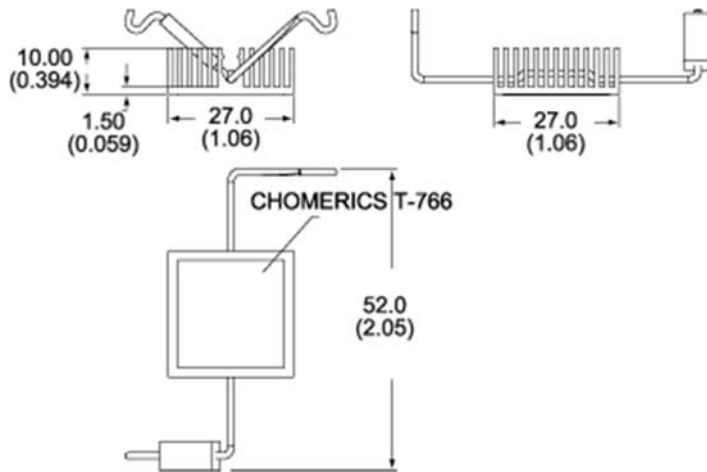
**MECHANICAL & PERFORMANCE**

Drawing dimensions are shown in mm, (in)

Part Numbers: 374324B00032G, 374324B00035G



Part Number: 374324B60023G



*Mounting Details:*

