



Chipsmall Limited consists of a professional team with an average of over 10 year of expertise in the distribution of electronic components. Based in Hongkong, we have already established firm and mutual-benefit business relationships with customers from,Europe,America and south Asia,supplying obsolete and hard-to-find components to meet their specific needs.

With the principle of “Quality Parts,Customers Priority,Honest Operation,and Considerate Service”,our business mainly focus on the distribution of electronic components. Line cards we deal with include Microchip,ALPS,ROHM,Xilinx,Pulse,ON,Everlight and Freescale. Main products comprise IC,Modules,Potentiometer,IC Socket,Relay,Connector.Our parts cover such applications as commercial,industrial, and automotives areas.

We are looking forward to setting up business relationship with you and hope to provide you with the best service and solution. Let us make a better world for our industry!



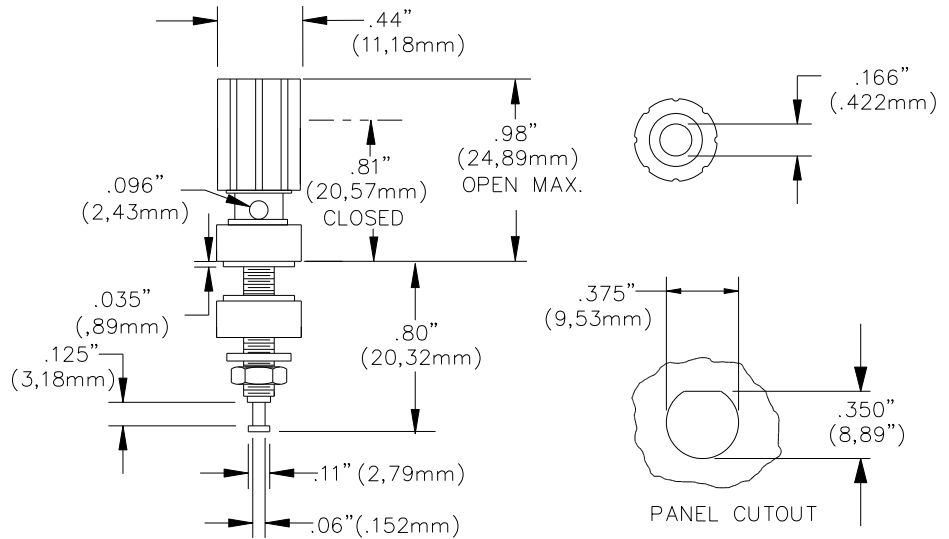
Contact us

Tel: +86-755-8981 8866 Fax: +86-755-8427 6832

Email & Skype: info@chipsmall.com Web: www.chipsmall.com

Address: A1208, Overseas Decoration Building, #122 Zhenhua RD., Futian, Shenzhen, China





FEATURES:

- ✓ Accepts standard banana plug, wire or spade lug.
- ✓ Mounts in panels from .070" to .250" (1.77mm to 6.35mm) thick.

MATERIALS:

Insulated Captive Thumb Nut: Brass

Insulation: Polycarbonate

Mounting Base: Polycarbonate

Insulator: Polycarbonate

Lockwasher: Nickel Plated Steel

Hex Nut: 1/4" #8-32 Nickel Plated Brass

Binding Post:

Finish: 3750 – Gold plated brass, 3760 – Bright tin plated brass, 3770 – Gold plated Tellurium Copper

RATINGS:

Operating Voltage: Hands free usage in controlled voltage environments: 2500 Vrms maximum. *For CE compliance: not intended for hand-held use at voltage above 33 Vrms/70 Vdc.*

Operating Temperature: +239°F (+115°C) Max.

Current: 15 Amperes

ORDERING INFORMATION:

Model: 3750-**Color** (Gold plated brass) Available in **Colors*** =: 0 (Black), 2 (Red), 3 (Orange), 4 (Yellow), 5 (Green), 6 (Blue), 9 (White)

Model: 3760-**Color** (Bright tin plated brass) Available in **Colors** =: 0 (Black), -2 (Red) 3 (Orange), 4 (Yellow), 5 (Green), 6 (Blue), 7 (Violet), 8 (Gray), 9 (White)

Model: 3770-**Color** (Gold Plated Tellurium Copper) **Colors*** =: 0 (Black), -2 (Red) 8 (Gray), 9 (White)

*Upon request other colors can be quoted.

All dimensions are in inches. Tolerances (except noted): .xx = ±.02" (.51 mm), .xxx = ±.005" (.127 mm).

All specifications are to the latest revisions. Specifications are subject to change without notice.

Registered trademarks are the property of their respective companies.

Sales: 800-490-2361 Fax: 888-403-3360 Technical Support: 800-241-2060 (technicalsupport@pomonatest.com)

For "Where to Buy" information, visit the Pomona web site at www.pomonaelectronics.com