



Chipsmall Limited consists of a professional team with an average of over 10 year of expertise in the distribution of electronic components. Based in Hongkong, we have already established firm and mutual-benefit business relationships with customers from,Europe,America and south Asia,supplying obsolete and hard-to-find components to meet their specific needs.

With the principle of “Quality Parts,Customers Priority,Honest Operation,and Considerate Service”,our business mainly focus on the distribution of electronic components. Line cards we deal with include Microchip,ALPS,ROHM,Xilinx,Pulse,ON,Everlight and Freescale. Main products comprise IC,Modules,Potentiometer,IC Socket,Relay,Connector.Our parts cover such applications as commercial,industrial, and automotives areas.

We are looking forward to setting up business relationship with you and hope to provide you with the best service and solution. Let us make a better world for our industry!



## Contact us

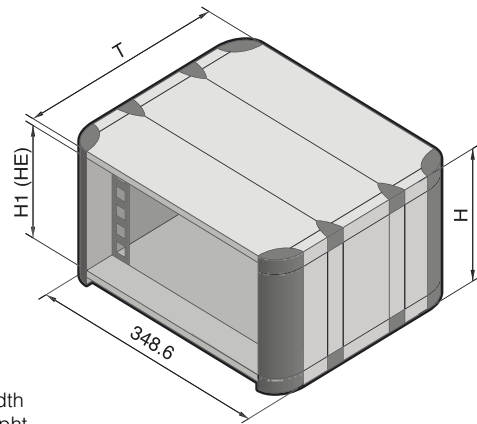
Tel: +86-755-8981 8866 Fax: +86-755-8427 6832

Email & Skype: info@chipsmall.com Web: www.chipsmall.com

Address: A1208, Overseas Decoration Building, #122 Zhenhua RD., Futian, Shenzhen, China



### RiCase 269.2 mm (½ 19")



B = Width  
T = Depth  
HE = U

#### Technical specifications:

Depth:  
300 mm, 420mm, 540 mm  
Installation width:  
269.2 mm (½ 19")  
Installation options:  
269.2 mm (½ 19")-slide-in  
equipment to IEC 60 297-3

#### Material/surface finish:

Covers:  
Extruded aluminum section/  
die-cast, spray-finished  
Side panels:  
Extruded aluminum section,  
spray-finished  
Corner caps: Plastic  
482.6 mm (19") mounting

bracket:  
Extruded aluminum section,  
clear-chromated

**Color:**  
RAL 7035 (pale grey)

**Decorative colors and  
corner caps:**  
RAL 5018 (turquoise)  
RAL 5012 (pale blue)  
RAL 7030 (stone grey)

**Protection category:**  
IP 42 for unvented version.

#### Supply includes:

2 side panels,  
2 covers,  
8 corner caps,  
8/12/16 cover caps  
(300/420/540 mm depth),  
4 482.6 mm (19") mounting  
brackets,  
4 threaded inserts,  
2 plain inserts,  
1 rear panel,  
Cases are supplied pre-  
assembled

#### Special sizes and colors available on request.

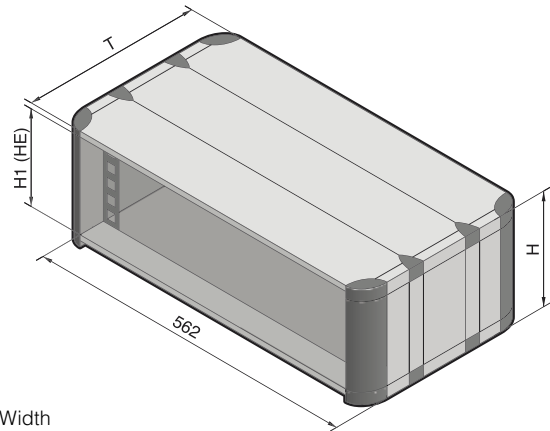
#### Property rights:

German registered design  
no. 96 09 457  
UK reg. design no. 2064682  
US design patents  
Des. 402,640 and  
Des. 423,464  
Japan. reg. designs  
no. 1045507 and 1045508

Enclosures for subrack width 269.2 mm (½ 19")	Packs of	1 U		2 U		3 U			4 U		Page
Height (H) mm		77.5	77.5	121.9	121.9	166.4	166.4	166.4	210.8	210.8	
Height H1 (U) mm		45.0	45.0	89.4	89.4	133.8	133.8	133.8	178.3	178.3	
Depth (T) mm		300.0	420.0	300.0	540.0	300.0	420.0	540.0	420.0	540.0	
<b>Unvented</b>											
Order No. RC, RAL 5018	1	3750.100	–	3750.200	–	3750.210	3750.300	–	3750.400	–	
Order No. RC, RAL 5012	1	3750.102	–	3750.202	–	3750.212	3750.302	–	3750.402	–	
Order No. RC, RAL 7030	1	3750.104	–	3750.204	–	3750.214	3750.304	–	3750.404	–	
<b>Vented</b>											
Order No. RC, RAL 5018	1	–	3750.110	–	3750.220	–	3750.350	3750.360	–	3750.450	
Order No. RC, RAL 5012	1	–	3750.112	–	3750.222	–	3750.352	3750.362	–	3750.452	
Order No. RC, RAL 7030	1	–	3750.114	–	3750.224	–	3750.354	3750.364	–	3750.454	
Weight (kg)	Vented/ unvented	3.3 3.4	4.2 4.4	3.7 3.8	5.4 6.1	4.1 4.2	5.2 5.4	6.1 6.8	5.8 6.0	6.8 7.5	
<b>Accessories</b>											
Carrying handles, horizontal	2	3751.250	3751.260	3751.250	3751.270	3751.250	3751.260	3751.270	3751.260	3751.270	83
Front door, vertically hinged	1	–	–	–	–	3751.300	3751.300	3751.300	3751.310	3751.310	84
Slide rails	2	3751.500	3751.510	3751.500	3751.520	3751.500	3751.510	3751.520	3751.510	3751.520	83
Mounting angles 482.6 mm (19")	2	3751.650	3751.650	3751.660	3751.660	3751.670	3751.670	3751.670	3751.680	3751.680	82
Threaded inserts with M4 thread	8	3751.700	3751.700	3751.710	3751.710	3751.720	3751.720	3751.720	3751.730	3751.730	82
End section	2	–	–	–	–	3751.900	3751.900	3751.900	3751.910	3751.910	83



### RiCase 482.6 mm (19")



B = Width  
T = Depth  
HE = U

#### Technical specifications:

Depth:  
300 mm, 420 mm, 540 mm  
Installation width:  
482.6 mm (19")  
Installation options:  
482.6 mm (19") slide-in  
equipment to IEC 60 297-3

#### Material/surface finish:

Covers:  
Extruded aluminum section/  
die-cast, spray-finished  
Side panels:  
Extruded aluminum section,

spray-finished  
Corner caps: Plastic  
482.6 mm (19") mounting  
bracket: extruded aluminium  
section, clear-chromated

**Color:**  
RAL 7035 (pale grey)

**Decorative colors and  
corner caps:**  
RAL 5018 (turquoise)  
RAL 5012 (pale blue)  
RAL 7030 (stone grey)

**Protection category:**  
IP 42 for unvented version.

**Supply includes:**  
2 side panels,  
2 covers,  
8 corner caps,  
8/12/16 cover caps  
(300/420/540 mm depth),  
4 482.6 mm (19") mounting  
brackets,  
4 threaded inserts,  
2 plain inserts  
Cases are supplied pre-  
assembled

**Special sizes and colors  
available on request.**

**Note:**  
For rear installation, order back  
panel/door separately.

Enclosure for subrack width 482.6 mm (19")	Packs of	3 U		4 U		6 U		7 U		9 U		12 U	Page	
<b>Height (H) mm</b>		166.4	166.4	210.8	210.8	299.7	299.7	299.7	344.2	344.2	433.1	433.1	566.5	
<b>Height H1 (U) mm</b>		133.8	133.8	178.3	178.3	267.2	267.2	267.2	311.7	311.7	400.6	400.6	534.0	
<b>Depth (T) mm</b>		300.0	420.0	300.0	420.0	300.0	420.0	540.0	420.0	540.0	420.0	540.0	540.0	
<b>Not vented</b>														
<b>Order No. RC, RAL 5018</b>	1	<b>3750.310</b>	<b>3750.320</b>	<b>3750.410</b>	<b>3750.420</b>	<b>3750.600</b>	<b>3750.610</b>	<b>3750.620</b>	<b>3750.700</b>	<b>3750.710</b>	<b>3750.900</b>	<b>3750.910</b>	<b>3750.000</b>	
<b>Order No. RC, RAL 5012</b>	1	<b>3750.312</b>	<b>3750.322</b>	<b>3750.412</b>	<b>3750.422</b>	<b>3750.602</b>	<b>3750.612</b>	<b>3750.622</b>	<b>3750.702</b>	<b>3750.712</b>	<b>3750.902</b>	<b>3750.912</b>	<b>3750.002</b>	
<b>Order No. RC, RAL 7030</b>	1	<b>3750.314</b>	<b>3750.324</b>	<b>3750.414</b>	<b>3750.424</b>	<b>3750.604</b>	<b>3750.614</b>	<b>3750.624</b>	<b>3750.704</b>	<b>3750.714</b>	<b>3750.904</b>	<b>3750.914</b>	<b>3750.004</b>	
<b>Vented</b>														
<b>Order No. RC, RAL 5018</b>	1	<b>3750.330</b>	<b>3750.340</b>	<b>3750.430</b>	<b>3750.440</b>	<b>3750.630</b>	<b>3750.640</b>	<b>3750.650</b>	<b>3750.720</b>	<b>3750.730</b>	<b>3750.920</b>	<b>3750.930</b>	<b>3750.030</b>	
<b>Order No. RC, RAL 5012</b>	1	<b>3750.332</b>	<b>3750.342</b>	<b>3750.432</b>	<b>3750.442</b>	<b>3750.632</b>	<b>3750.642</b>	<b>3750.652</b>	<b>3750.722</b>	<b>3750.732</b>	<b>3750.922</b>	<b>3750.932</b>	<b>3750.032</b>	
<b>Order No. RC, RAL 7030</b>	1	<b>3750.334</b>	<b>3750.344</b>	<b>3750.434</b>	<b>3750.444</b>	<b>3750.634</b>	<b>3750.644</b>	<b>3750.654</b>	<b>3750.724</b>	<b>3750.734</b>	<b>3750.924</b>	<b>3750.934</b>	<b>3750.034</b>	
<b>Weight (kg)</b>	Vented/ unvented	5.3 5.4	6.9 7.1	5.7 7.2	7.5 7.7	6.5 6.6	8.5 8.7	10.8 12.2	9.1 9.3	11.5 12.9	10.1 10.3	12.9 14.3	15.0 16.4	
<b>Accessories</b>														
Carrying handles, horizontal	2	<b>3751.250</b>	<b>3751.260</b>	<b>3751.250</b>	<b>3751.260</b>	<b>3751.250</b>	<b>3751.260</b>	<b>3751.270</b>	<b>3751.260</b>	<b>3751.270</b>	<b>3751.260</b>	<b>3751.270</b>	<b>3751.270</b>	83
Back panel, screw-fastened	1	<b>3751.600</b>	<b>3751.600</b>	<b>3751.610</b>	<b>3751.610</b>	<b>3751.620</b>	<b>3751.620</b>	<b>3751.620</b>	<b>3751.630</b>	<b>3751.630</b>	<b>3751.530</b>	<b>3751.530</b>	<b>3751.540</b>	85
Rear door, vertically hinged	1	<b>3751.100</b>	<b>3751.100</b>	<b>3751.110</b>	<b>3751.110</b>	<b>3751.120</b>	<b>3751.120</b>	<b>3751.120</b>	<b>3751.130</b>	<b>3751.130</b>	-	-	-	85
Rear door for fan installation	1	<b>3751.150</b>	<b>3751.150</b>	<b>3751.160</b>	<b>3751.160</b>	<b>3751.170</b>	<b>3751.170</b>	<b>3751.170</b>	<b>3751.180</b>	<b>3751.180</b>	-	-	-	85
Front door, vertically hinged	1	<b>3751.320</b>	<b>3751.320</b>	<b>3751.330</b>	<b>3751.330</b>	<b>3751.340</b>	<b>3751.340</b>	<b>3751.340</b>	<b>3751.350</b>	<b>3751.350</b>	-	-	-	84
Slide rails	2	<b>3751.500</b>	<b>3751.510</b>	<b>3751.500</b>	<b>3751.510</b>	<b>3751.500</b>	<b>3751.510</b>	<b>3751.520</b>	<b>3751.510</b>	<b>3751.520</b>	<b>3751.510</b>	<b>3751.510</b>	<b>3751.520</b>	83
Mounting angles 482.6 mm (19")	2	<b>3751.670</b>	<b>3751.670</b>	<b>3751.680</b>	<b>3751.680</b>	<b>3751.690</b>	<b>3751.690</b>	<b>3751.690</b>	<b>3751.640</b>	<b>3751.640</b>	<b>3751.780</b>	<b>3751.780</b>	<b>3751.790</b>	82
Threaded inserts with M4 thread	8	<b>3751.720</b>	<b>3751.720</b>	<b>3751.730</b>	<b>3751.730</b>	<b>3751.740</b>	<b>3751.740</b>	<b>3751.740</b>	<b>3751.750</b>	<b>3751.750</b>	<b>3751.760</b>	<b>3751.760</b>	<b>3751.770</b>	82
End section	2	<b>3751.900</b>	<b>3751.900</b>	<b>3751.910</b>	<b>3751.910</b>	<b>3751.920</b>	<b>3751.920</b>	<b>3751.920</b>	<b>3751.930</b>	<b>3751.930</b>	<b>3751.820</b>	<b>3751.820</b>	<b>3751.830</b>	83