



Chipsmall Limited consists of a professional team with an average of over 10 year of expertise in the distribution of electronic components. Based in Hongkong, we have already established firm and mutual-benefit business relationships with customers from,Europe,America and south Asia,supplying obsolete and hard-to-find components to meet their specific needs.

With the principle of “Quality Parts,Customers Priority,Honest Operation,and Considerate Service”,our business mainly focus on the distribution of electronic components. Line cards we deal with include Microchip,ALPS,ROHM,Xilinx,Pulse,ON,Everlight and Freescale. Main products comprise IC,Modules,Potentiometer,IC Socket,Relay,Connector.Our parts cover such applications as commercial,industrial, and automotives areas.

We are looking forward to setting up business relationship with you and hope to provide you with the best service and solution. Let us make a better world for our industry!



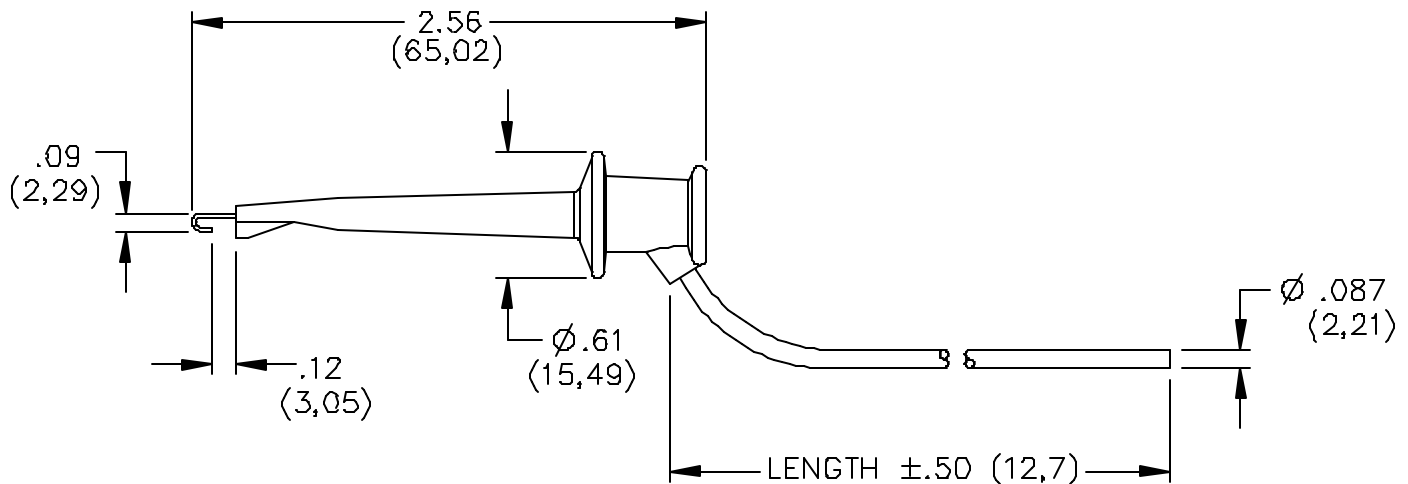
Contact us

Tel: +86-755-8981 8866 Fax: +86-755-8427 6832

Email & Skype: info@chipsmall.com Web: www.chipsmall.com

Address: A1208, Overseas Decoration Building, #122 Zhenhua RD., Futian, Shenzhen, China





FEATURES:

- Minigrabber® Test Clip (one end only) allows customization of the open end.
- Grabber attaches to terminals sizes up to .060" (1,5mm).
- Hook material is gold plated Beryllium Copper for superb strength and low contact resistance to ensure signal integrity.
- For added safety, the grabber body material is fire retardant Nylon 6.
- Stainless steel grabber compression spring resists corrosion and retains a firm feel throughout the life of the grabber.
- Flexible 20 gauge multi-stranded wire is molded directly to the grabber actuator cap and pin tip plug for durability.

MATERIALS:

Grabber: Contact, Beryllium Copper, Gold Plated
Spring, Stainless Steel

Insulation: Nylon 6 (Fire Retardant UL94V-0), Matches Wire Color

Wire: 20 AWG, Stranding 41 x 36 copper, PVC Insulated, 0.087" (2,21 mm) O.D.

Color per part number

Marking: Pomona 3780-XX-*

RATINGS:

Operating Voltage: Hand-held Testing: 30VAC/60VDC Max.

Hand Free Testing in controlled Voltage Environment: 300

Operating Temperature: +102°C (+216°F) Max.

Current: 5 Amperes Max.

ORDERING INFORMATION: Model 3780-XX-*

XX = Length in inches, Standard Length: 60" (152,40 cm). Additional lengths can be quoted upon request.

* = Color, Std. Colors: -0 Black, -2 Red

Ordering Example: 3780-60-2, Minigrabber® Test Clip (One End Only), Wire Length 60", Color: Red

All dimensions are in inches. Tolerances (except noted): .xx = ±.02" (.51 mm), .xxx = ± .005" (.127 mm).

All specifications are to the latest revisions. Specifications are subject to change without notice.

Registered trademarks are the property of their respective companies. Made in USA